



**the complete Internet Protocol system:
simple and versatile**

Installer manual

www.comelitgroup.com



Fonts are (c) Bitstream (see below). DejaVu changes are in public domain.
 Glyphs imported from Arev fonts are (c) Tavmjong Bah (see below)
 Bitstream Vera Fonts Copyright

Copyright (c) 2003 by Bitstream, Inc. All Rights Reserved. Bitstream Vera is a trademark of Bitstream, Inc.

Permission is hereby granted, free of charge, to any person obtaining a copy of the fonts accompanying this license ("Fonts") and associated documentation files ("Font Software"), to reproduce and distribute the Font Software, including without limitation the rights to use, copy, merge, publish, distribute, and/or sell copies of the Font Software, and to permit persons to whom the Font Software is furnished to do so, subject to the following conditions:

The above copyright and trademark notices and this permission notice shall be included in all copies of one or more of the Font Software typefaces.

The Font Software may be modified, altered, or added to, and in particular the designs of glyphs or characters in the Fonts may be modified and additional glyphs or characters may be added to the Fonts, only if the fonts are renamed to names not containing either the words "Bitstream" or the word "Vera".

This License becomes null and void to the extent applicable to Fonts or Font Software that has been modified and is distributed under the "Bitstream Vera" names.

The Font Software may be sold as part of a larger software package but no copy of one or more of the Font Software typefaces may be sold by itself.

THE FONT SOFTWARE IS PROVIDED "AS IS", WITHOUT WARRANTY OF ANY KIND, EXPRESS OR IMPLIED, INCLUDING BUT NOT LIMITED TO ANY WARRANTIES OF MERCHANTABILITY, FITNESS FOR A PARTICULAR PURPOSE AND NONINFRINGEMENT OF COPYRIGHT, PATENT, TRADEMARK, OR OTHER RIGHT. IN NO EVENT SHALL BITSTREAM OR THE GNOME FOUNDATION BE LIABLE FOR ANY CLAIM, DAMAGES OR OTHER LIABILITY, INCLUDING ANY GENERAL, SPECIAL, INDIRECT, INCIDENTAL, OR CONSEQUENTIAL DAMAGES, WHETHER IN AN ACTION OF CONTRACT, TORT OR OTHERWISE, ARISING FROM, OUT OF THE USE OR INABILITY TO USE THE FONT SOFTWARE OR FROM OTHER DEALINGS IN THE FONT SOFTWARE.

Except as contained in this notice, the names of Gnome, the Gnome Foundation, and Bitstream Inc., shall not be used in advertising or otherwise to promote the sale, use or other dealings in this Font Software without prior written authorization from the Gnome Foundation or Bitstream Inc., respectively. For further information, contact: fonts at gnome dot org.

Arev Fonts Copyright

Copyright (c) 2006 by Tavmjong Bah. All Rights Reserved.

Permission is hereby granted, free of charge, to any person obtaining a copy of the fonts accompanying this license ("Fonts") and associated documentation files (the "Font Software"), to reproduce and distribute the modifications to the Bitstream Vera Font Software, including without limitation the rights to use, copy, merge, publish, distribute, and/or sell copies of the Font Software, and to permit persons to whom the Font Software is furnished to do so, subject to the following conditions:
 is furnished to do so, subject to the following conditions:

The above copyright and trademark notices and this permission notice shall be included in all copies of one or more of the Font Software typefaces.

The Font Software may be modified, altered, or added to, and in particular the designs of glyphs or characters in the Fonts may be modified and additional glyphs or characters may be added to the Fonts, only if the fonts are renamed to names not containing either the words "Tavmjong Bah" or the word "Arev".

This License becomes null and void to the extent applicable to Fonts or Font Software that has been modified and is distributed under the "Tavmjong Bah Arev" names.

The Font Software may be sold as part of a larger software package but no copy of one or more of the Font Software typefaces may be sold by itself.

THE FONT SOFTWARE IS PROVIDED "AS IS", WITHOUT WARRANTY OF ANY KIND, EXPRESS OR IMPLIED, INCLUDING BUT NOT LIMITED TO ANY WARRANTIES OF MERCHANTABILITY, FITNESS FOR A PARTICULAR PURPOSE AND NONINFRINGEMENT OF COPYRIGHT, PATENT, TRADEMARK, OR OTHER RIGHT. IN NO EVENT SHALL TAVMJONG BAH BE LIABLE FOR ANY CLAIM, DAMAGES OR OTHER LIABILITY, INCLUDING ANY GENERAL, SPECIAL, INDIRECT, INCIDENTAL, OR CONSEQUENTIAL DAMAGES, WHETHER IN AN ACTION OF CONTRACT, TORT OR OTHERWISE, ARISING FROM, OUT OF THE USE OR INABILITY TO USE THE FONT SOFTWARE OR FROM OTHER DEALINGS IN THE FONT SOFTWARE.

Except as contained in this notice, the name of Tavmjong Bah shall not be used in advertising or otherwise to promote the sale, use or other dealings in this Font Software without prior written authorization from Tavmjong Bah. For further information, contact: tavmjong @ free. fr.

Warning

- Install the equipment by carefully following the instructions given by the manufacturer and in compliance with the standards in force. In mains-powered devices, do not tamper with the internal elements offering protection against short circuits and overcurrents.
- All the equipment must only be used for the purpose it was designed for. **Comelit Group S.p.A. declines any responsibility for improper use of the apparatus, for any alterations made by others for any reason or for the use of non-original accessories or materials.**
- All the products comply with the requirements of the 2014/30/UE, 2014/35/UE directives, as certified by the CE mark they carry.
- Do not route the riser wires in proximity to power supply cables (230/400V).
- Installation, mounting and assistance procedures for electrical devices must only be performed by specialised electricians.
- The electrical system of the building must be fitted with an (easily accessible) omnipolar mains switch with a contact opening of at least 3 mm, which is capable of cutting off the power supply for mains-powered devices.
- Cut off the power supply before carrying out any maintenance work.
- Place the protection back over the terminals and close the inspection door after every procedure.
- The device conforms to standard EN60950-1 relating to the safety of information technology equipment.
- Do not press and hold the audio hook while the handset is lifted.

TABLE OF CONTENTS

Chapter 1: Introduction to the VIP system.....	5
What is the VIP system?.....	5
Main features	5
General structure of a VIP system.....	5
Chapter 2: Description of products and accessories	6
Software	6
VIP Manager Art. 1449 VIP system configuration software	6
Power supply units and system connection accessories.....	6
VIP system riser power supply unit 120 W Art. 1441A.....	6
VIP system riser power supply unit 100 W Art. 1441	6
Power supply unit Art. 1395 / Art. 1595 for external units	7
VIP system POE power supply unit for monitor Art. 1451	7
Switch Art. 1440.....	7
VIP system riser signal repeater module Art. 1447.....	8
VIP system device barcode reader Art. 1450	8
Internal units.....	9
Planux backplate Art. 6231 and Planux monitor Art. 6202.....	9
7Stelle monitor Art. 6501	10
Smart monitor Art. 6304.....	10
Easycom door-entry phone Art. 6203	11
VIP switchboard Art. 1952	11
Powercom series external units	12
Powercom module Art. 3331/0 - 1 - 2 for audio/video units	12
Powercom series colour audio/video unit for VIP system Art. 4662C.....	12
Powercom call button module Art. 3337/3 - 4 - 6.....	12
Powercom series backlit indication module Art. 3327.....	13
Powercom series digital call module for VIP system Art. 3370.....	13
IKall series external units.....	14
IKall module Art. 33400 - 33401 - 33402 for audio units.....	14

IKall module Art. 33410 - 33411 - 33412 for audio/video units	14
IKall series audio unit for VIP system Art. 1682.....	14
IKall series colour audio/video unit for VIP system Art. 4682C.....	15
IKall call button module Art. 33433 - 33434 - 33436.....	15
IKall series digital call module for VIP system Art. 3360A.....	15
Vandalcom series external units	16
Vandalcom series digital call module for VIP system Art. 3270, for Powercom external unit Art. 4662C	16
Vandalcom series digital call module for VIP system Art. 3070B, for Powercom external units Art. 4662C and IKall external units Art. 4682C.....	16
Vandalcom series digital call module for VIP system Art. 3272, for Powercom external unit Art. 4662C	17
Vandalcom series digital call module for VIP system Art. 3072B, for Powercom external units Art. 4662C and IKall external units Art. 4682C.....	17
Module Art. 32681/0 -1 - 2 designed for a/v units, IKall series.....	18
Module Art. 3269/0 - 1 - 2 designed for a/v units, Powercom series	18
Module Art. 32621/0 -1 - 2 designed for audio units, IKall series	18
Vandalcom series 4-button module Art. 3064/C for VIP system	18
VIP system accessories	19
Remote camera module Art. 1445	19
VIP system actuator relay module Art. 1443.....	20
PAL / NTSC video output module Art. 1446.....	21
Expansion module Art. SK9071	21
Chapter 3: System preparation and specifications.....	22
Connection distances.....	22
Connection distances from power supply unit Art. 1395 / Art. 1595 to external unit.....	22
Connection distances between external unit and Switch Art. 1440	22
Connection distances between 2 Switches Art. 1440	22
Connection distances from Switch Art. 1440 / Repeater Art. 1447 to door-entry phones / door entry monitors.....	23
Connection distances from Switch Art. 1440 / Repeater Art. 1447 to switchboard Art. 1952	23
Expanding a system using repeater Art. 1447	23
Guide to fitting a UTP / STP RJ45 Direct network cable.....	24
Chapter 4: Mounting external units and internal units	27
Mounting Powercom series external units	28
Mounting external unit Art. 4662C and additional buttons Art. 3337/3 - 4 - 6	28
Mounting actuator module Art. 3327	29
Mounting digital directory Art. 3370	29
Mounting IKall series external units.....	30
Mounting external unit Art. 4682C and additional buttons Art. 33433 - 33434 - 33436	30
Mounting digital directory Art. 3360A	31
Mounting Vandalcom series external units	32
Connecting audio-video unit Art. 4662C for use with buttons on Vandalcom external unit Art. 3269/1 - 2	32
Connecting audio unit 1682 or audio-video unit Art. 4682C for use with buttons on Vandalcom external unit Art. 32621/1 - 2 and Art. 32681/1 - 2	33
Mounting audio-video unit Art. 4662C or 4682C for use with additional buttons Art. 3064/C	34
Mounting digital directories Art. 3270 - 3272 with Powercom external unit Art. 4662C	35
Mounting digital directories Art. 3070B - 3072B with IKall external unit Art. 4682C.....	36
Mounting internal units	37
Mounting Planux monitor Art. 6202 with flush-mounted box Art. 6117	37
Mounting Planux monitor Art. 6202 with wall bracket Art. 6120.....	38
Mounting Sette Stelle monitor Art. 6501	39
Mounting 7Stelle monitor Art. 6501 with flush-mounted box Art. 6517	40
Mounting Easycom monitor Art. 6203	41
Mounting Smart monitor Art. 6304 with wall bracket Art. 6320	42
Mounting Smart monitor Art. 6304 with flush-mounted box Art. 6117.....	43
Chapter 5: Installation programming	44
Mac Address.....	44
VIP code	44
Reset procedure for external unit Art. 4662C and 4682C.....	44
Manually programming buttons on external unit Art. 4662C	46
Manually programming buttons on external unit Art. 4682C.....	47
Assigning module index to additional button products Art. 3337/3 - 4 - 6	48
Assigning module index to additional button products Art. 33433 - 33434 - 33436	49
Programming internal units	50
Planux monitor Art. 6202 and Smart monitor Art. 6304 (only with optional buttons Art. 6332)	50
Accessing the installer menu.....	50
Setting the menu language	50
Programming the VIP code for main Planux monitors	51
Programming the VIP code for secondary Planux monitors.....	51
Configuring 1 - 2 or Self-ignition buttons	52
Configuring the key button	53
Configuring the Privacy / Doctor button.....	54
Configuring the intercom directory	54
Configuring the self-ignition directory	55
Configuring the Actuator Directory	56
Setting the Door Open function	57
Setting the Alarm function	58
Setting the ringtone repetition	58
Setting call times	59
Setting automatic answer.....	59
Video memory records always	60
Activate output.....	60
Call divert	61
Reset configuration	61

7Stelle monitor Art. 6501	62
Accessing the installer menu	62
Configuring buttons	62
Configuring functions	62
Intercom function	62
Self-ignition function	62
Alarm function	63
Lock-release function	63
Actuator function	63
Activate output function	63
Configuring the monitor	64
VIP address	64
About	64
Reset configuration	64
Special Settings	64
Actuator Directory	64
Camera Directory	65
Intercom Directory	65
Set ringtone repetition	65
Set call times	65
Call divert	66
Alarms	66
Door open	66
Activate output	66
Automatic answer	66
Video memory records always	66
Porter switchboard Art. 1952	67
Accessing the installer menu	67
Setting the VIP Address	67
Setting the associated camera	67
Setting the associated video output	67
Programming the self-ignition key	68
Programming the lock-release key	68
Activating / deactivating the OFF key	68
Setting the call times	69
Setting call divert	69
Setting activations on call	69
Chapter 6: Wiring diagrams	70
Connecting Powercom call button module Art. 3337/3-4-6	70
Connecting Powercom series digital call module Art. 3370	71
Connecting backlit module with actuator relay Art. 3327	72
Connecting IKall call button module Art. 3343/3-4-6	73
Connecting IKall series audio unit for VIP system Art. 1682	74
Connecting IKall series digital call module Art. 3360A	75
Connecting Vandalcom series digital call modules Art. 3070B and Art. 3072B with IKall series external units Art. 4682C or 1682	76
Connecting Vandalcom series digital call modules Art. 3270 and Art. 3272 with Powercom series external unit Art. 4662C	77
Connecting Art. 3064/C with audio-video unit 4682C or audio unit Art. 1682	78
Connecting remote camera module Art. 1445	79
Connecting PAL / NTSC module Art. 1446	80
Connecting repeater module Art. 1447	81
Connecting IO module Art. 1443 and expansion device Art. SK9071	82
Request to exit (RTE) button input variant	83
Planux VIP output and input variant	83
7Stelle output and input variant	84
Smart output and input variant	84
Easycom output and input variant	85
Connection of Vandalcom nameplate lighting lamp with audio unit Art. 1682 or audio-video unit Art. 4682C (Ikall)	85
Connecting Planux VIP additional ringtone variant	86
Connecting 7Stelle additional ringtone variant	86
Connecting Smart additional ringtone variant	86
Connecting Easycom additional ringtone variant	86

Chapter 1: Introduction to the VIP system

What is the VIP system?

The VIP system is the new IP video entry phone system combining powerful performance with ease of installation. The VIP network, based on a connection via Ethernet cable, connects an infinite number of users in simultaneous conversations and with no distance restrictions. It integrates a video entry phone system, burglar alarm, video surveillance, home automation and access control functions into a single system. The VIP System can be used to create either a dedicated, proprietary network or integrated into an existing LAN, creating a video entry phone system that runs in parallel with other existing systems.

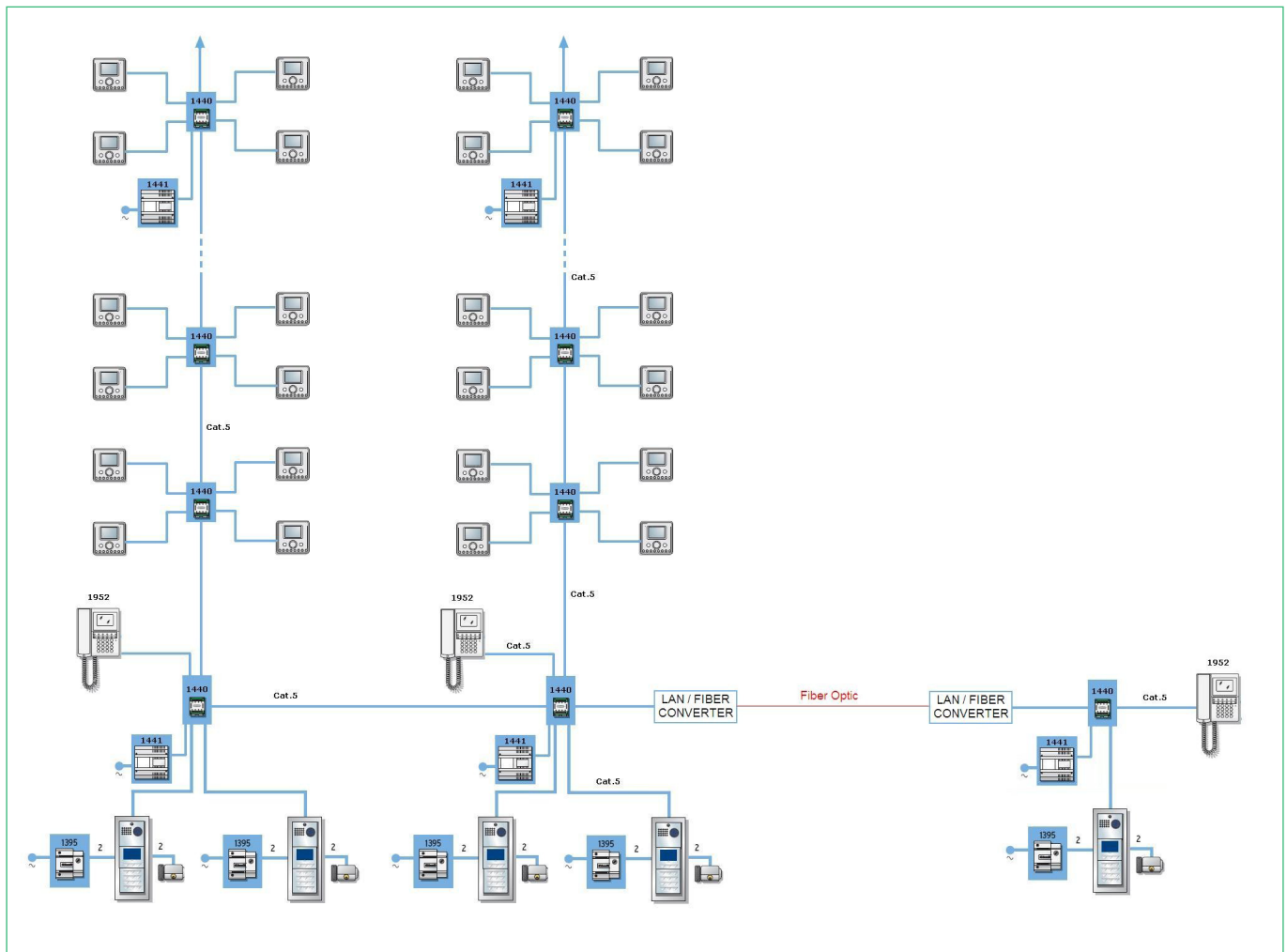
Main features

The VIP System delivers optimal performance across an intelligible infrastructure, untangling the communication, control, security, automation and monitoring apparatus needed for access and building control.

- Multiple simultaneous audio-video conversations
- An unlimited number of users and devices can be plugged into the network
- No limits on the number of connected entrance panels, internal units, switchboards and cameras
- All network devices are connected to the network via RJ45 plug
- Simultaneous communication capabilities between all network users
- Memovideo function installed as standard on all monitors
- Interface management for lifts and additional floors
- Integrated access control and video surveillance options
- Alarms or panic messages can be sent to porter switchboards
- Audio and text messages between users and switchboards
- "Follow me" and data transfer to external applications (PC or telephone)
- Remote home automation management

General structure of a VIP system

Below is a synoptic diagram providing a general illustration as to how a VIP system can be laid out.



The optimal freedom offered by the VIP system means that networks can be created using cascade or branch connections, with no restrictions.

Chapter 2: Description of products and accessories

Software

VIP Manager Art. 1449 VIP system configuration software

CD-ROM software for PC installation, for the programming and configuration of all wired devices in the system. Also allows button programming and management of names in external unit directories. Includes a special cable for connection between switch 1440 and PC.

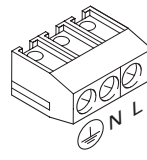
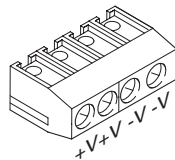
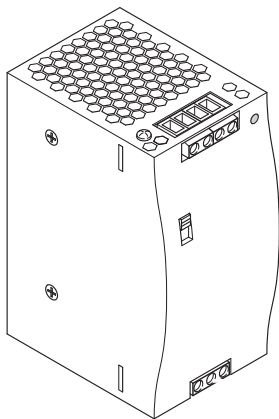


When connecting a PC to a VIP system, the special cable supplied with software Art. 1449 must be used

Power supply units and system connection accessories

VIP system riser power supply unit 120 W Art. 1441A

Power supply unit Art. 1441A, to power all accessories connected to the riser (not including external units).



Terminal blocks for connection

+V +V -V -V: Riser power supply terminals.
L N: Alternating 230 V~ network terminals.
: Earth connection terminal.

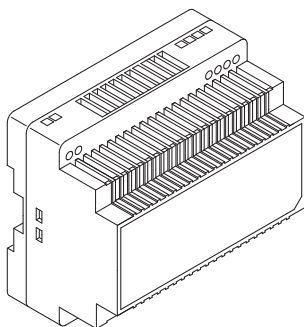
Technical characteristics	
Input voltage	100 - 240 V~ (3 A)
Output voltage	48 V DC (2.5 A)
Power	120 W
Frequency	50/60 Hz
Temperature thresholds	-30°C / +55°C
Dimensions	4 DIN modules / H: 12.5 cm W: 6.5 cm D: 10.7 cm



- Install the equipment by carefully following the instructions given by the manufacturer and in compliance with the standards in force. Do not tamper with the internal elements offering protection against short circuits and overcurrents.
- The electrical system of the building must be fitted with an (easily accessible) omnipolar mains switch with a contact opening of at least 3 mm, which is capable of cutting off the power supply of the device.

VIP system riser power supply unit 100 W Art. 1441

Power supply unit Art. 1441, to power all accessories connected to the riser (not including external units).



Technical characteristics	
Input voltage	100 - 240 V~ (3 A)
Output voltage	56 V DC (1.8 A)
Power	100 W
Frequency	50/60 Hz
Temperature thresholds	-30 +55
Dimensions	6 DIN modules / H: 9.3 cm W: 9.9 cm D: 5.3 cm

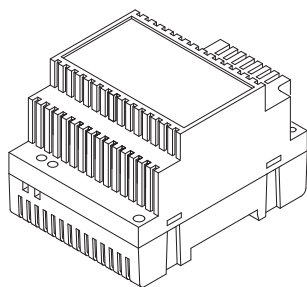
Terminal blocks for connection

+V -V: Riser power supply terminals.
L N: Alternating 230 V~ network terminals.



- Install the equipment by carefully following the instructions given by the manufacturer and in compliance with the standards in force. Do not tamper with the internal elements offering protection against short circuits and overcurrents.
- The electrical system of the building must be fitted with an (easily accessible) omnipolar mains switch with a contact opening of at least 3 mm, which is capable of cutting off the power supply of the device.

Power supply unit Art. 1395 / Art. 1595 for external units



Technical characteristics	Art. 1395	Art. 1595
Input voltage	207 - 257 V~ (3 A)	120-230 V~ (0,8 A)
Output voltage	12 V~ (1,8 A)	33 V \pm 3% (0,5 A)
Power	60 W	
Frequency	50/60 Hz	
Temperature thresholds	-20 / +40°C	
Dimensions	4 DIN modules / H: 9 cm W: 7.15 cm D: 6.2 cm	

Terminal blocks for connection Art. 1395

230V ~: Alternating 230 Vac network terminals.

0 12~: Power supply output terminals.

Terminal blocks for connection Art. 1595

120-230 V ~: Power supply terminals.

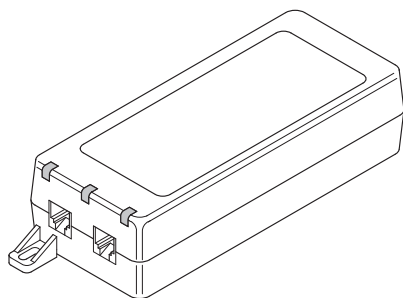
+ -: Power supply output terminals.



- Install the equipment by carefully following the instructions given by the manufacturer and in compliance with the standards in force. Do not tamper with the internal elements offering protection against short circuits and overcurrents.
- The electrical system of the building must be fitted with an (easily accessible) omnipolar mains switch with a contact opening of at least 3 mm, which is capable of cutting off the power supply of the device.

VIP system POE power supply unit for monitor Art. 1451

The power supply unit converts an Ethernet connection into a POE-type connection supplying an internal unit. The power supply unit is necessary if VIP devices (door entry monitors / door-entry phones) are installed on existing Ethernet networks with non-POE (Power Over Ethernet) connections.



Technical characteristics	
Input voltage	100 - 240 V~ (0.95 A)
Output voltage	56 V \pm (0.35 A)
Power	33.6 W
Frequency	50 - 60 Hz
Temperature thresholds	-20 / +50°C
Dimensions	H: 3.7 cm W: 6.5 cm D: 16.4 cm

Indicator LED

ON: Power supply enabled indication

FAULT: Error indication

CONNECT: Ethernet cable connected to OUT port indication

Ethernet ports

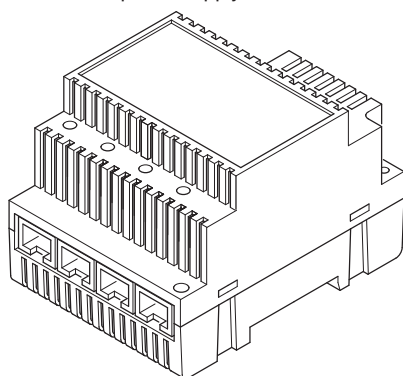
OUT: for the connection of internal units

IN: for the connection of a non-POE Ethernet network

Switch Art. 1440

The Ethernet Switch module Art. 1440 performs two main functions:

- Directing data VIP system data packages.
- Provide a power supply for the extensions connected to it and to any switch/repeaters connected in cascade.



Technical characteristics	
Absorption	Min. 0.7 W Max. 2.6 W
Power supply	36/57 V \pm 3A Max.
Temperature thresholds	-30 / +55°C
Dimensions	4 DIN modules / H: 6.2 cm W: 7.2 cm D: 9 cm

Ethernet port status indicator LED

Lit steadily: port in standby

Flashing: data passing through the port

Off: port not connected

IN1 IN2 100 Mb riser Ethernet ports. Used for the connection of distributors, such as repeaters, switches, internal units etc.

OUT1 OUT2 OUT3 OUT4: 10 Mb extension Ethernet port. Used for the connection of distributors, such as repeaters, switches, internal units etc.

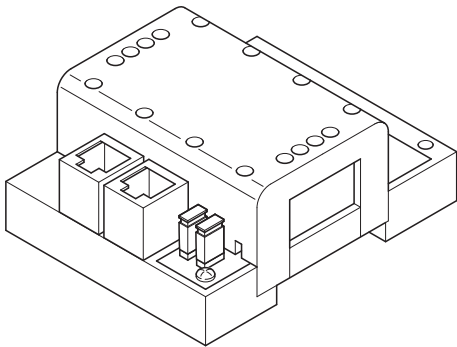
+ -: External power supply terminals. Connection of power supply unit Art. 1441 or Art. 1441A



For correct operation of the system protecting Art. 1440, the riser must be connected with input on port IN1 and output on port IN2

VIP system riser signal repeater module Art. 1447

The repeater module Art. 1447 is used to extend networks, making it possible to connect a VIP device at a greater distance than would be possible using a single section of point-to-point Ethernet and, if necessary, to connect two risers to each other.



Technical characteristics	
Absorption	Min. 0.7 W Max. 2.6 W
Power supply	36/57 Vdc 3A Max.
Temperature thresholds	-30 / +55°C
Dimensions	4 DIN modules / H: 3.6 cm W: 6.5 cm D: 8.3 cm

1. Ethernet In port
2. Ethernet Out port
3. JP2 Jumper: negative pole separation (GND)
4. JP1 Jumper: positive pole separation (+)

The two Ethernet ports are polarised as an IN input port and an OUT output port. In general, the repeater will receive power from the input port and supply power to the remote device (door-entry phone, switch, repeater) via the output port. This distinction was made to interrupt power supply propagation between the In port and the Out port by removing Jumpers JP1 and JP2, in order to separate - for example - the power supplies to two risers. The device even operates correctly if the output port is switched with the input port. In this case, however, it will no longer be possible to interrupt power supply propagation.

VIP system device barcode reader Art. 1450

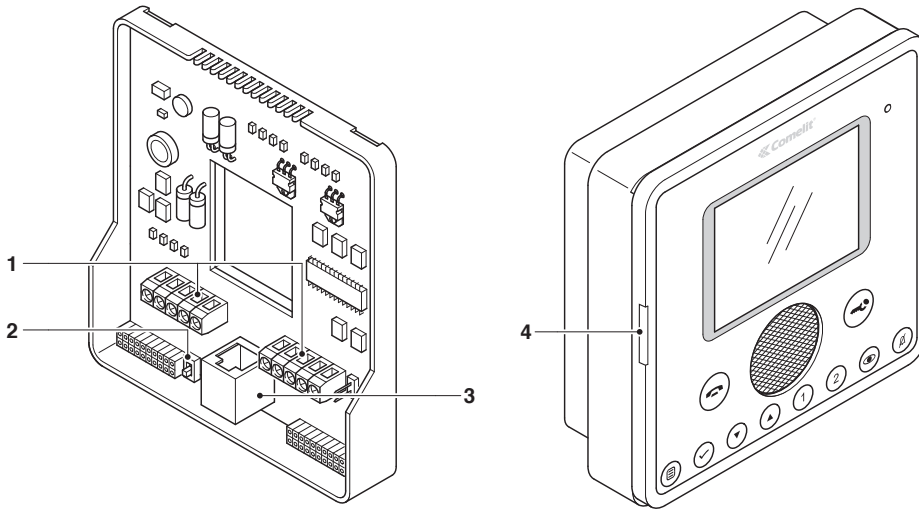
Barcode reader for identifying the unique code of the devices making up the VIP system, for example: door-entry phones, door entry monitors, external units, actuators, etc...



Technical characteristics	
Power supply	USB

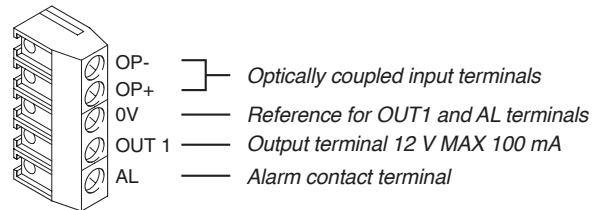
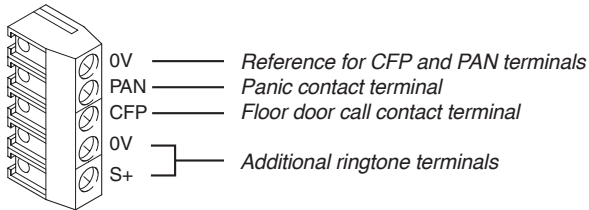
Internal units

Planux backplate Art. 6231 and Planux monitor Art. 6202



Technical characteristics	
Absorption	Min. 0.7 W Max. 2.6 W (value for complete backplate + monitor product)
Power supply	36/57 Vdc 3A Max.
Dimensions	H: 6.2 cm W: 7.2 cm D: 9 cm

1. Connection terminals

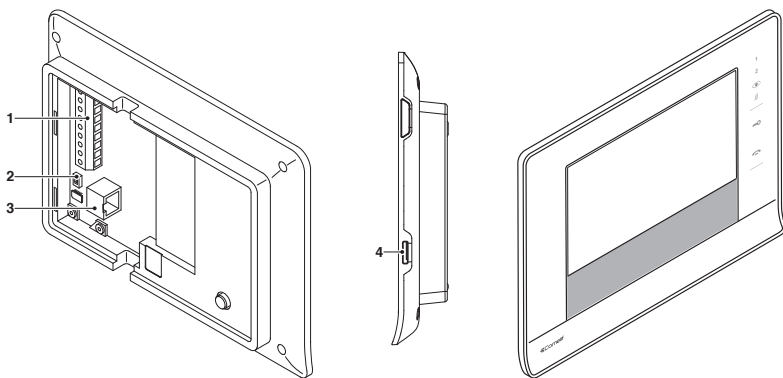


- 2. VIP - POE selector for fitting to the latter if the internal unit is used on a standard - not VIP - PoE network
- 3. RJ45 Ethernet connector for connecting the internal unit to the VIP network
- 4. SD Card slot

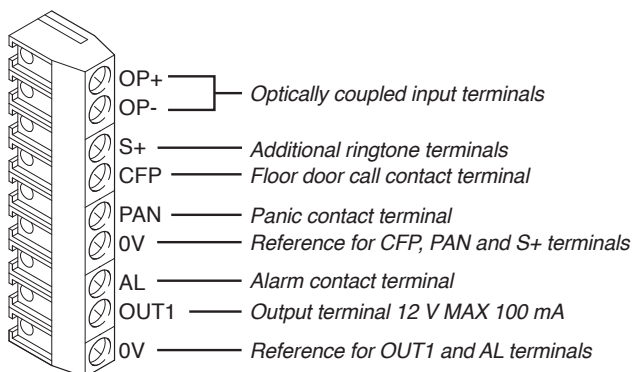
We recommend using VIP Manager software Art. 1449 to configure the internal unit (see specific manual). However, the main parameters can also be configured directly, on the device itself (see page 50).

For wiring details, refer to the diagrams section at the end of this manual.

7Stelle monitor Art. 6501



1. Connection terminals



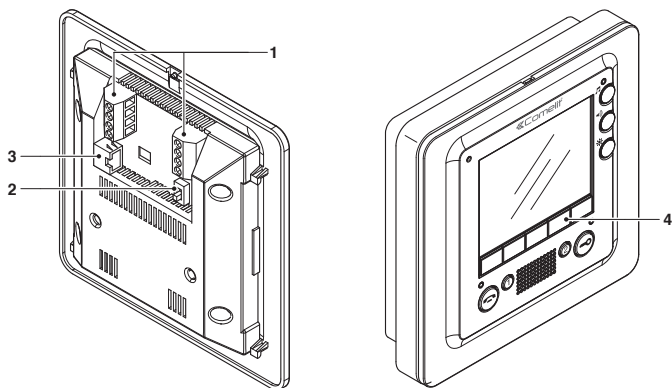
Technical characteristics	
Absorption	Min. 0.7 W Max. 2.6 W
Power supply	36/57 Vdc 3A Max.

- 2. VIP - POE selector for fitting to the latter if the internal unit is used on a standard - not VIP - PoE network
- 3. RJ45 Ethernet connector for connecting the internal unit to the VIP network
- 4. SD Card slot

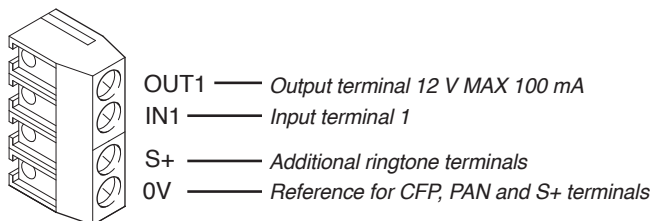
We recommend using VIP Manager software Art. 1449 to configure the internal unit (see specific manual). However, the main parameters can also be configured directly, on the device itself (see page 62).

For wiring details, refer to the diagrams section at the end of this manual.

Smart monitor Art. 6304

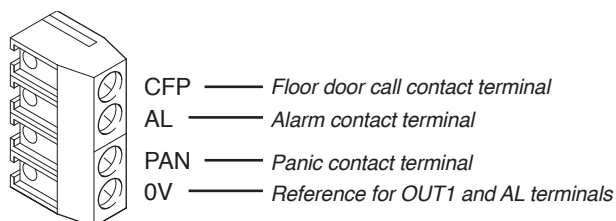


1. Connection terminals



Technical characteristics	
Absorption	Min. 0.7 W Max. 2.6 W
Power supply	36/57 Vdc 3A Max.

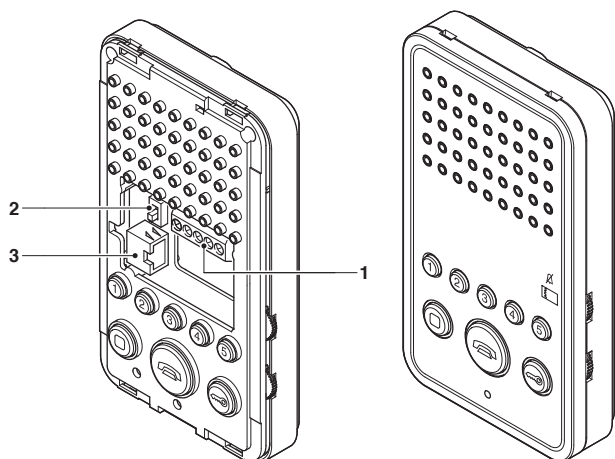
For wiring details, refer to the diagrams section at the end of this manual.



- 2. VIP - POE selector for fitting to the latter if the internal unit is used on a standard - not VIP - PoE network
- 3. RJ45 Ethernet connector for connecting the internal unit to the VIP network
- 4. Optional buttons Art. 6332

We recommend using VIP Manager software Art. 1449 to configure the internal unit (see specific manual). However, the main parameters can also be configured directly, on the device itself (see page 50).

Easycom door-entry phone Art. 6203

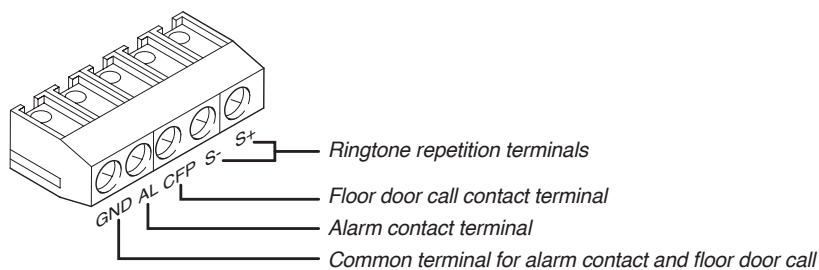


Technical characteristics	
Absorption	Min. 0.7 W Max. 2.6 W
Power supply	36/57 Vdc 3A Max.
Dimensions	H: 16 cm W: 9.1 cm D: 2.7 cm



The Easycom door-entry phone Art. 6203 manages up to 3 slave devices, not 15 as with other internal units.

1. Connection terminals



2. VIP - POE selector for fitting to the latter if the internal unit is used on a standard - not VIP - PoE network

3. RJ45 Ethernet connector for connecting the internal unit to the VIP network

Use VIP Manager software Art. 1449 to configure the internal unit (see specific manual).

For wiring details, refer to the diagrams section at the end of this manual.

VIP switchboard Art. 1952



Technical characteristics	
Absorption	Min. 0.7 W Max. 2.6 W
Power supply	36/57 Vdc 3A Max.

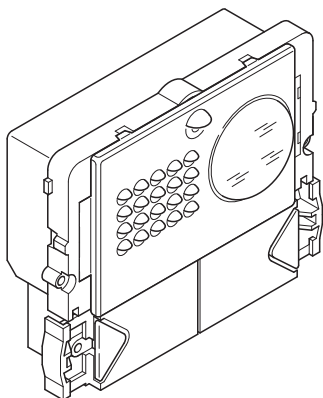
We recommend using VIP Manager software Art. 1449 to configure the internal unit (see specific manual). However, the main parameters can also be configured directly, on the device itself (see page 67).

For wiring details, refer to the diagrams section at the end of this manual.

Powercom series external units

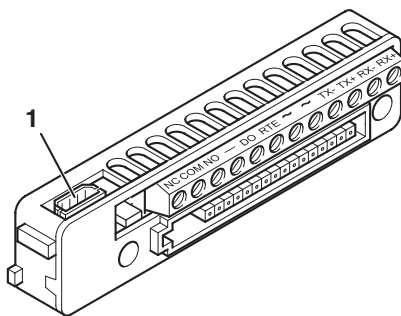
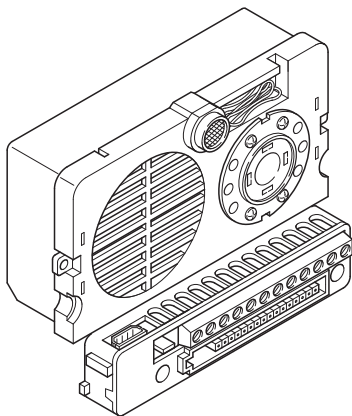
Powercom module Art. 3331/0 - 1 - 2 for audio/video units

Module designed for audio/video speaker units. Requires audio/video unit Art. 4662C to complete installation. Versions with 0, 1 and 2 buttons are available.



Powercom series colour audio/video unit for VIP system Art. 4662C

VIP system audio-video unit with terminal block, complete with spherical lens adjustable colour camera.



1. 4-pole cable connector

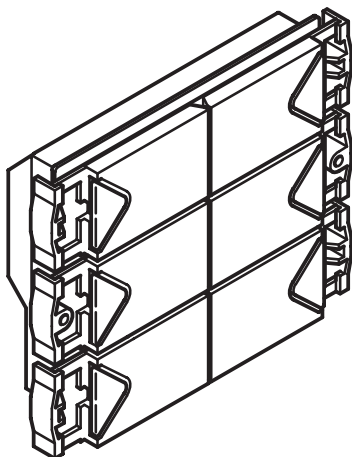
- NC / NO:** Door lock connection terminals
- COM:** Common terminal
- DO:** Door Open terminal
- RTE / -:** Timed relay control terminals
- ~ ~:** Power supply terminals
- TX- / TX+:** Ethernet transmission line terminals
- RX- / RX+:** Ethernet reception line terminals

For wiring details, refer to the diagrams section at the end of this manual.

Technical characteristics	
Power supply	12 Vac
Temperature thresholds	-30 / +55°C
Dimensions	H: 10.2 cm W: 5.5 cm D: 3.5 cm

Powercom call button module Art. 3337/3 - 4 - 6

Additional call button module. Versions with 3, 4 and 6 buttons are available.



For wiring details, see page 28.

Powercom series backlit indication module Art. 3327

Backlit module with LEDs for various indications and additional 10 A relay.

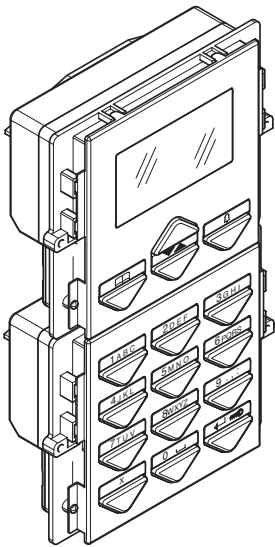


Technical characteristics	
Power supply	12 Vac 3A
Temperature thresholds	-30 / +55°C
Dimensions	H: 8.9 cm W: 11.2 cm D: 4 cm

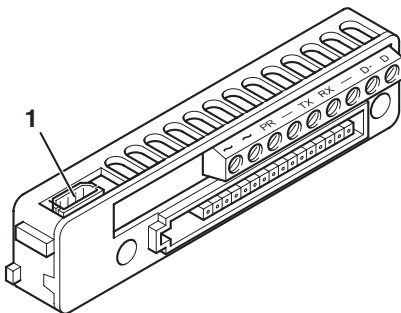
For wiring details, see page 29.

Powercom series digital call module for VIP system Art. 3370

Digital call module complete with electronic directory with graphic LCD display. Also functions as a coded electronic key module. Names can be scrolled using the two search buttons or by entering the initial letter of the required name. Once the right name has been found, press the call button. The user code can also be entered to make a direct call.



Technical characteristics	
Power supply	12 Vac
Temperature thresholds	-30 / +55°C
Dimensions	H: 18 cm W: 11.2 cm D: 4 cm



~ ~: Power supply terminals
 PR -: Programming terminals
 TX RX: RS232 line terminals (not used)
 -: RS232 line negative terminal (not used)
 D- D: RS485 data line

1. 4-pole cable connector

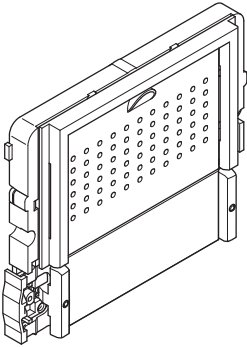
For wiring details, refer to the diagrams section at the end of this manual.

N.B. Up to this point, the functions linked to the RS485 line have not been implemented.

IKall series external units

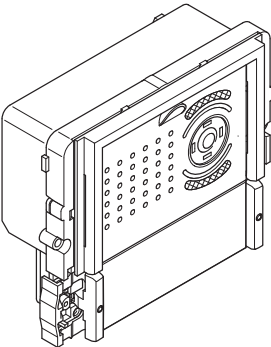
IKall module Art. 33400 - 33401 - 33402 for audio units

Module with facility for audio porter units. Requires audio unit Art. 1682 to complete installation. Versions with 0, 1 and 2 buttons are available.



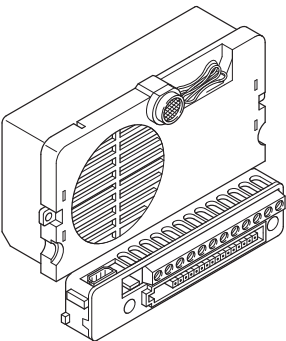
IKall module Art. 33410 - 33411 - 33412 for audio/video units

Module preset for audio/video speaker units. Requires audio/video unit Art. 4682C to complete installation. Versions with 0, 1 and 2 buttons are available.

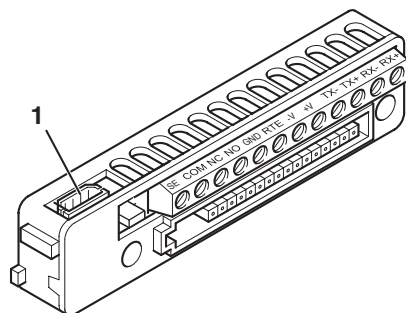


IKall series audio unit for VIP system Art. 1682

Door-entry phone porter unit for VIP system, complete with terminal block.



Technical characteristics	
Power supply	33 Vdc
Temperature thresholds	-30 / +55°C
Dimensions	H: 10.2 cm W: 5.5 cm D: 3.5 cm



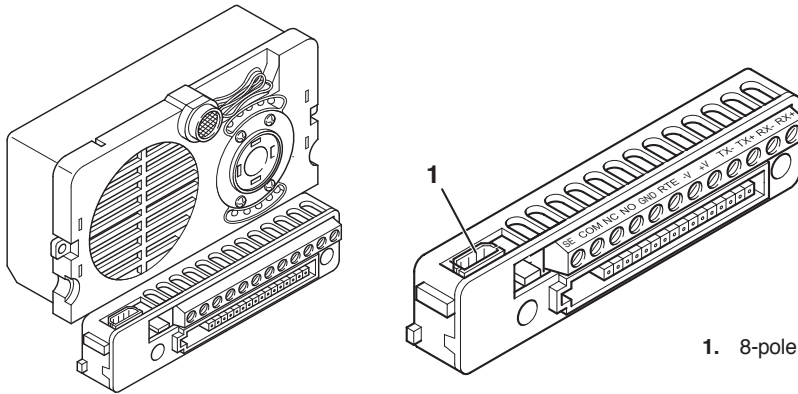
SE: Door lock connection terminals
NC / NO: Normally closed and normally open output terminals
COM: Common terminal
RTE / GND: Timed relay control terminals
-V +V: Power supply terminals
TX- / TX+: Ethernet transmission line terminals
RX- / RX+: Ethernet reception line terminals

1. 8-pole cable connector

For wiring details, refer to the diagrams section at the end of this manual.

IKall series colour audio/video unit for VIP system Art. 4682C

VIP system audio-video unit with terminal block, complete with mini lens adjustable colour camera.



1. 8-pole cable connector

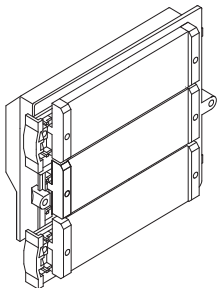
Technical characteristics	
Power supply	33 Vdc
Temperature thresholds	-30 / +55°C
Dimensions	H: 10.2 cm W: 5.5 cm D: 3.5 cm

SE: Door lock connection terminals
NC / NO: Normally closed and normally open output terminals
COM: Common terminal
RTE / GND: Timed relay control terminals
-V +V: Power supply terminals
TX- / TX+: Ethernet transmission line terminals
RX- / RX+: Ethernet reception line terminals

For wiring details, refer to the diagrams section at the end of this manual.

IKall call button module Art. 33433 - 33434 - 33436

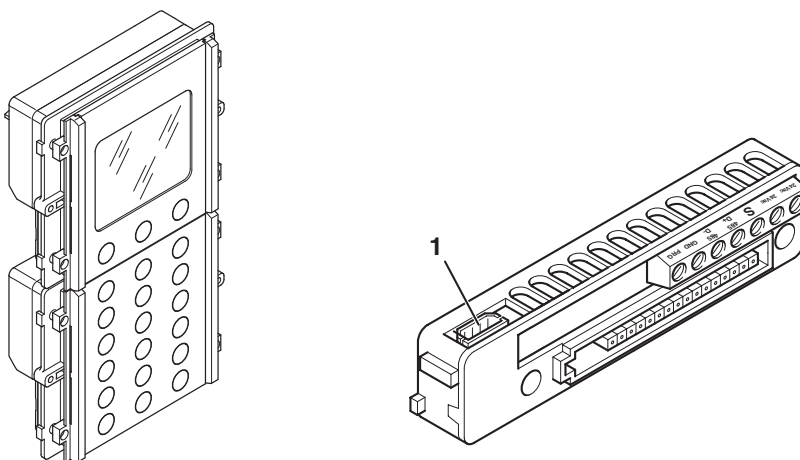
Additional call button module. Versions with 3, 4 and 6 buttons are available.



For wiring details, see page 30.

IKall series digital call module for VIP system Art. 3360A

Digital call module complete with electronic directory with graphic LCD display. Also functions as a coded electronic key module. Names can be scrolled using the two search buttons or by entering the initial letter of the required name. Once the right name has been found, press the call button. The user code can also be entered to make a direct call.



1. 8-pole cable connector

24 Vac: Local power supply terminals (for use when a dedicated power supply unit needs to be connected for module Art. 3360A)
PRG GND: Programming terminals
485 D- 485D+: RS485 data line

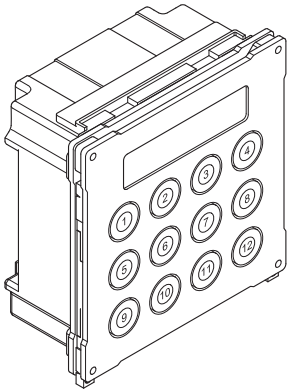
Technical characteristics	
Power supply	24 Vac - 33 Vdc
Temperature thresholds	-30 / +55°C
Dimensions	H: 18 cm W: 11.2 cm D: 4 cm

For wiring details, refer to the diagrams section at the end of this manual.

Vandalcom series external units

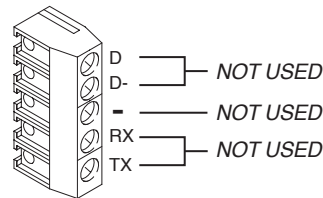
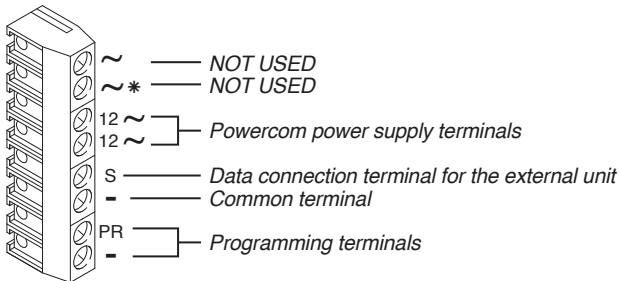
Vandalcom series digital call module for VIP system Art. 3270, for Powercom external unit Art. 4662C

Digital call module complete with electronic directory with graphic LCD display. Also functions as a coded electronic key module. The user code can be entered directly to make a call.



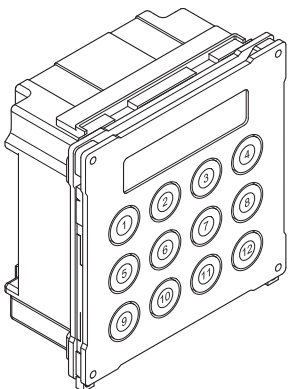
Technical characteristics	
Power supply	12 Vac
Temperature thresholds	-30 / +55°C
Dimensions	H: 18 cm W: 11.2 cm D: 4 cm

For wiring details, refer to the diagrams section at the end of this manual.



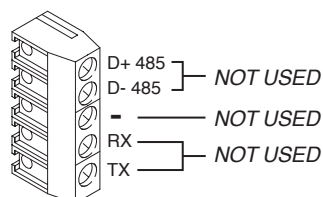
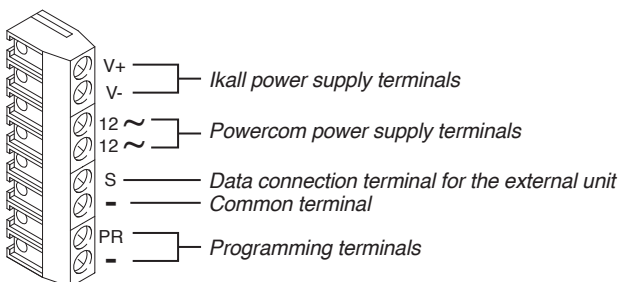
Vandalcom series digital call module for VIP system Art. 3070B, for Powercom external units Art. 4662C and IKall external units Art. 4682C

Digital call module complete with electronic directory with graphic LCD display. Also functions as a coded electronic key module. The user code can be entered directly to make a call.



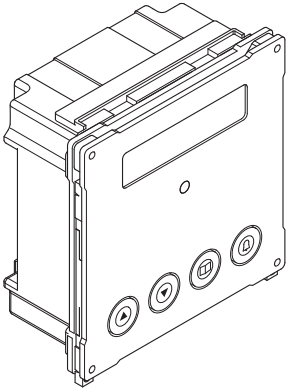
Technical characteristics	
Power supply	12 Vac - 33 Vdc
Temperature thresholds	-30 / +55°C
Dimensions	H: 18 cm W: 11.2 cm D: 4 cm

For wiring details, refer to the diagrams section at the end of this manual.



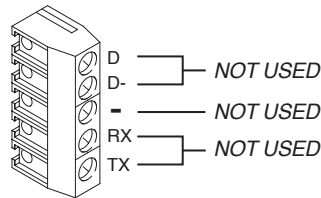
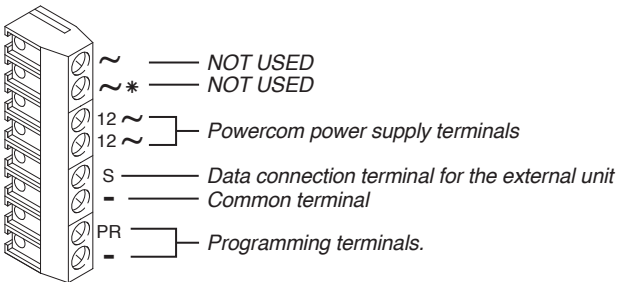
Vandalcom series digital call module for VIP system Art. 3272, for Powercom external unit Art. 4662C

Digital call module complete with electronic directory with graphic LCD display. Name scrolling is carried out using two search buttons. Once the right name has been found, press the call button.



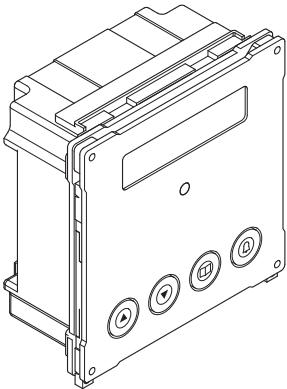
Technical characteristics	
Power supply	12 Vac
Temperature thresholds	-30 / +55°C
Dimensions	H: 18 cm W: 11.2 cm D: 4 cm

For wiring details, refer to the diagrams section at the end of this manual.



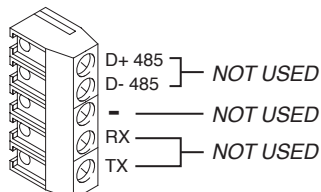
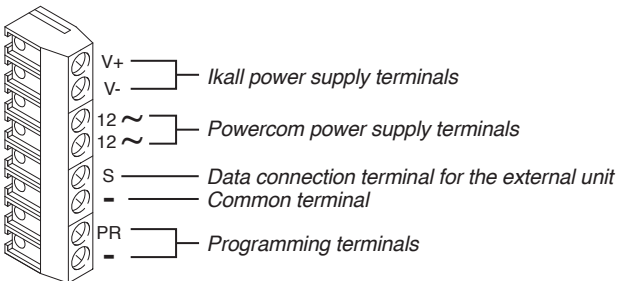
Vandalcom series digital call module for VIP system Art. 3072B, for Powercom external units Art. 4662C and IKall external units Art. 4682C

Digital call module complete with electronic directory with graphic LCD display. Name scrolling is carried out using two search buttons. Once the right name has been found, press the call button.



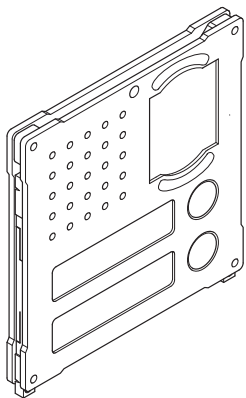
Technical characteristics	
Power supply	12 Vac - 33 Vdc
Temperature thresholds	-30 / +55°C
Dimensions	H: 18 cm W: 11.2 cm D: 4 cm

For wiring details, refer to the diagrams section at the end of this manual.



Module Art. 3268I/0 -1 - 2 designed for a/v units, iKall series

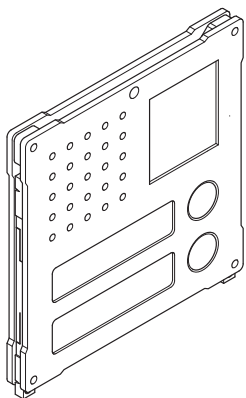
Module designed for audio/video porter units. Requires audio/video unit Art. 4682C to complete installation. Versions with 0, 1 and 2 buttons are available.



For wiring details, see page 33.

Module Art. 3269I/0 - 1 - 2 designed for a/v units, Powercom series

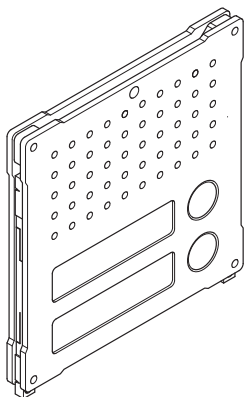
Module preset for audio/video speaker units. Requires audio/video unit Art. 4662C to complete installation. Versions with 0, 1 and 2 buttons are available.



For wiring details, see page 32.

Module Art. 3262I/0 -1 - 2 designed for audio units, iKall series

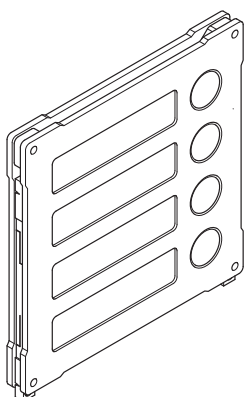
Module with facility for audio porter units. Requires audio unit Art. 1682 to complete installation. Versions with 0, 1 and 2 buttons are available.



For wiring details, see page 33.

Vandalcom series 4-button module Art. 3064/C for VIP system

Module with 4 additional call buttons.

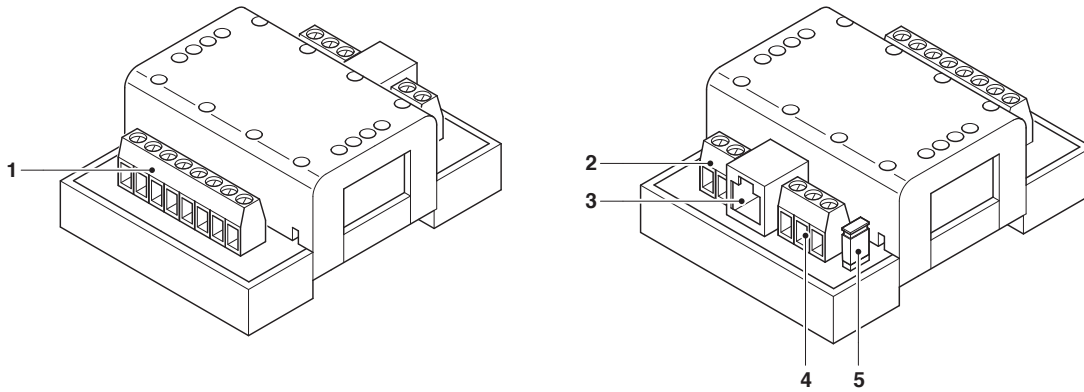


For wiring details, see page 34.

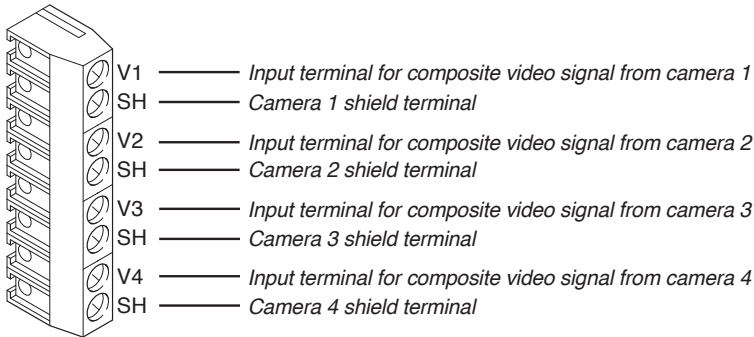
VIP system accessories

Remote camera module Art. 1445

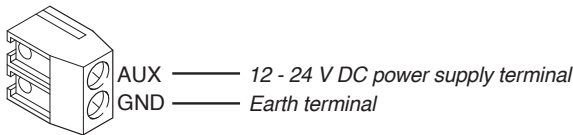
Remote camera module Art. 1445 transmits the video signals received from 4 cameras.



1. Video signal from cameras input terminals

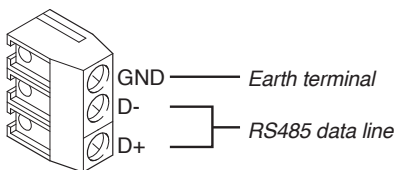


2. Secondary power supply terminals. To be used if the POE network power supply is insufficient



3. Network connection Ethernet port.

4. RS485 line terminals.



5. RS485 line closure jumper

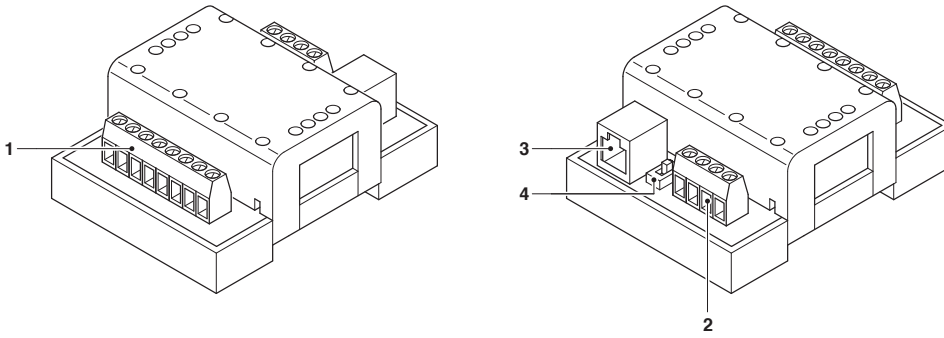
N.B. Up to this point, the functions linked to the RS485 line have not been implemented.

Technical characteristics	
Absorption	Min. 0.7 W Max. 2.6 W
Power supply	36/57 Vdc 3A Max.
Temperature thresholds	-30 / +55°C
Dimensions	4 DIN modules / H: 3.6 cm W: 6.5 cm D: 8.3 cm

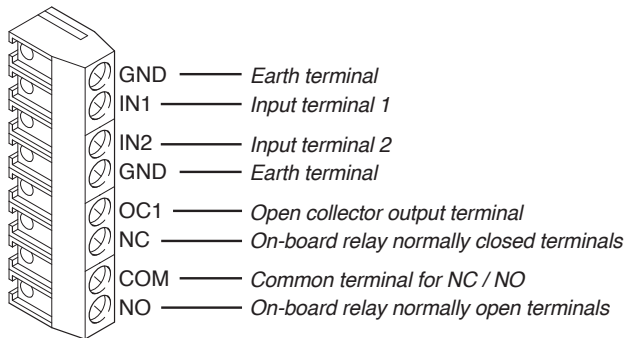
For wiring details, refer to the diagrams section at the end of this manual.

VIP system actuator relay module Art. 1443

IO module Art. 1443 can be used to control 1 relay on board the device itself or on board any expansion units Art. SK9071 connected to it.



1. Terminal block for on-board relay inputs and output



2. Terminals for connection of expansion module Art. SK9071



3. Network connection Ethernet port

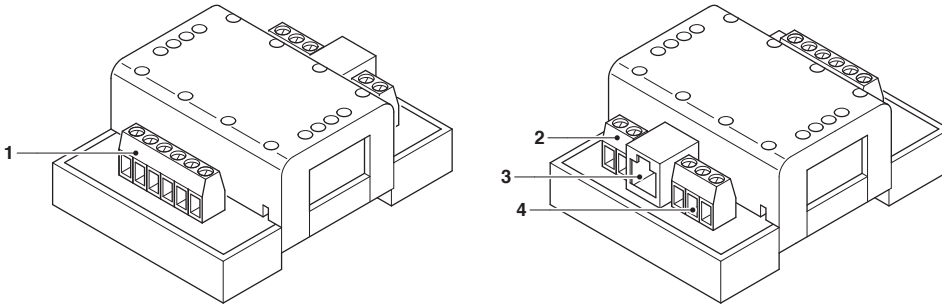
4. VIP - Standard POE power supply selector

Technical characteristics	
Absorption	Min. 0.7 W Max. 2.6 W
Power supply	36/57 Vdc 3A Max.
Temperature thresholds	-30 / +55°C
Dimensions	4 DIN modules / H: 3.6 cm W: 6.5 cm D: 8.3 cm

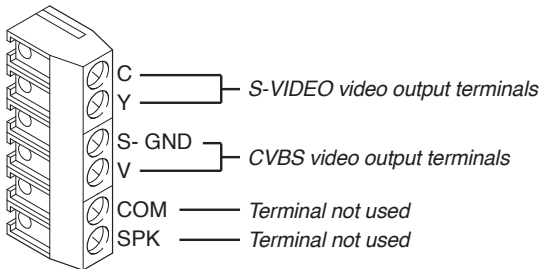
For wiring details, refer to the diagrams section at the end of this manual.

PAL / NTSC video output module Art. 1446

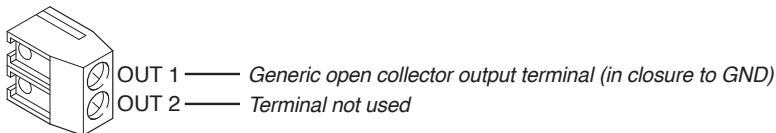
Module Art. 1446 provides an outgoing video signal from the system in PAL or NTSC format.



1. Terminal block for video outputs

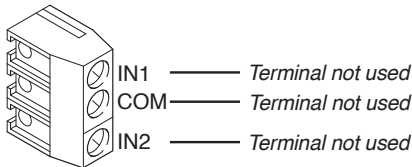


2. Terminal block for open collector outputs



3. Network connection Ethernet port

4. Input terminal block

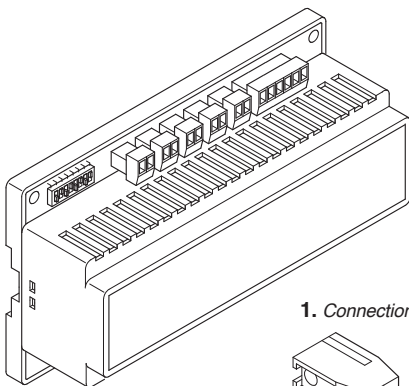


Technical characteristics	
Absorption	Min. 0.7 W Max. 2.6 W
Power supply	36/57 Vdc 3A Max.
Temperature thresholds	-30 / +55°C
Dimensions	4 DIN modules / H: 3.6 cm W: 6.5 cm D: 8.3 cm

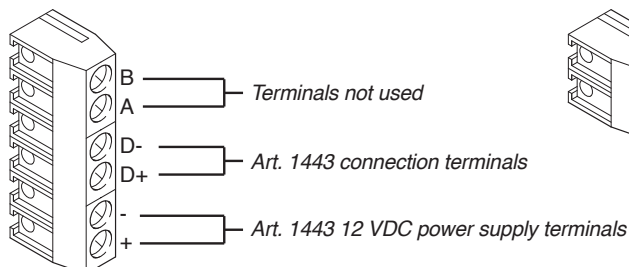
For wiring details, refer to the diagrams section at the end of this manual.

Expansion module Art. SK9071

Expansion module Art. SK9071 for use in conjunction with the IO module Art. 1443.



1. Connection terminal blocks







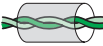


Technical characteristics	
Absorption	Min. 0.7 W Max. 2.6 W
Power supply	12 Vdc
Temperature thresholds	-30 / +55°C
Dimensions	8 DIN modules / H: 5.5 cm W: 14 cm D: 9.5 cm

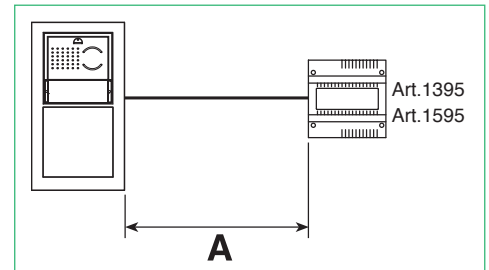
For wiring details, refer to the diagrams section at the end of this manual.

Chapter 3: System preparation and specifications

Connection distances

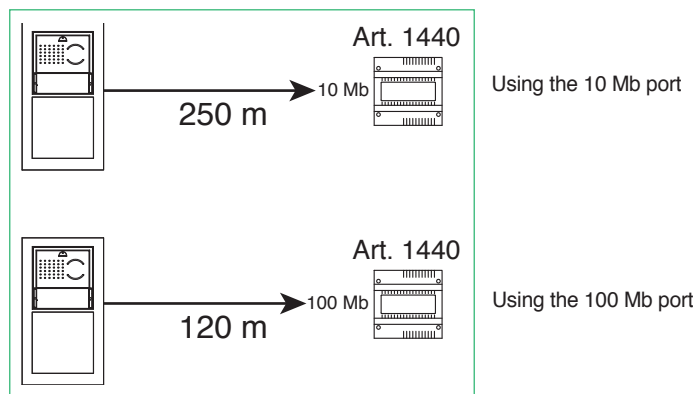
Connection distances from power supply unit Art. 1395 / Art. 1595 to external unit

		Art.1395	Art.1595
		A Max	
0,5 mm ² (Ø 0,8 mm - AWG 20)		10 m	25 m
0,5 mm ² (Ø 0,8 mm - AWG 20)	Comelit Art. 4576-4578 	10 m	25 m
1 mm ² (Ø 1,2 mm - AWG 17)		25 m	50 m
1 mm ² (Ø 1,2 mm - AWG 17)	Comelit Art. 4577 / 4579 	25 m	50 m
1 mm ² (Ø 1,2 mm - AWG 17)		25 m	50 m
1,5 mm ² (Ø 1,4 mm - AWG 15)		40 m	75 m
2,5 mm ² (Ø 1,8 mm - AWG 13)		60 m	100 m



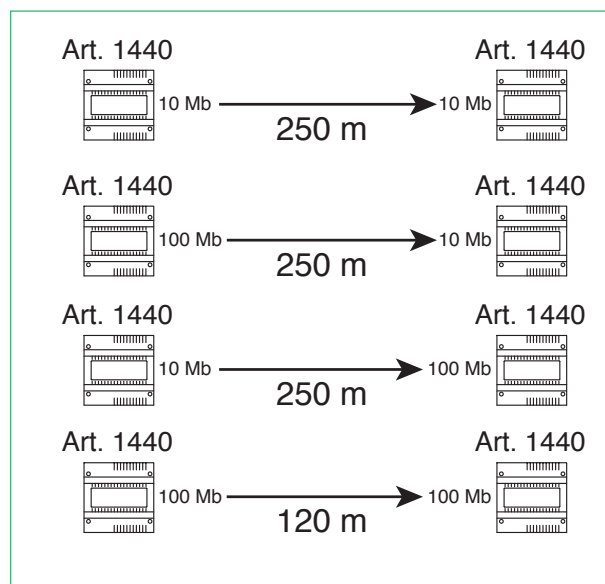
Connection distances between external unit and Switch Art. 1440

The connection distance varies depending on the port used on Switch Art. 1440.



Connection distances between 2 Switches Art. 1440

The connection distance varies depending on the ports used on Switches Art. 1440.

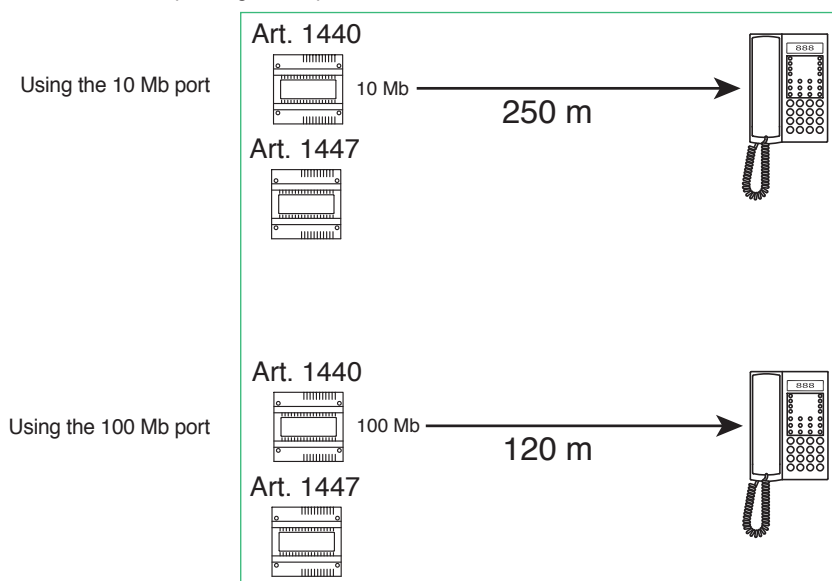


Connection distances from Switch Art. 1440/ Repeater Art. 1447 to door-entry phones / door entry monitors



Connection distances from Switch Art. 1440 / Repeater Art. 1447 to switchboard Art. 1952

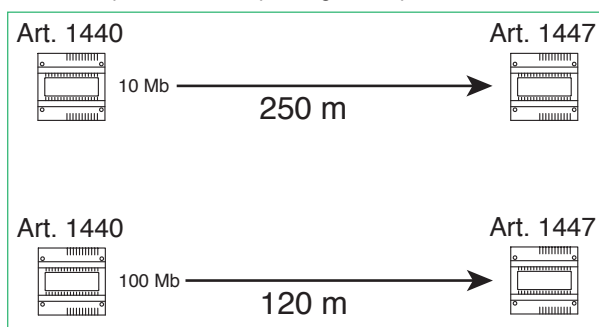
The connection distance varies depending on the port used on Switch Art. 1440.



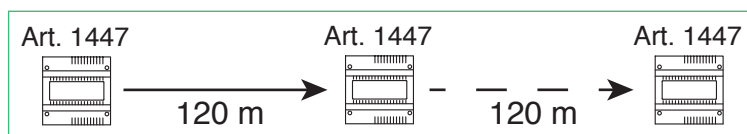
Expanding a system using repeater Art. 1447

Repeaters Art. 1447 can be connected in series to increase the connection distance between two Switches Art. 1440 (Max. 8).

The connection distance between a Switch and a Repeater varies depending on the port used on Switch Art. 1440.



The connection distance between 2 Repeaters is always 120 m.



See diagram VIP/005

Guide to fitting a UTP / STP RJ45 Direct network cable

The recommended cables are:

- *UTP (Unshielded Twisted Pair):*
not protected from electromagnetic interference, maximum length 100 metres.
We recommend the use of a Panduit cable code NUL5C04BU-CE.
- *STP (Shielded Twisted Pair):*
similar to the UTP but with a metal sheath.

The UTP and STP can fall into various categories. **Category 5 (CAT 5) cables or greater must be used for the VIP system.**

The tools required for fitting are as follows:

- *Crimping pliers 6-P 8-P.*
We recommend using 8-pole Panduit pliers code MPT5-8A.

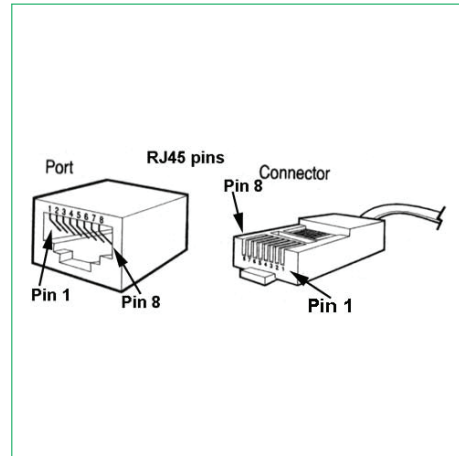


- *2 RJ45 connectors for each section of cable.*
We recommend using Panduit connectors code MP588-L.



- *Tester for RJ45 cables.*

The tester must only be used while the system is off

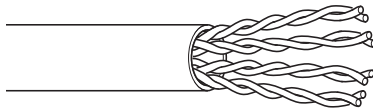


Fitting procedure

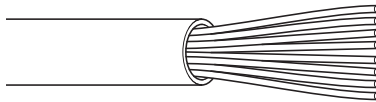
1. Most crimping pliers have two pairs of blades, one pair on one side to strip the wires and another pair on the other side to cut the wires. If the pliers do not allow you to cut the cable sheath, you should use a blade and cut the sheath with it, removing a length of about three centimetres. Be especially careful not to cut or scratch the wires inside the sheath; once cut, most sheaths break if they are folded or pulled.



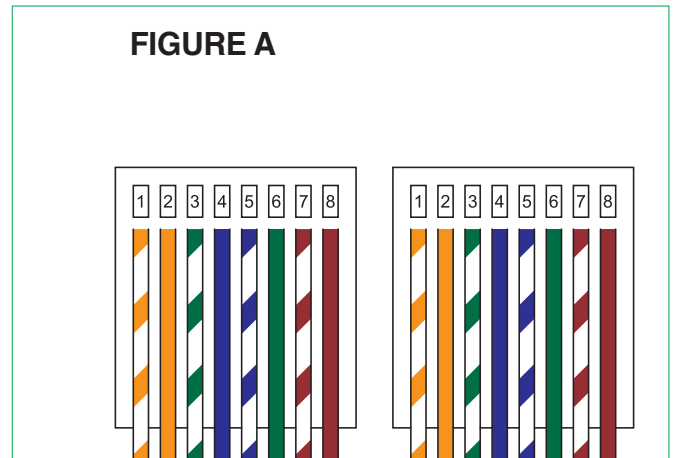
2. When you have removed the sheath, you will have four pairs of wires, twisted together two by two and of different colours. Untwist the wire pairs so you have 8 separate wires, but make sure you mark them if they are not of different colours (in some cables, the white/colour wires are completely white).



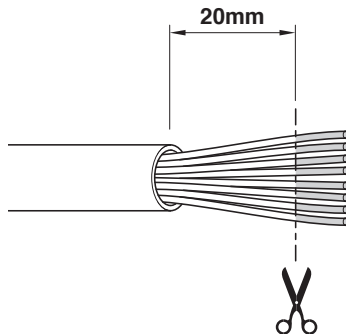
3. Spread the wires out into a fan, in the order in which you need to crimp them from left to right. The cable configuration is illustrated in Table 1 and Figure A.



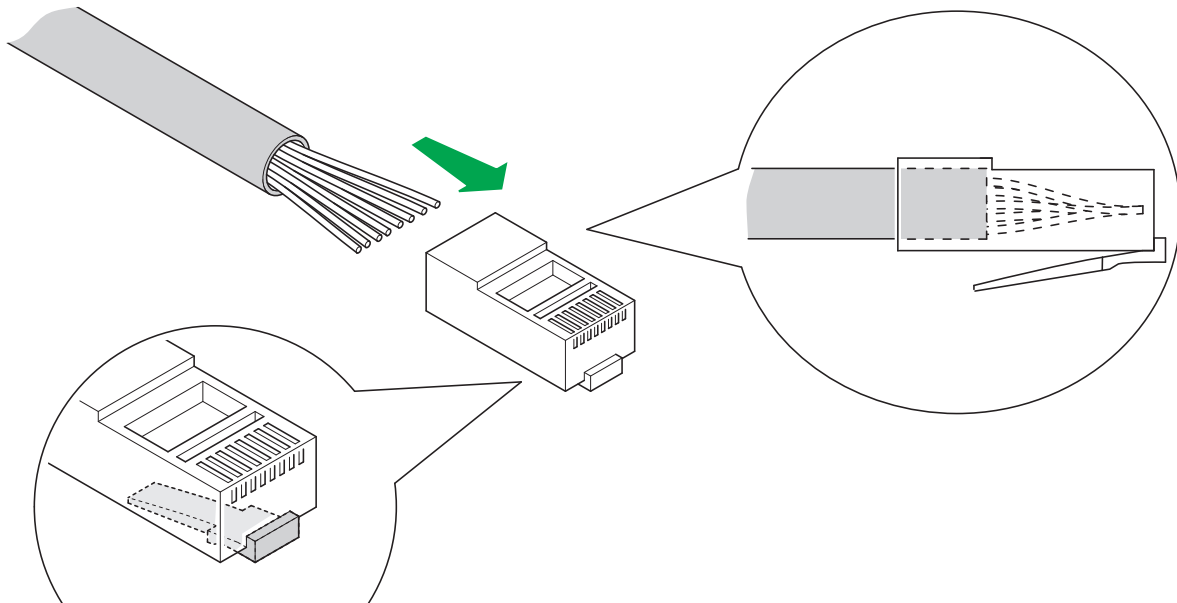
Connector 1	Connector 2
White / Orange	White / Orange
Orange	Orange
White / Green	White / Green
Blue	Blue
White / Blue	White / Blue
Green	Green
White / Brown	White / Brown
Brown	Brown
N.B.: if the cable colours are different, simply maintain the correct correspondences	



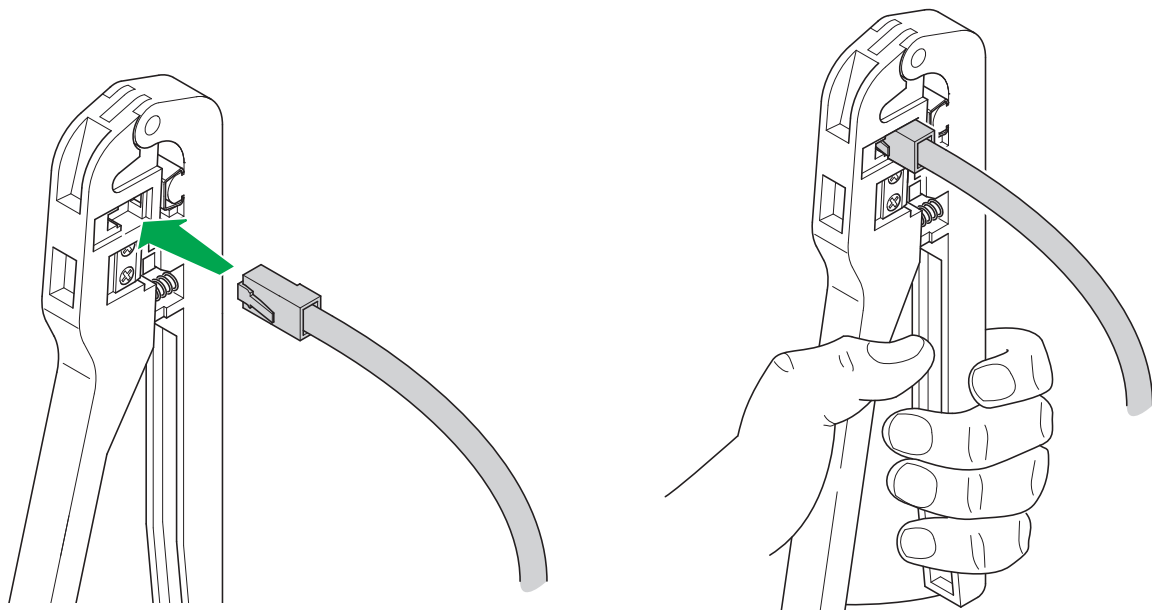
4. Hold the wires tightly between two fingers and flatten them so that they are side by side, then straighten them by pulling them taut with your fingers to remove slight curves caused by the previous twisting. Make sure they stay in the correct order.
5. Continuing to hold them taut, trim the excess by 2 centimetres, so that they are all the same length.



6. Insert the wires into the RJ45 connector, still holding them tightly between your fingers. The connector tab should be facing downwards and not visible. The insulating sheath should just reach the edge of the connector.

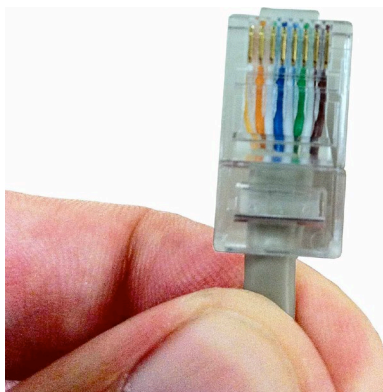


7. Make sure the wires are fully inserted by inspecting the side of the transparent connector. Next, insert the connector into the crimping pliers and, using both hands, crimp the connector so as to secure the wires. The pliers should not open if they did not close fully.



8. Now repeat steps 1 to 7 above, to crimp the cable on the other side.

Complete connector example



Chapter 4: Mounting external units and internal units

During the installation of various products, we recommend a document is compiled to keep track of the location of the device within the system.

An example of how to compile such a document is provided below:

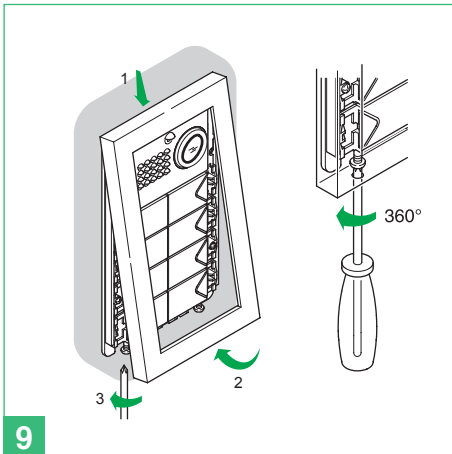
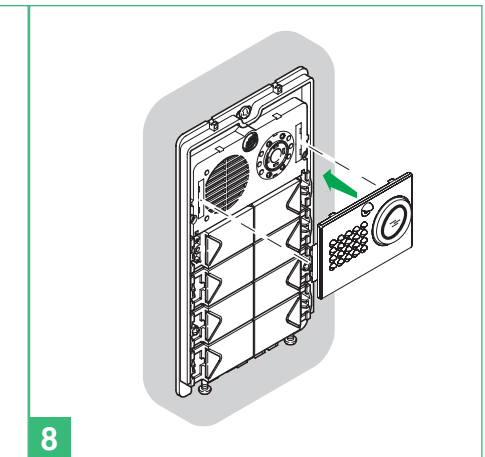
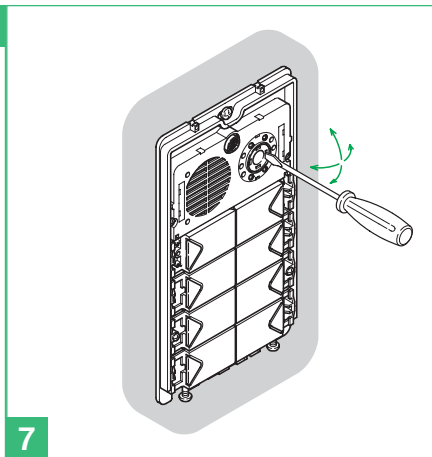
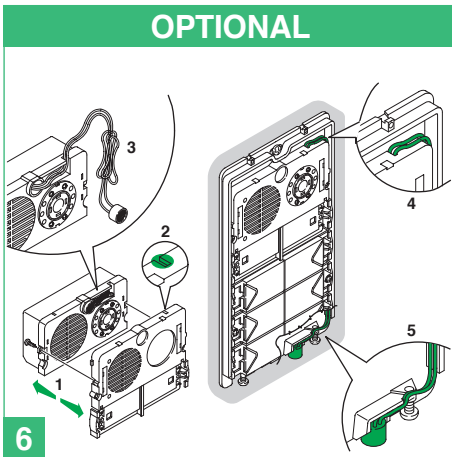
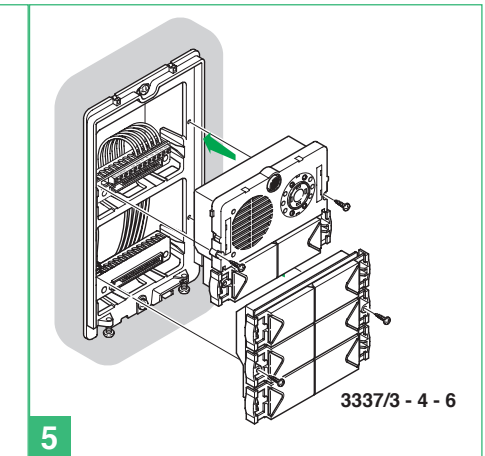
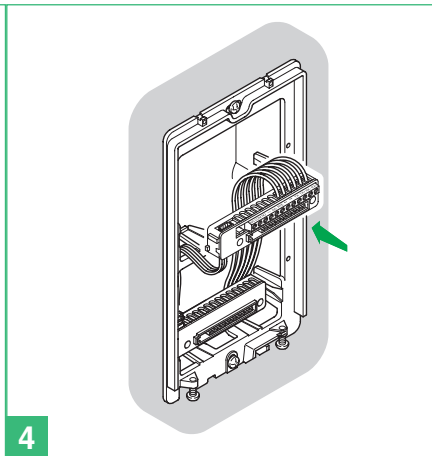
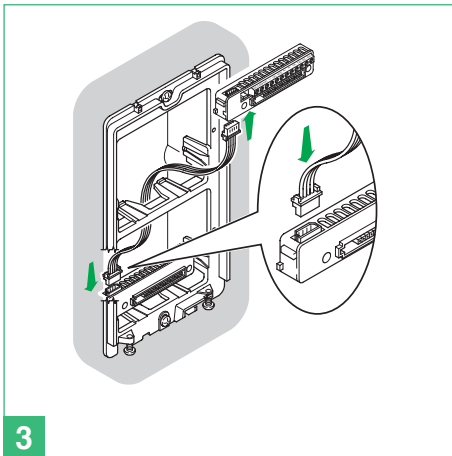
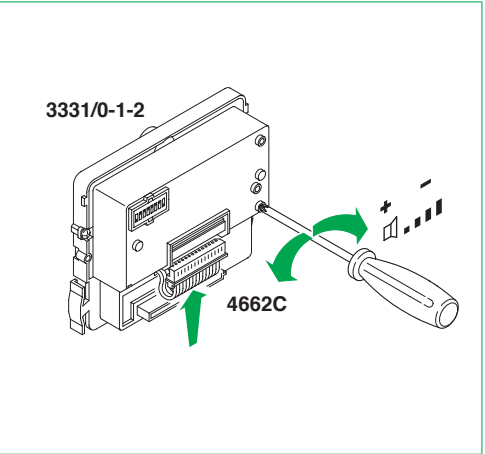
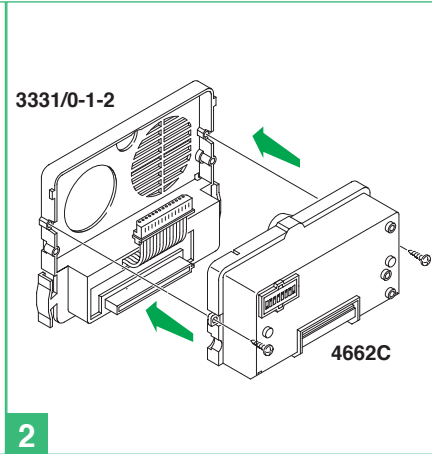
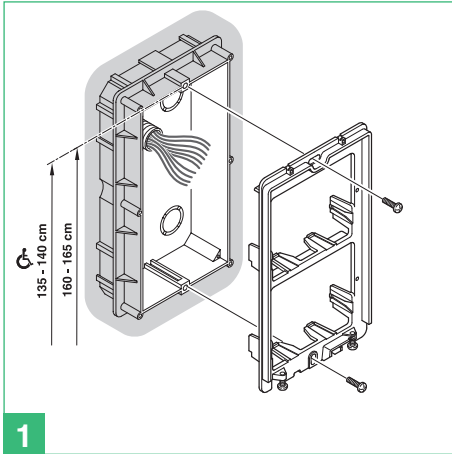
Mac Address	VIP Address	Description
00252900082B	00002001	South gate external unit
00252900086C	00002002	North gate external unit
00252900023R	00000139	Apartment 1 internal unit
00252900052A	00000127	Smith apartment internal unit

The Mac address for the product is indicated by a label on the packaging box and another label applied directly to the product itself.

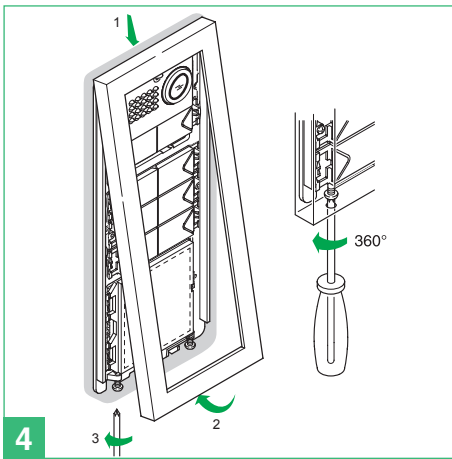
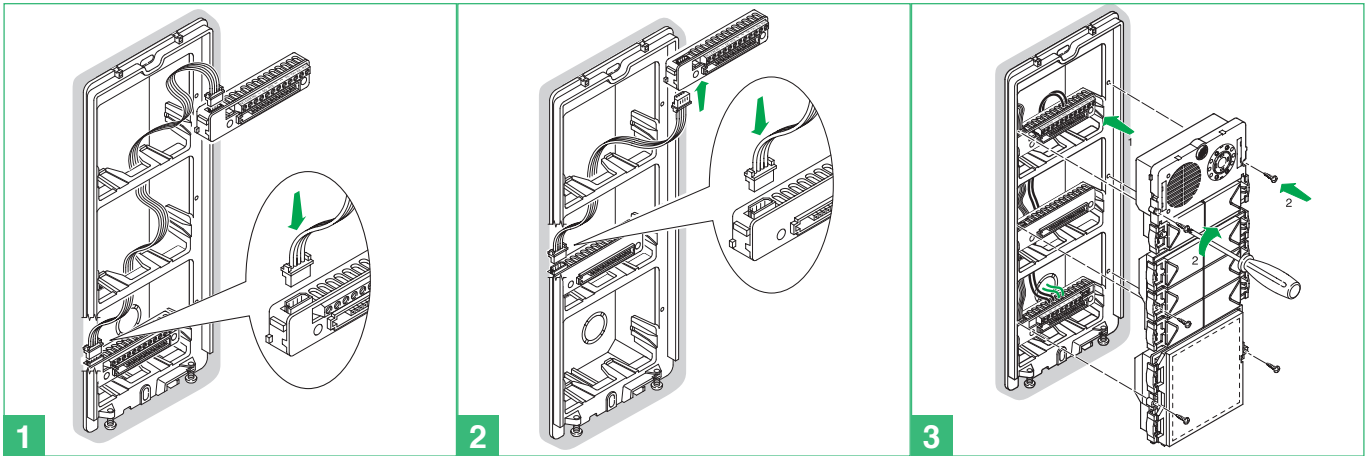
For all products, the VIP address is programmed using VIP Manager software Art. 1449, with the exception of monitors Art. 6202, Art. 6304, Art. 6501 and Art. 1952, which can be used to set the VIP address, even locally.

Mounting Powercom series external units

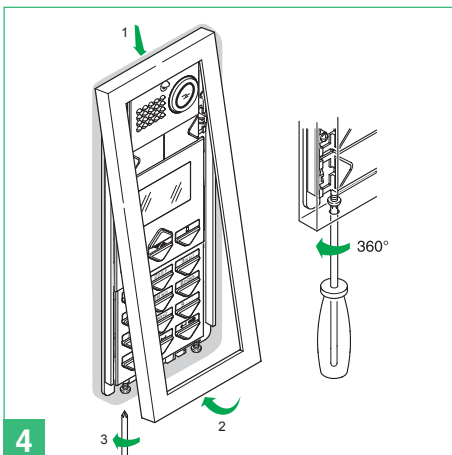
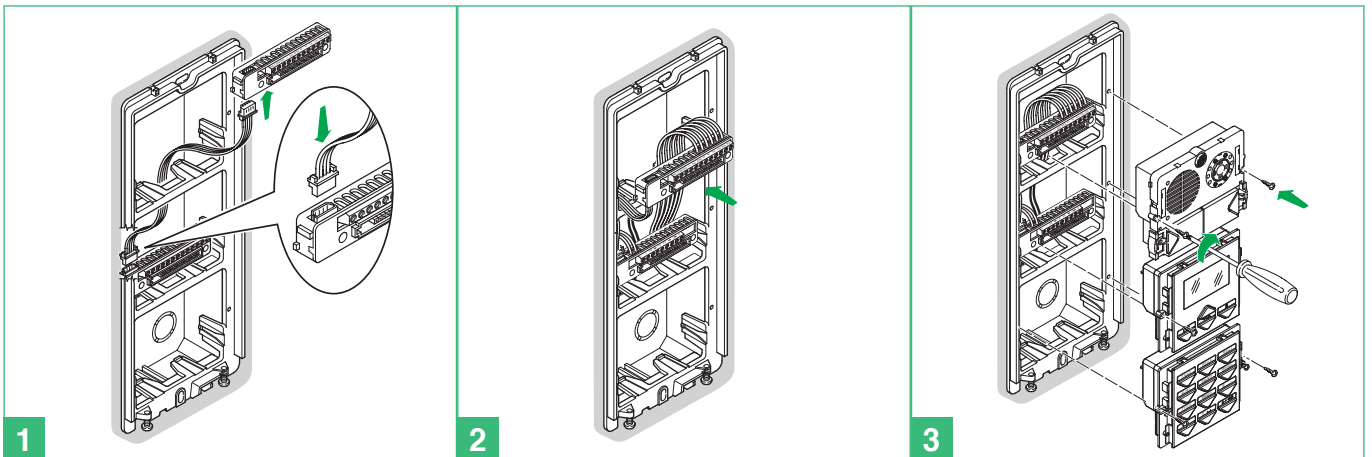
Mounting external unit Art. 4662C and additional buttons Art. 3337/3 - 4 - 6



Mounting actuator module Art. 3327

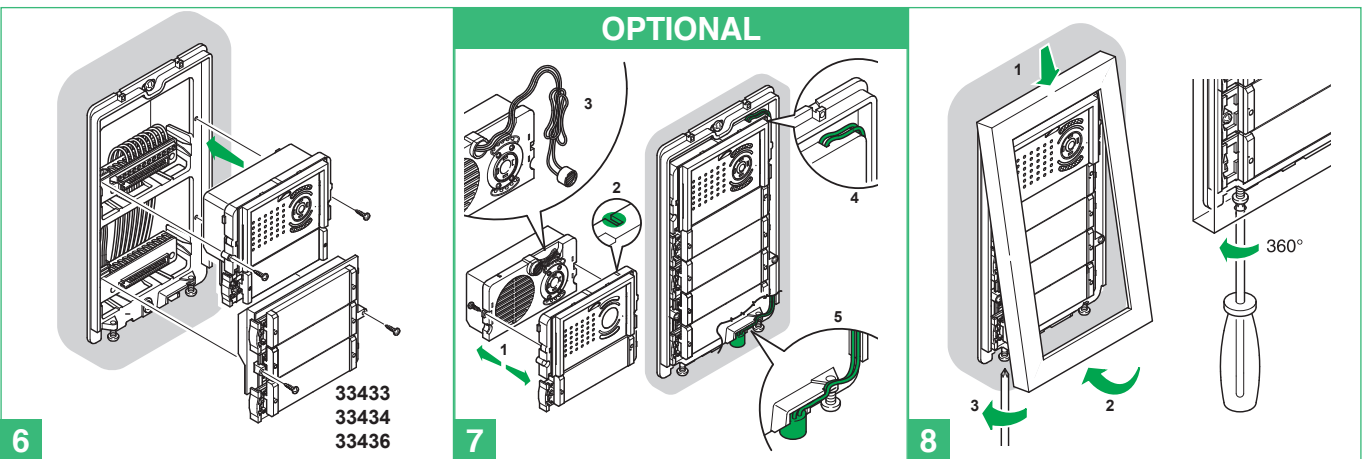
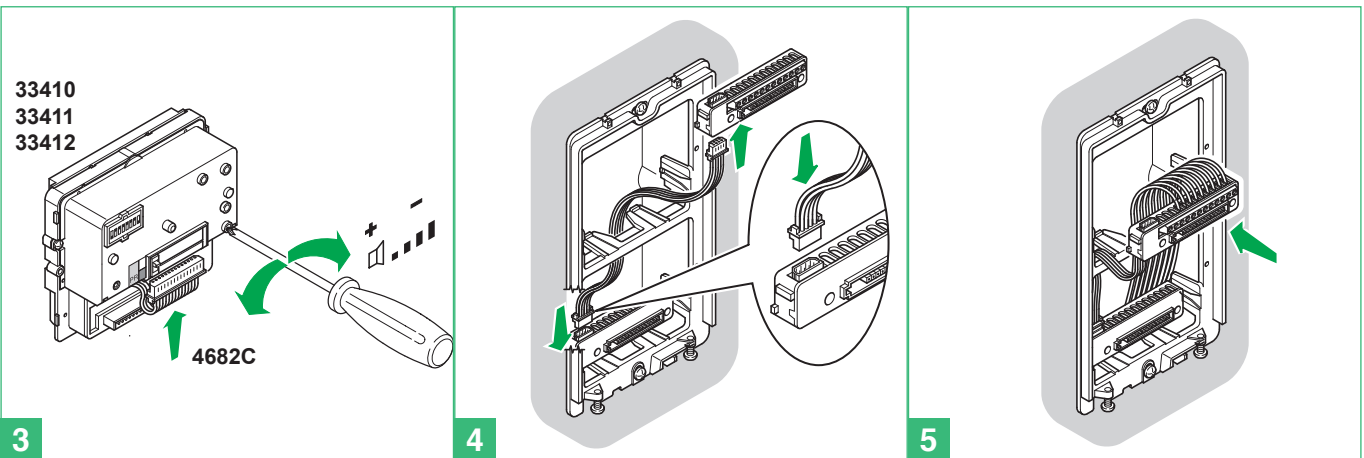
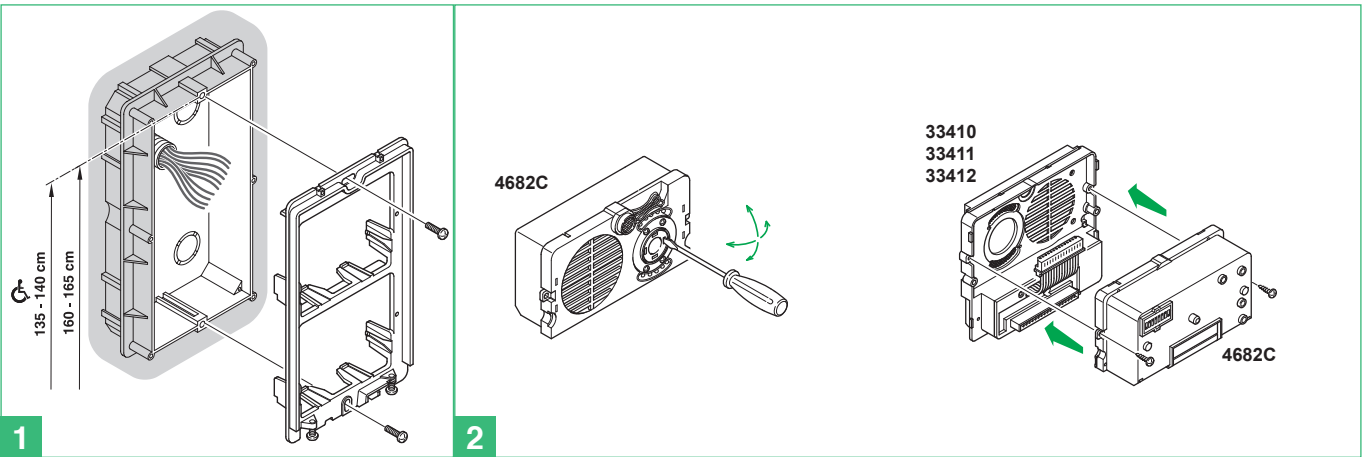


Mounting digital directory Art. 3370

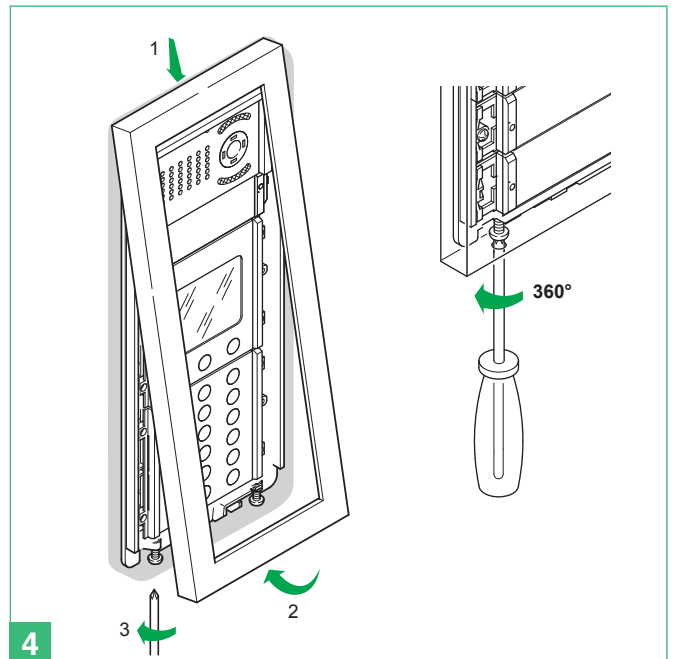
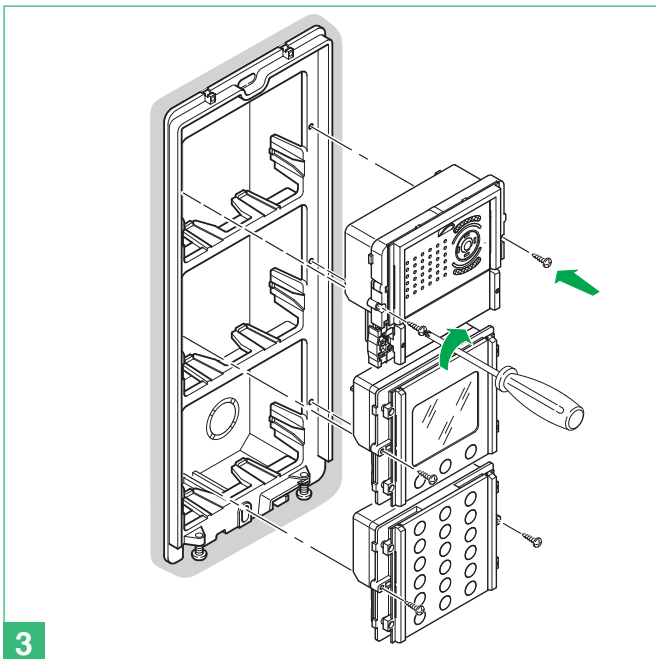
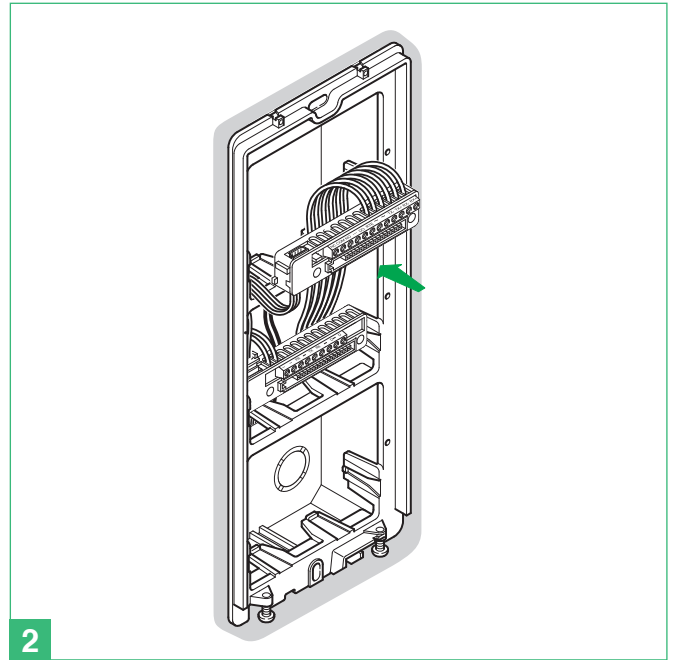
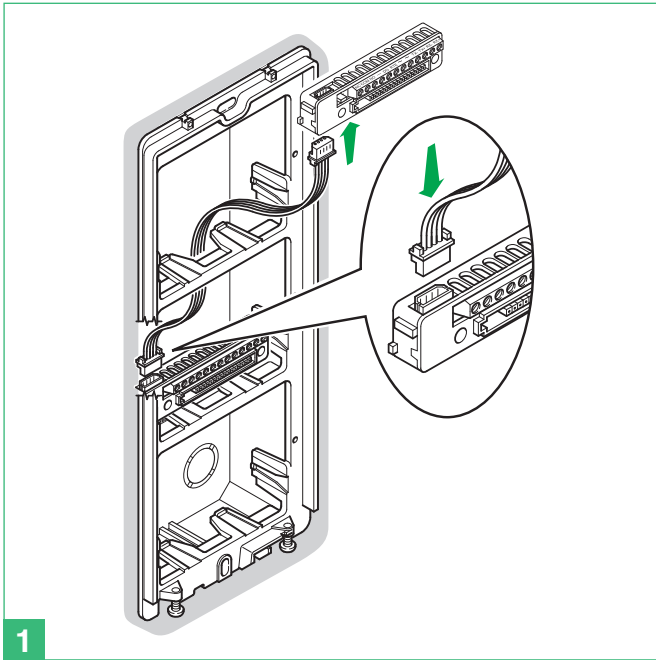


Mounting IKall series external units

Mounting external unit Art. 4682C and additional buttons Art. 33433 - 33434 - 33436




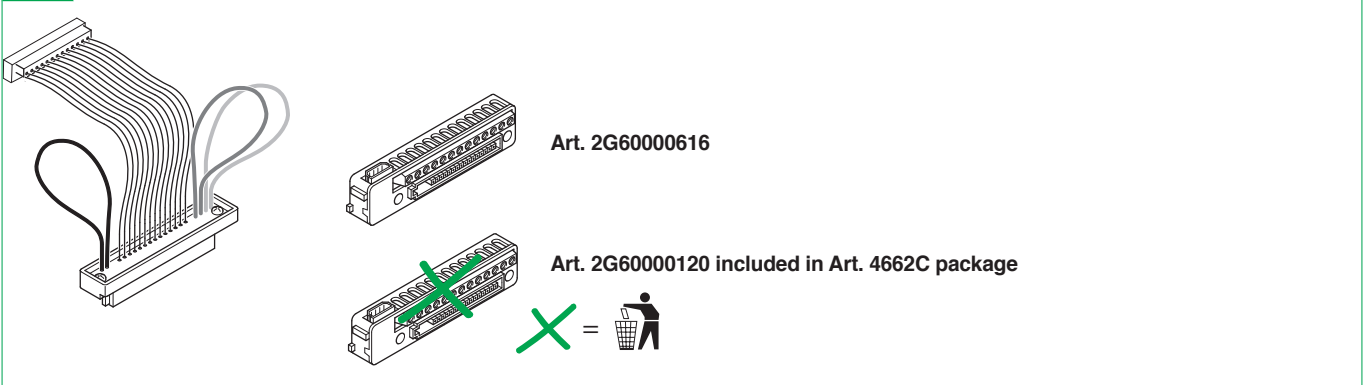
Mounting digital directory Art. 3360A



Mounting Vandalcom series external units



Connecting audio-video unit Art. 4662C for use with buttons on Vandalcom external unit Art. 3269/1 - 2

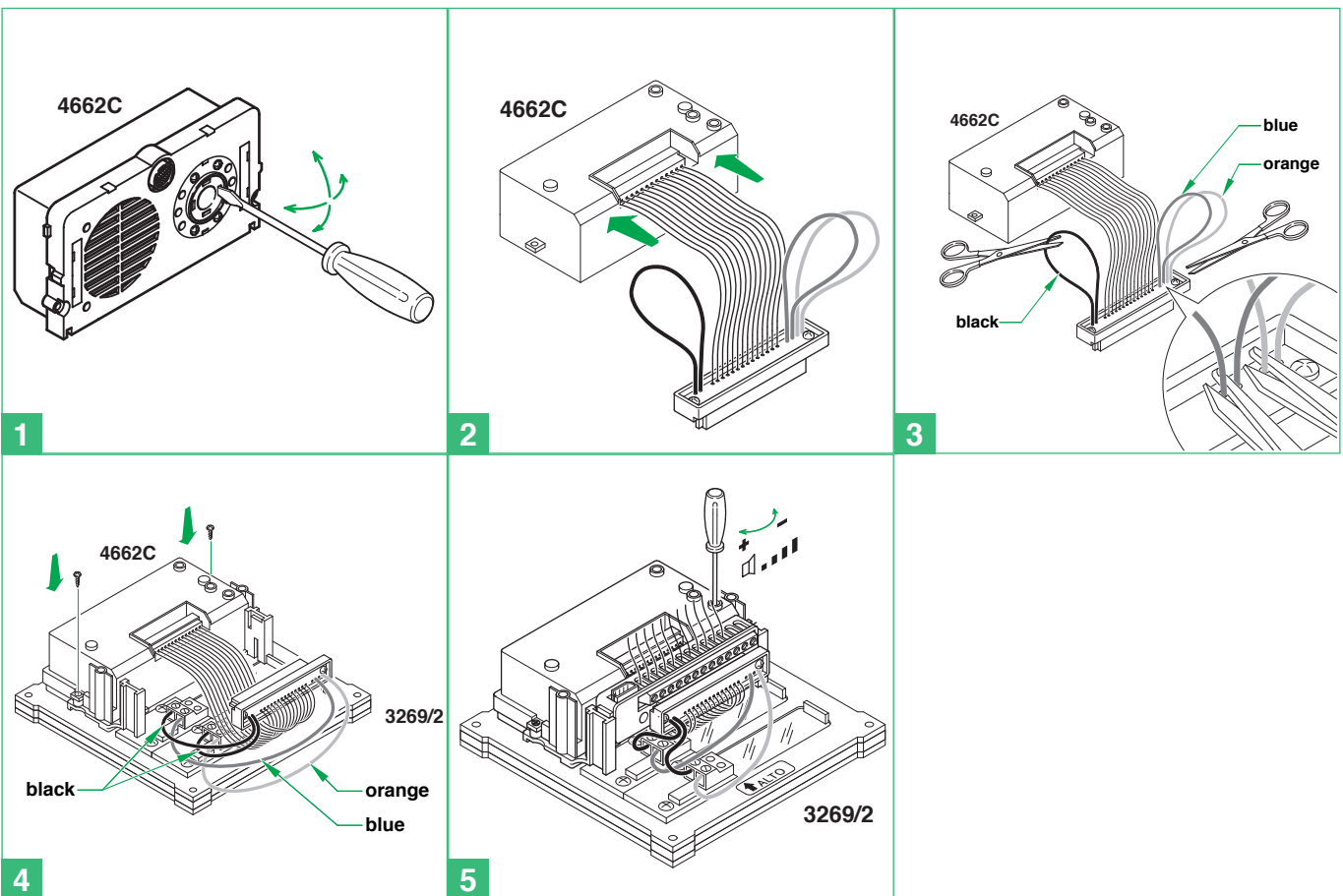
 Only applies to Art. 4662C



Art. 2G60000616

Art. 2G60000120 included in Art. 4662C package

 = 



4662C

4662C

4662C

blue

orange

black

1

2

3

4662C

3269/2

black

orange

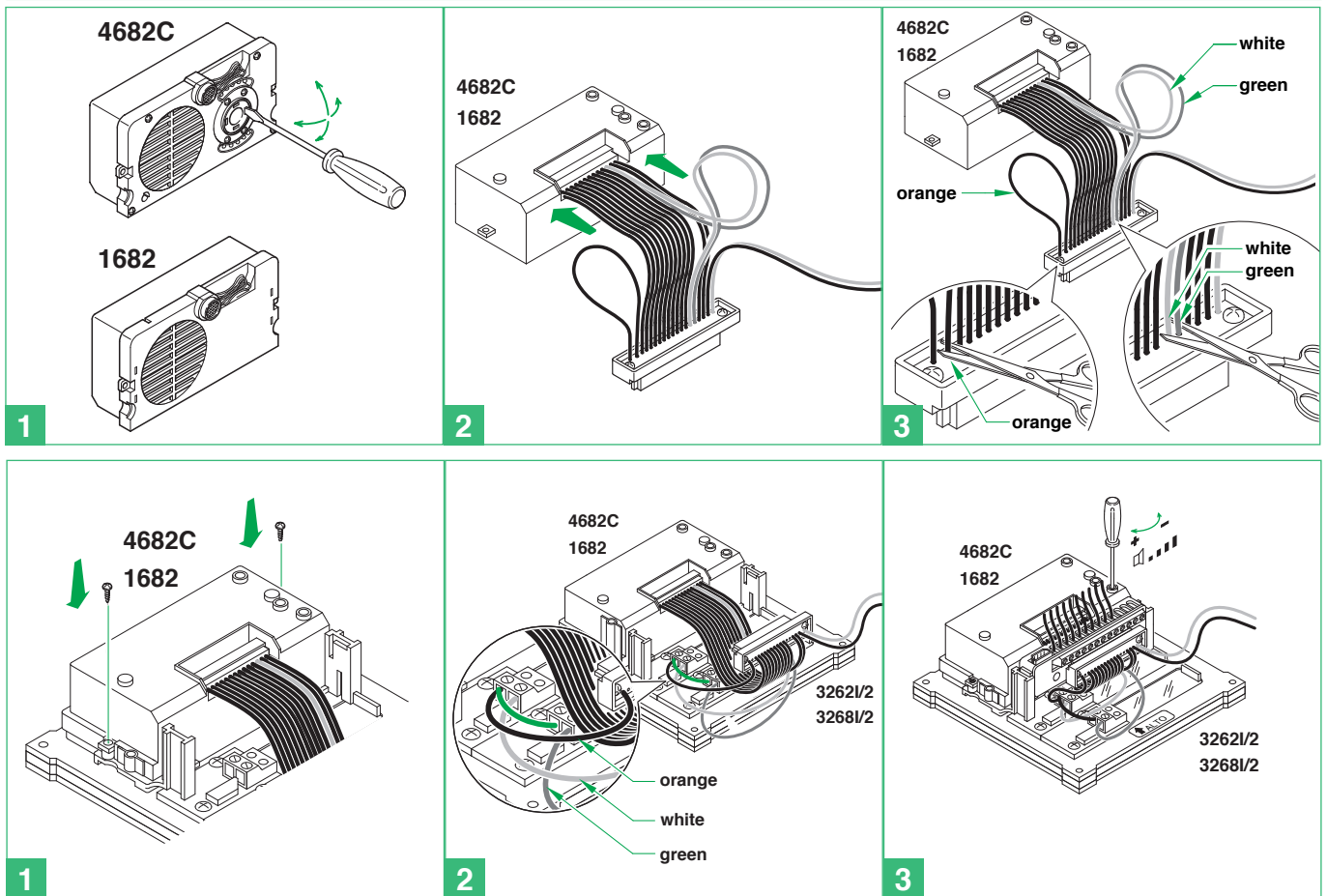
blue

4

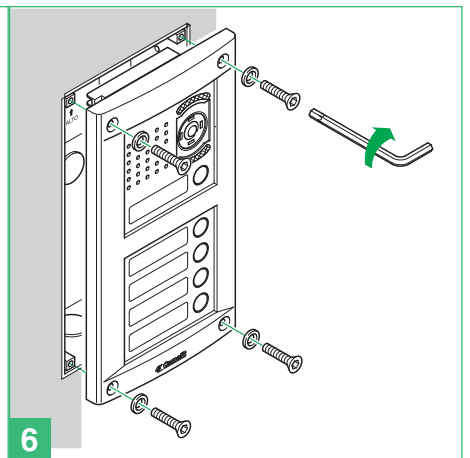
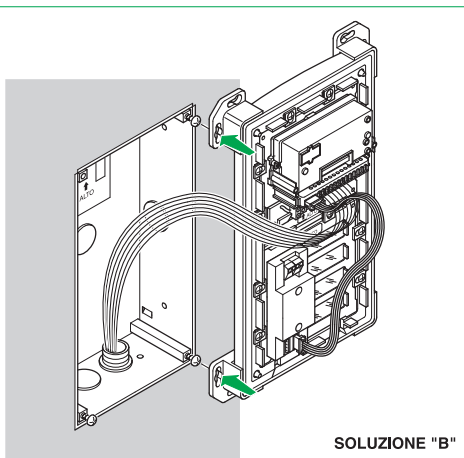
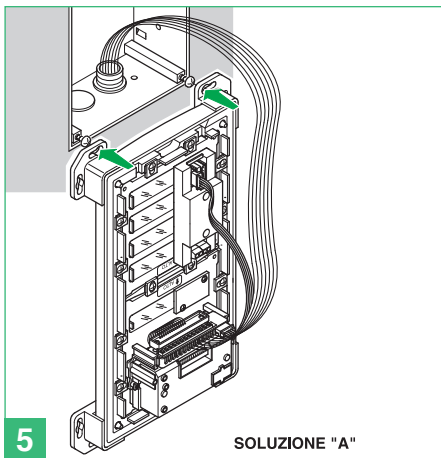
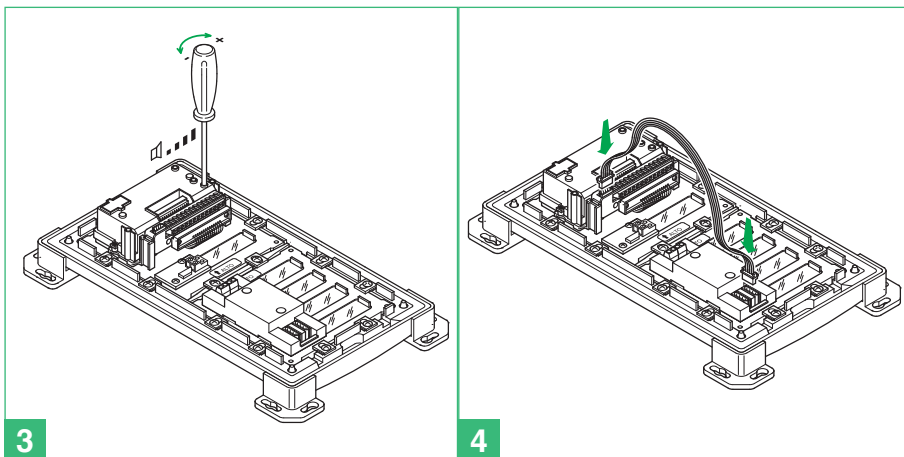
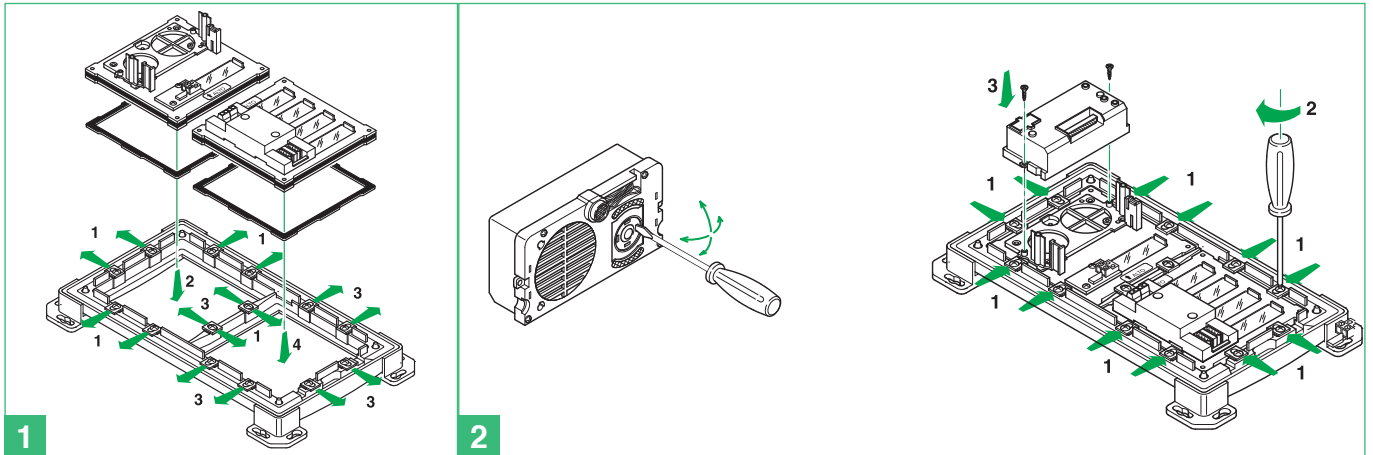
5

3269/2

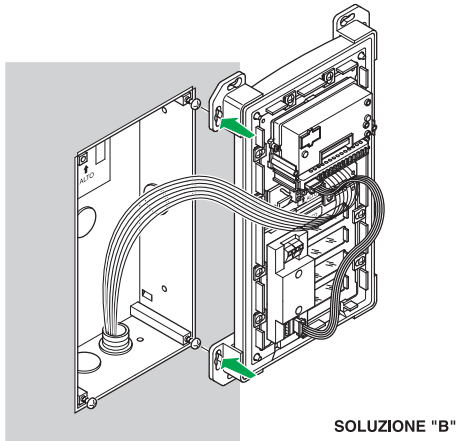
Connecting audio unit 1682 or audio-video unit Art. 4682C for use with buttons on Vandalcom external unit Art. 3262I/1 - 2 and Art. 3268I/1 - 2



Mounting audio-video unit Art. 4662C or 4682C for use with additional buttons Art. 3064/C



SOLUZIONE "A"

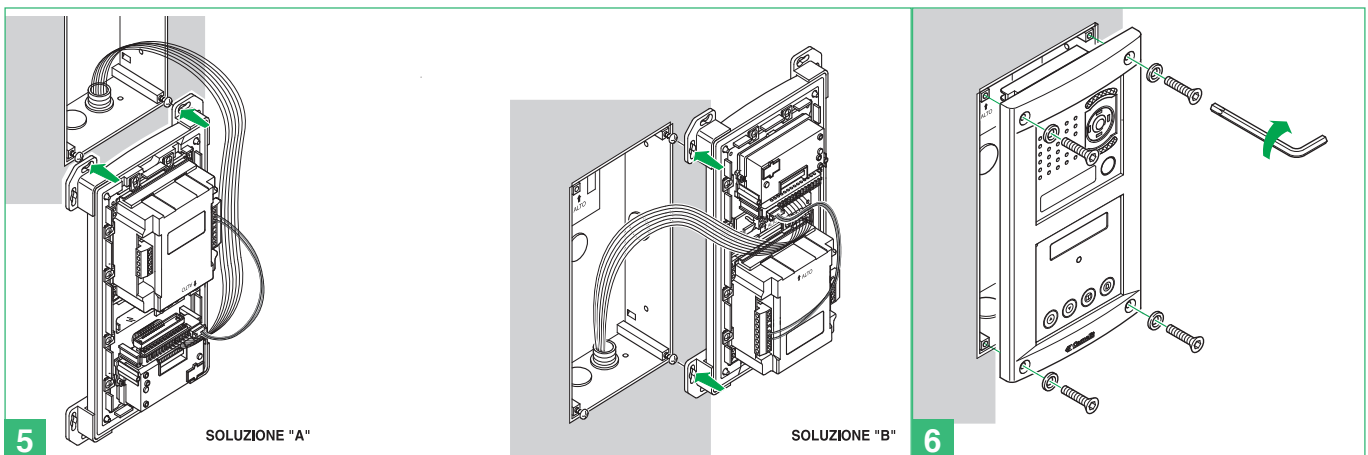
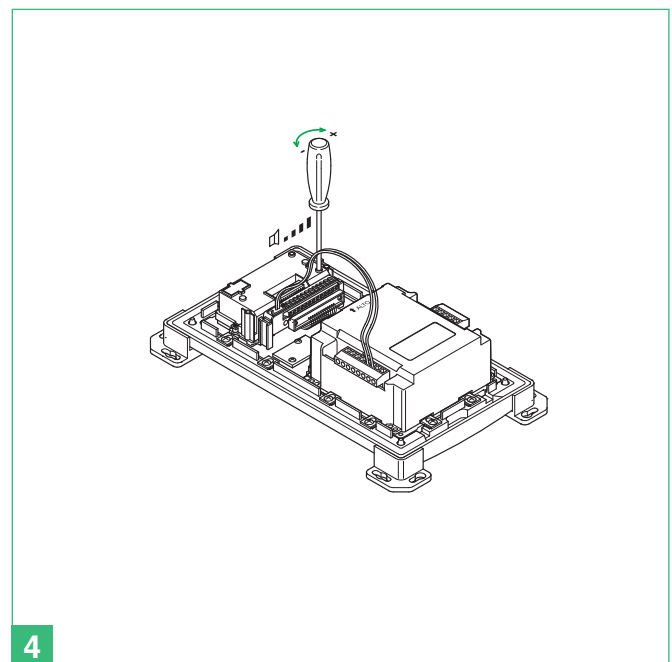
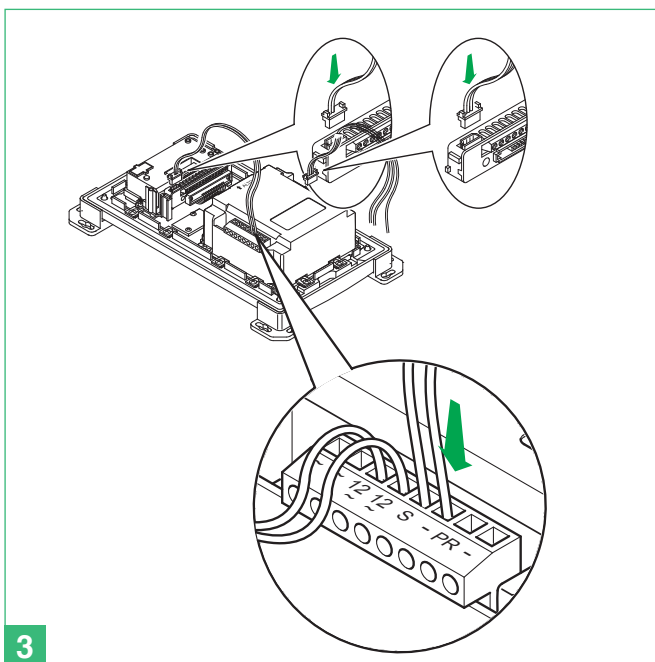
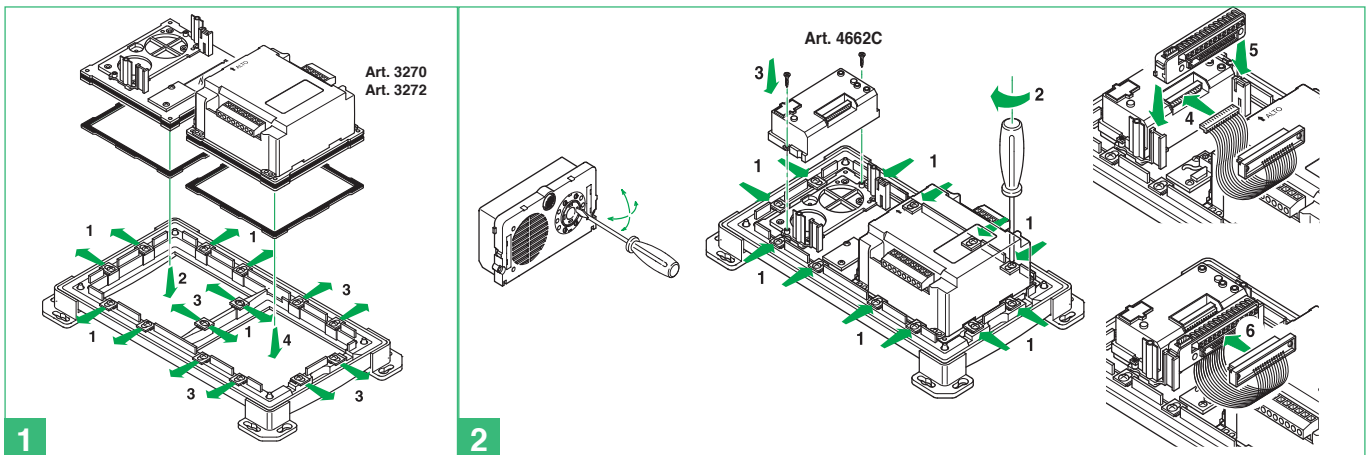


SOLUZIONE "B"

Mounting digital directories Art. 3270 - 3272 with Powercom external unit Art. 4662C



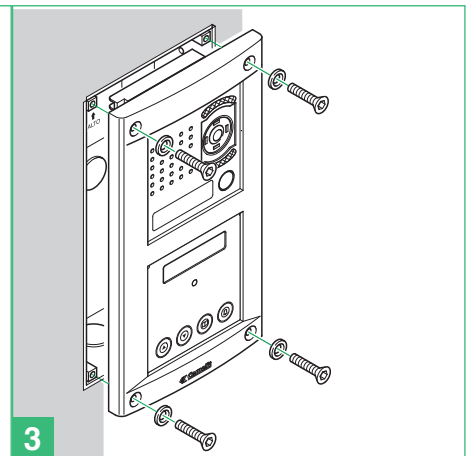
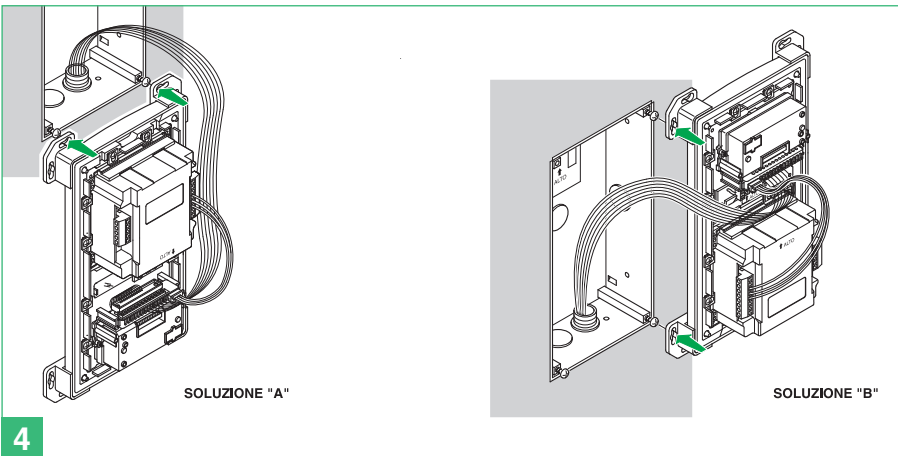
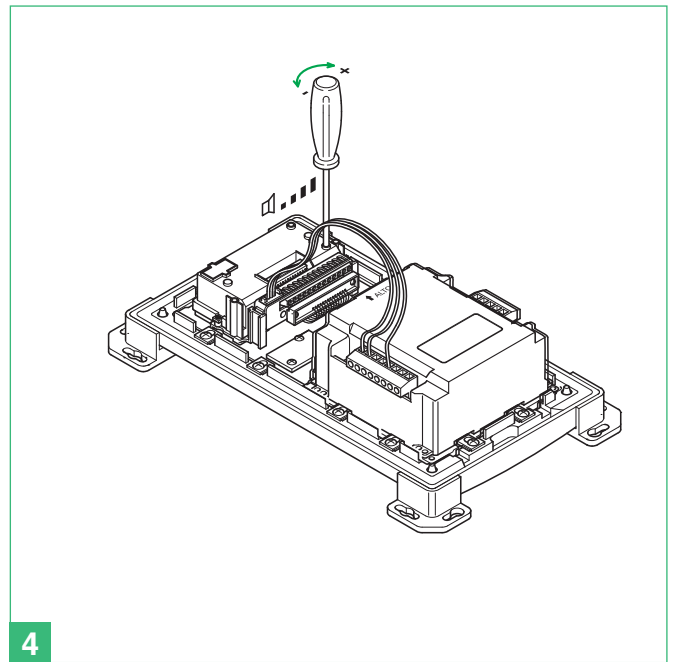
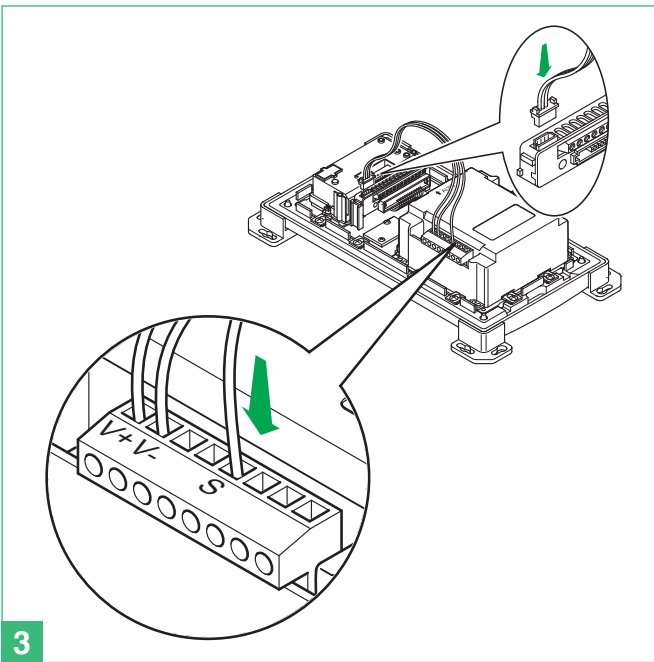
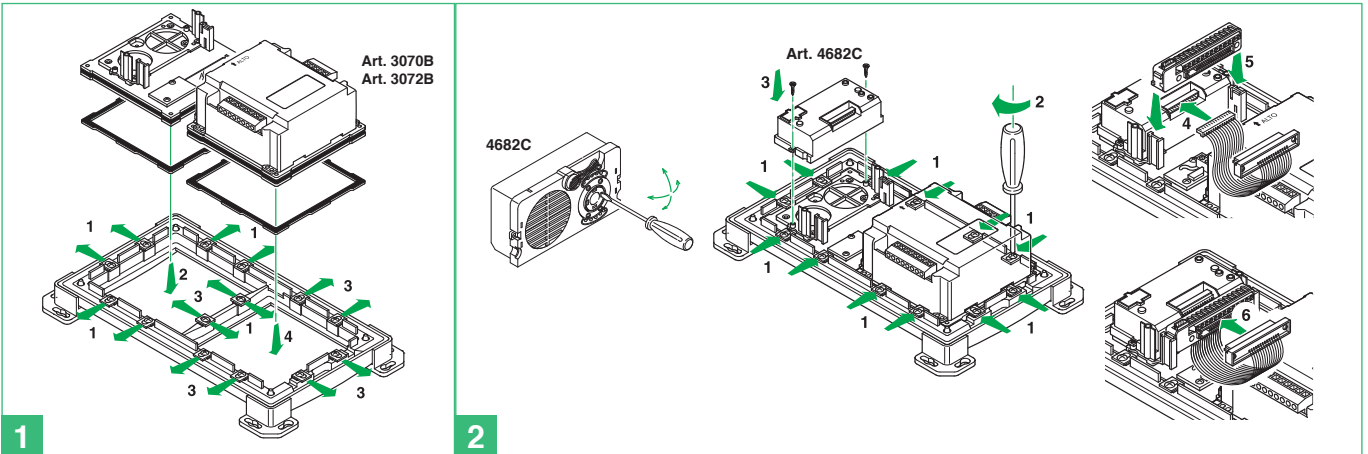
Vandalcom digital directories Art. 3270 and Art. 3272 can only be connected with Powercom external unit Art. 4662C



Mounting digital directories Art. 3070B - 3072B with IKall external unit Art. 4682C

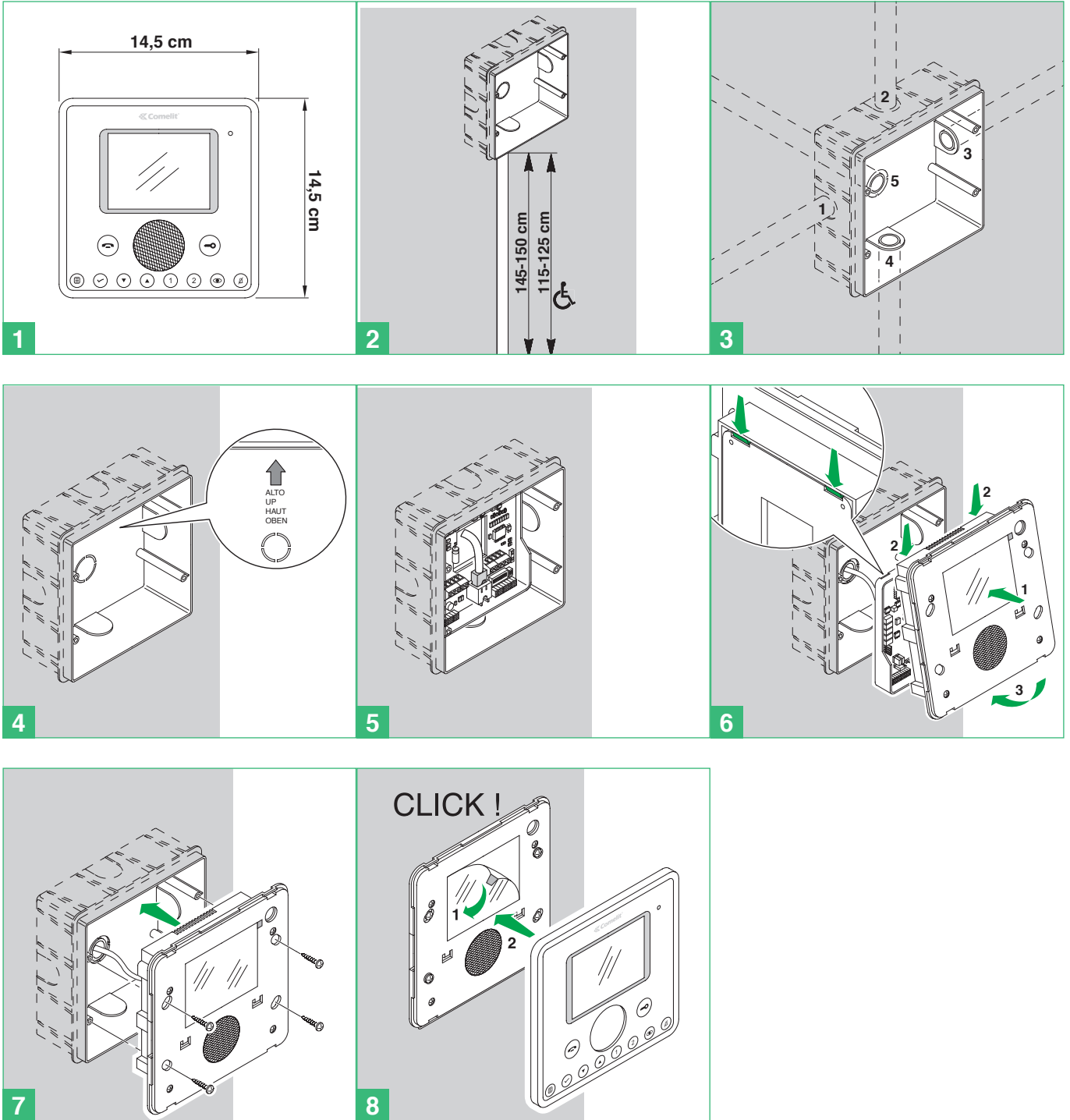


Vandalcom digital directories Art. 3070B and Art. 3072B can be connected with both IKall external unit Art. 4682C and Powercom external unit Art. 4662C. For mounting with external unit Art. 4662C, see page 34

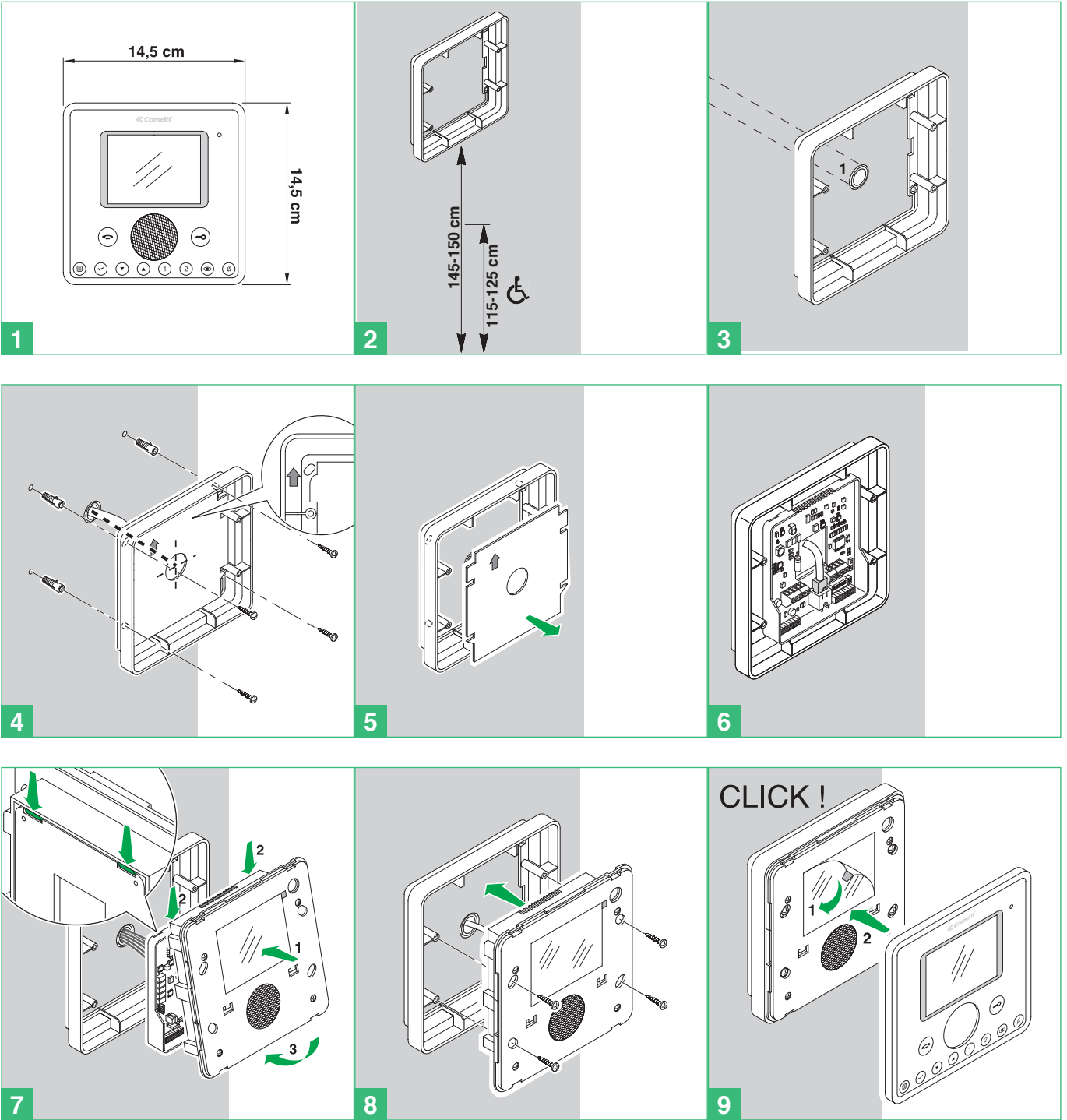


Mounting internal units

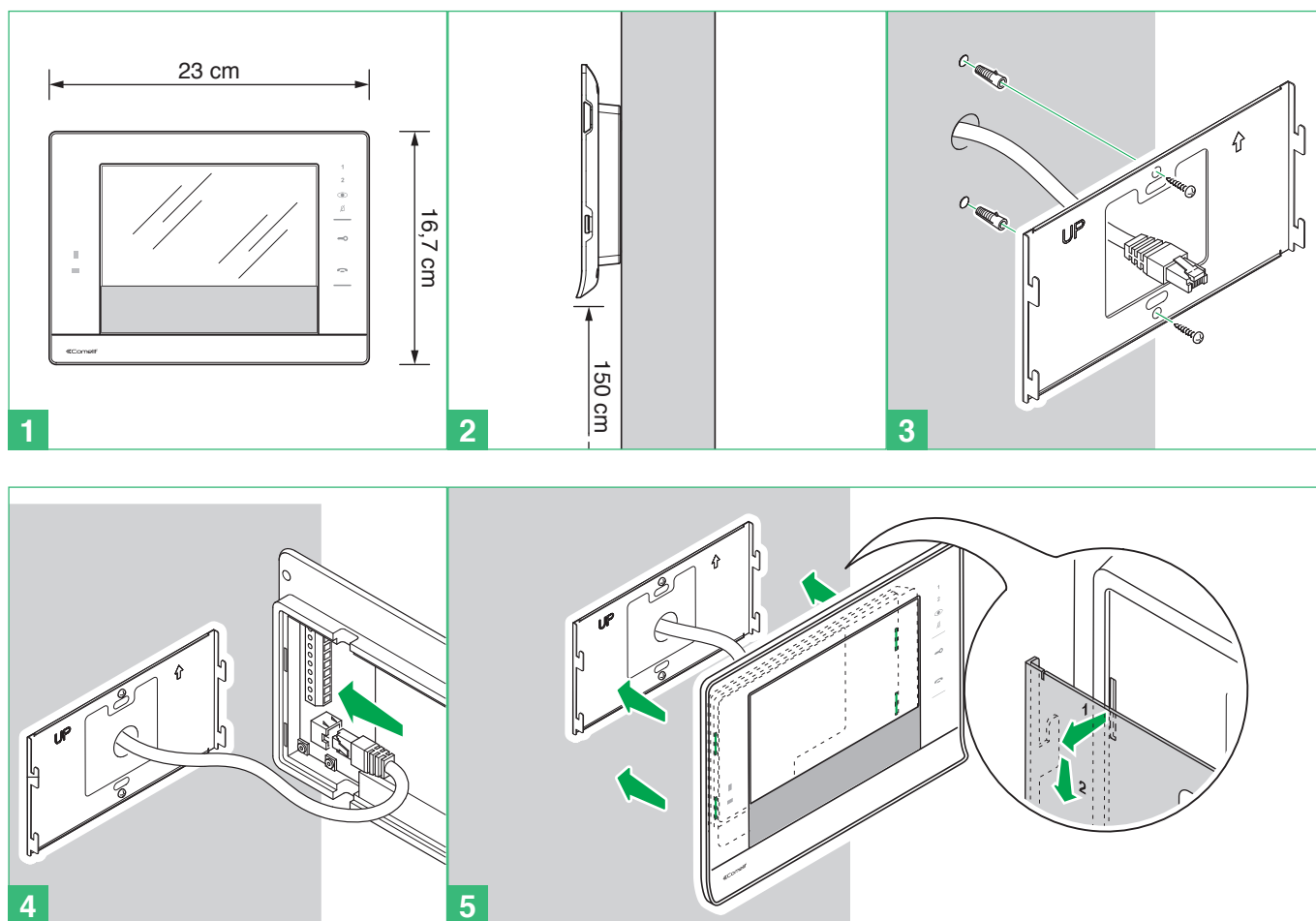
Mounting Planux monitor Art. 6202 with flush-mounted box Art. 6117



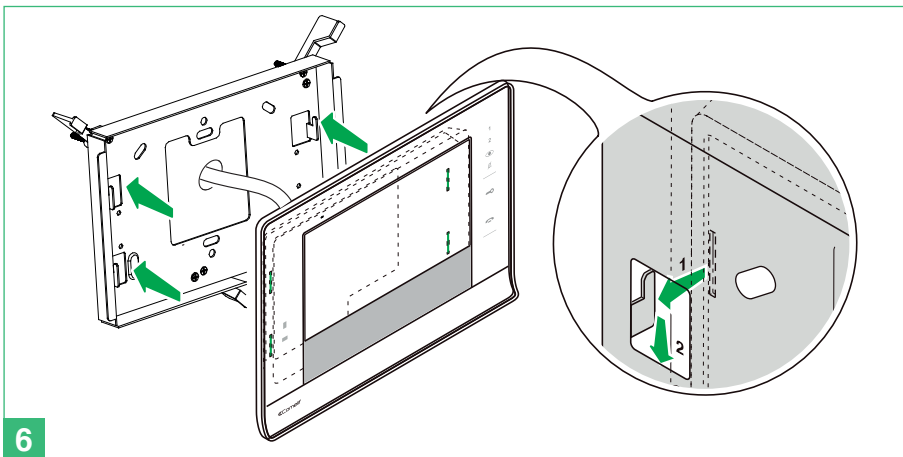
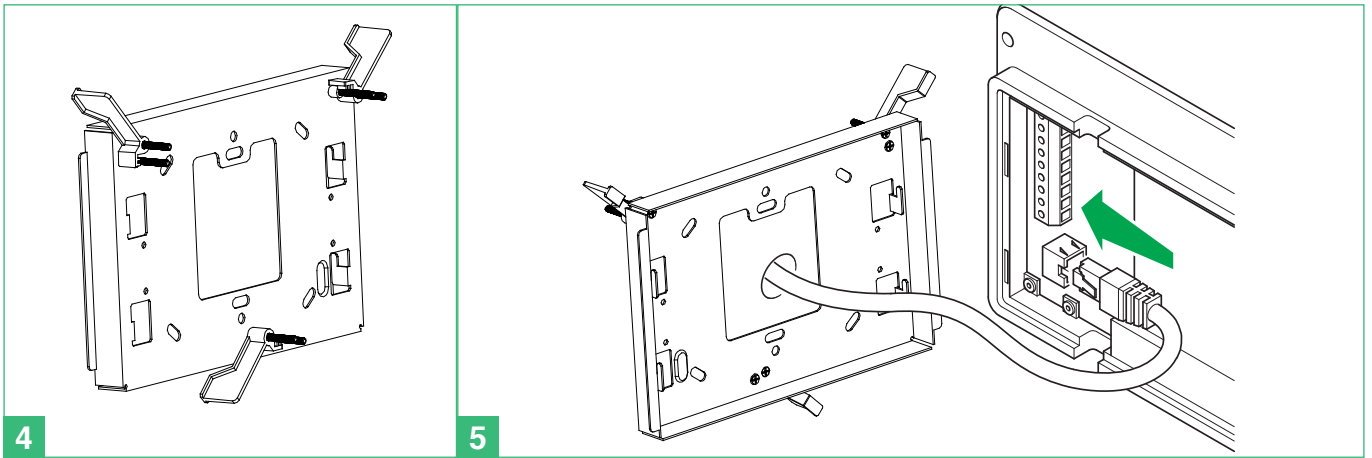
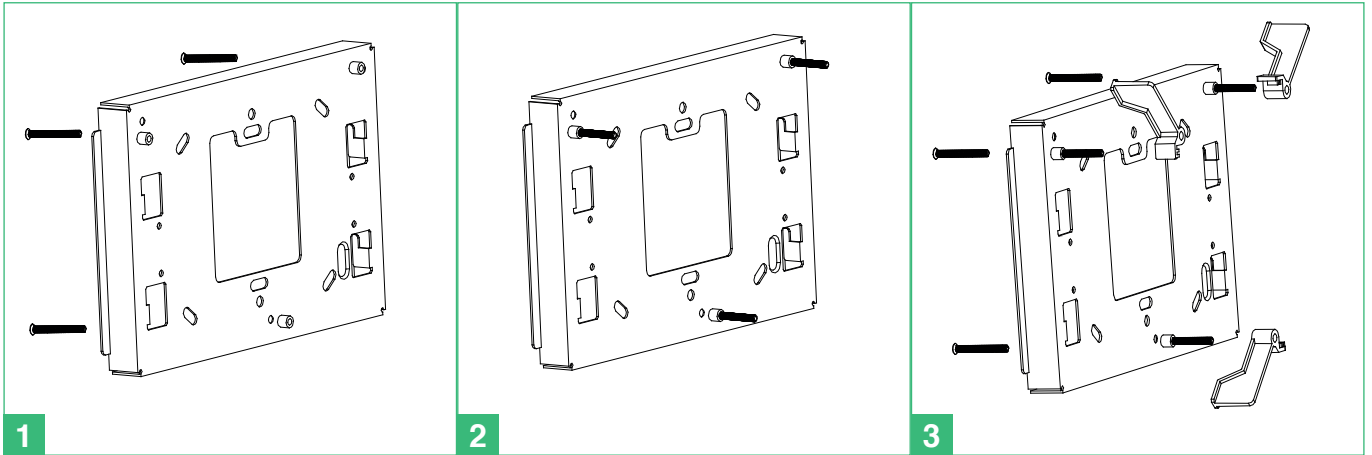
Mounting Planux monitor Art. 6202 with wall bracket Art. 6120



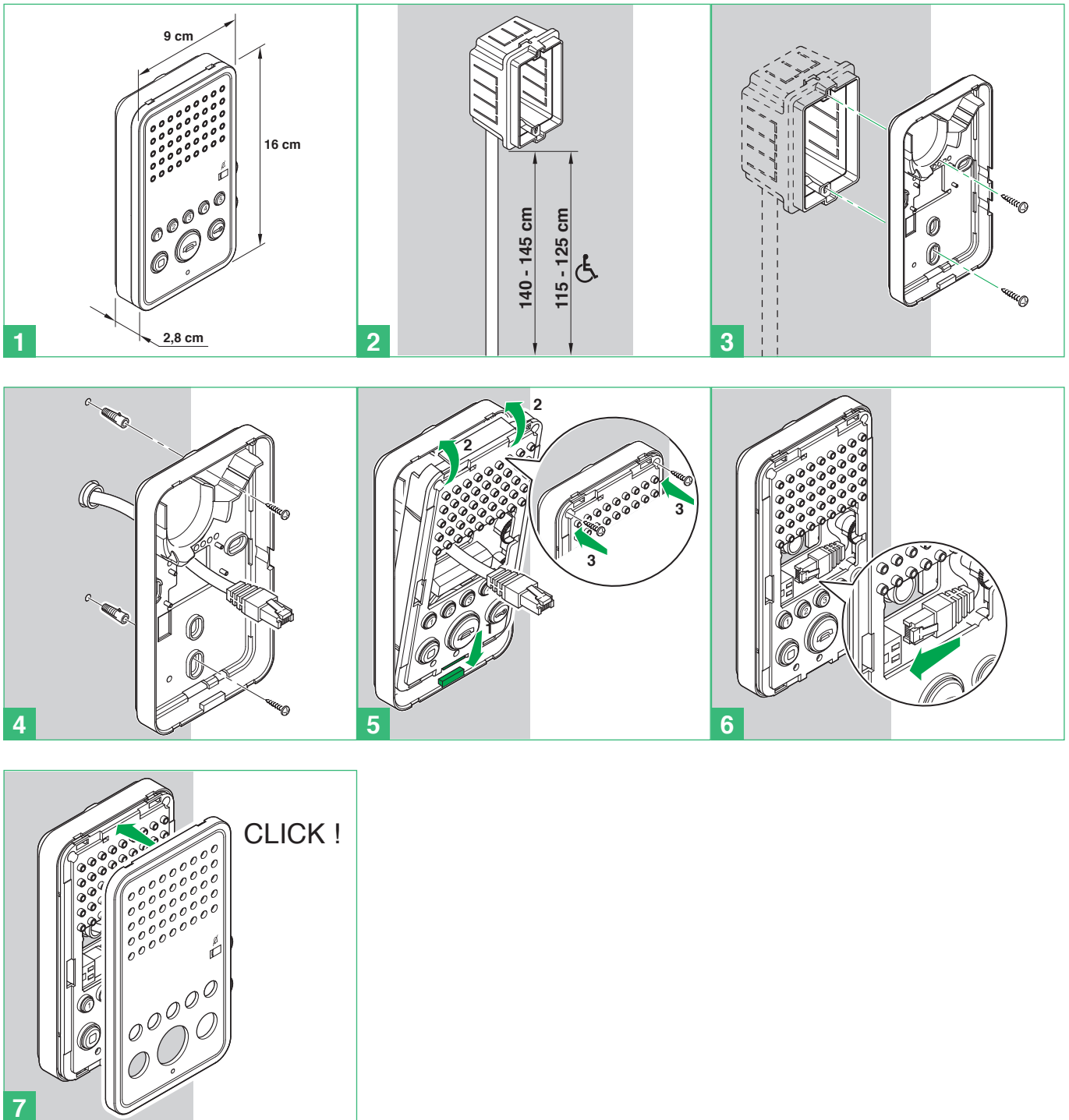
Mounting Sette Stelle monitor Art. 6501



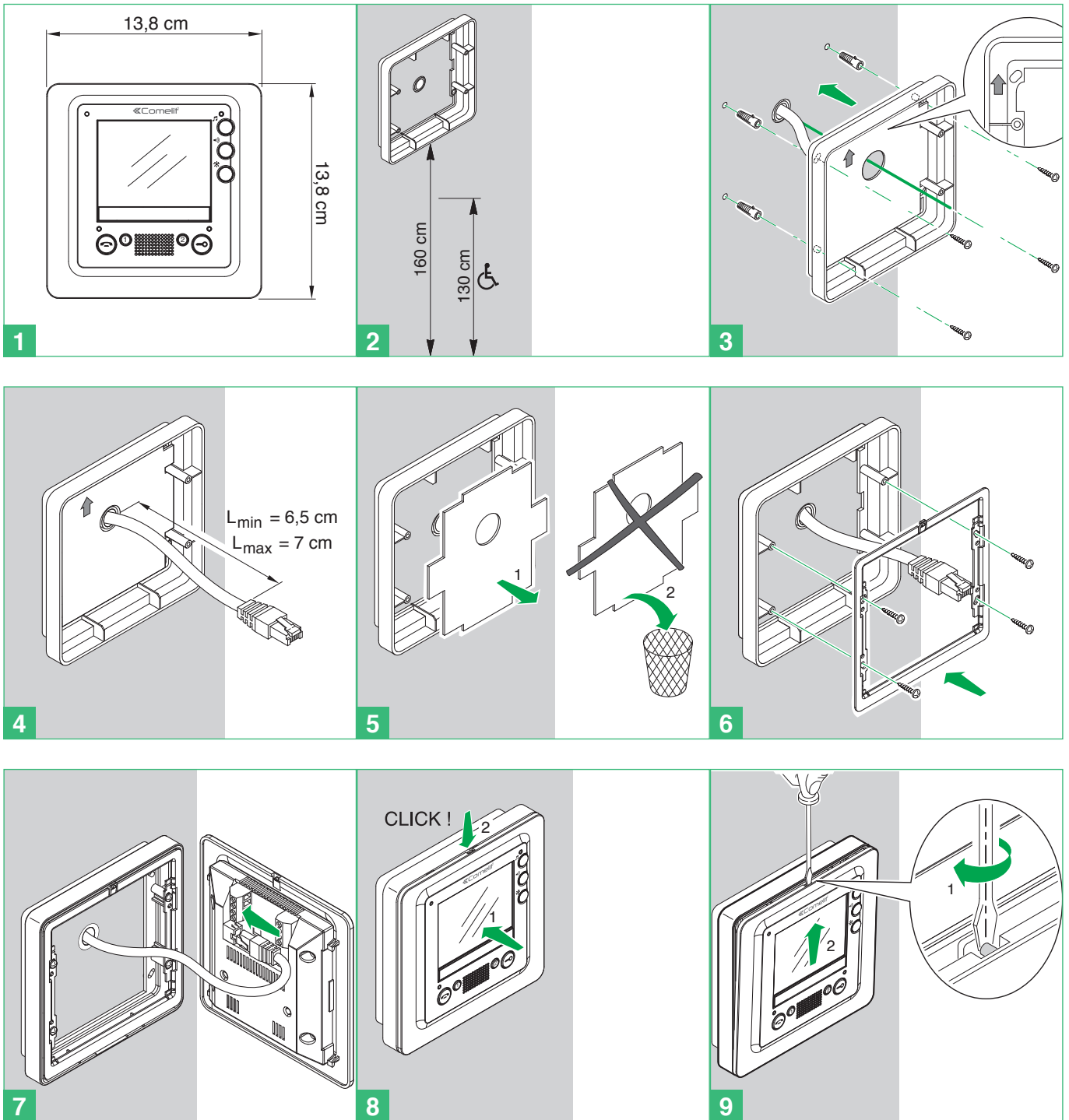
Mounting 7Stelle monitor Art. 6501 with flush-mounted box Art. 6517



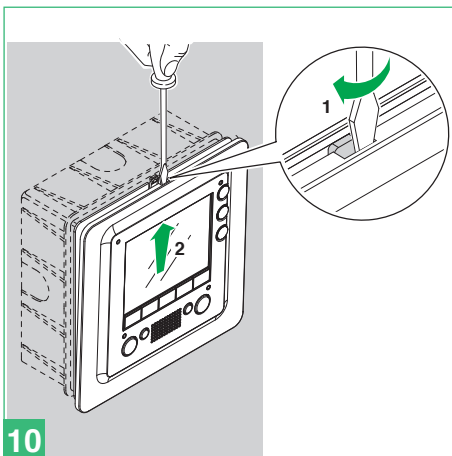
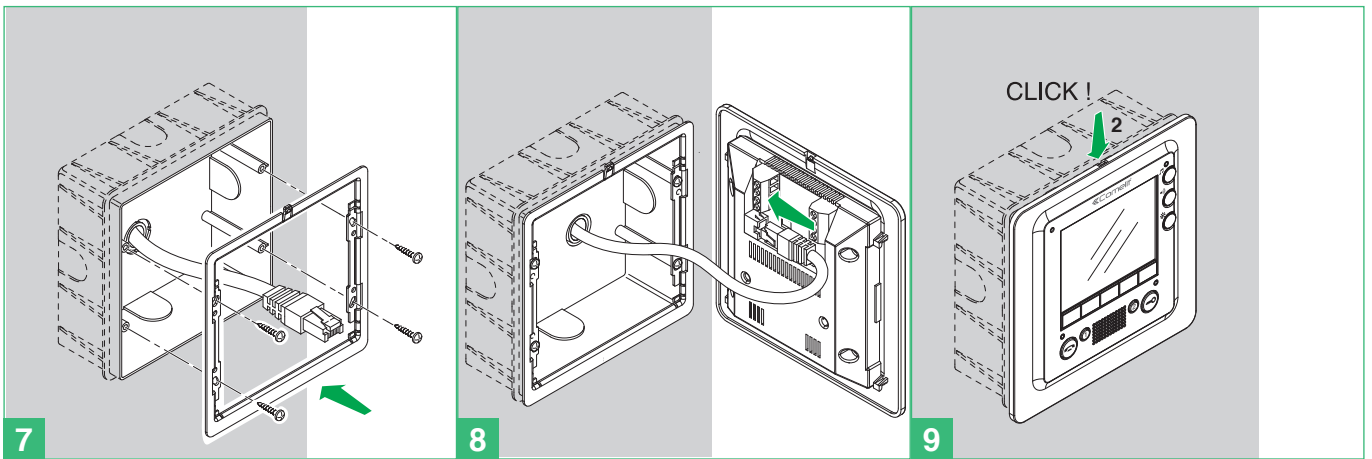
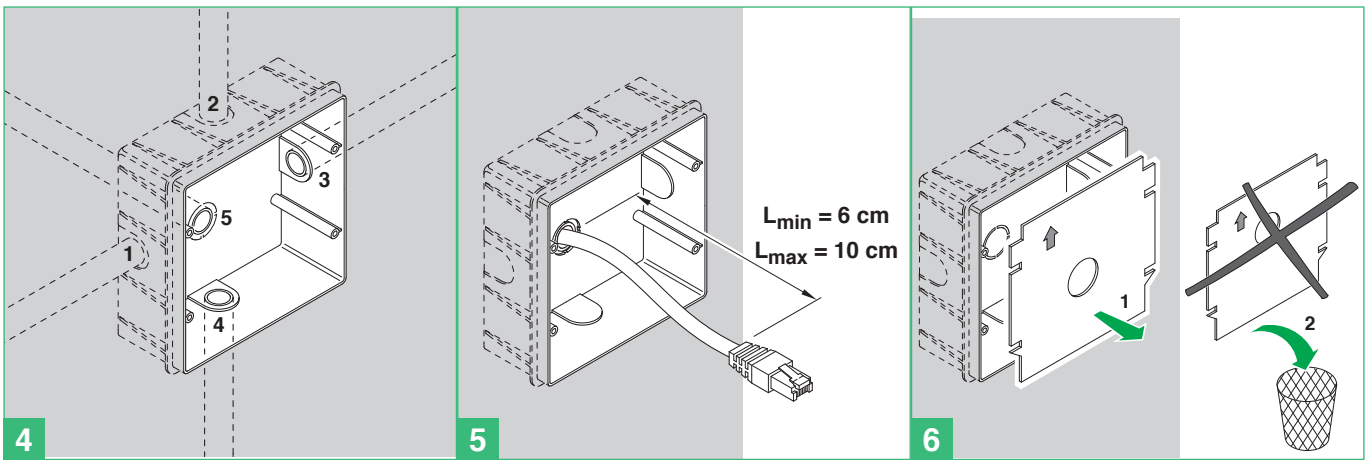
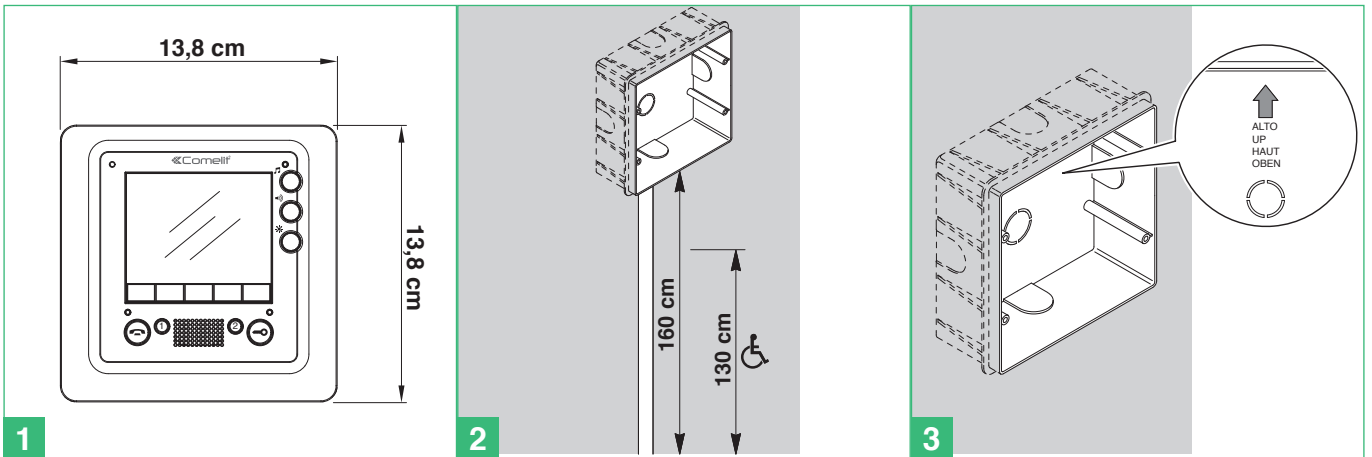
Mounting Easycom monitor Art. 6203



Mounting Smart monitor Art. 6304 with wall bracket Art. 6320



Mounting Smart monitor Art. 6304 with flush-mounted box Art. 6117



Chapter 5: Installation programming

Mac Address

Every VIP product is identified by the factory with a unique code called the Mac address. The Mac address for the product is indicated by a label on the packaging box and another label applied directly to the product itself.

VIP code

Each system device must be programmed with a different code, called the VIP address. The VIP address is an 8-digit code identifying each extension and can be entered as desired, without following any pre-set sequence. However, we recommend using a logic diagram to keep track of the addresses entered.

A logic diagram (optional) for entering the VIP address is provided below.

Example: Building/staircase/floor/apartment

- 01041156
- 00021022
- 01001223
- 01030009
- 00000012

During the installation of various products, we recommend a document is compiled to keep track of the location of the device within the system.

An example of how to compile such a document is provided below:

Mac Address	VIP Address *	Description
00252900082B	00002001	South gate external unit
00252900086C	00002002	North gate external unit
00252900023R	00000139	Apartment 1 internal unit
00252900052A	00000127	Smith apartment internal unit

* For all products, the VIP address is programmed using VIP Manager software Art. 1449, with the exception of monitors Art. 6202 and Art. 5900, which can be used to set the VIP address, even locally.

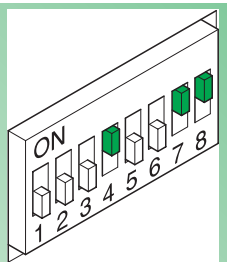
Reset procedure for external unit Art. 4662C and 4682C

1. Cut off the power supply to the external unit.
2. Enable programming mode by moving the relevant slider.
3. Set the dip switch activation code: dip switches 1-2-3 to ON, the other dip switches to OFF.
4. Restore the power supply to external unit.
5. The external unit will now beep twice to request the confirmation code.
6. Set the dip switch confirmation code: dip switches 1-2-3 to OFF, the other dip switches to ON (i.e. the opposite of the activation code).
7. Exit programming mode by moving the relevant slider.
8. The external unit will now beep for 2-3 seconds to indicate that the configuration has been reset.
9. When the beep has ended, the external unit will start up with its factory set configuration values.

Dip switch programming table

Codice / Code	Dip switch ON	Nome / Name	Codice / Code	Dip switch ON	Nome / Name	Codice / Code	Dip switch ON	Nome / Name	Codice / Code	Dip switch ON	Nome / Name
1	1		65	1.7		129	1.8		193	1,7,8	
2	2		66	2.7		130	2.8		194	2,7,8	
3	1,2		67	1,2,7		131	1,2,8		195	1,2,7,8	
4	3		68	3.7		132	3.8		196	3,7,8	
5	1,3		69	1,3,7		133	1,3,8		197	1,3,7,8	
6	2,3		70	2,3,7		134	2,3,8		198	2,3,7,8	
7	1,2,3		71	1,2,3,7		135	1,2,3,8		199	1,2,3,7,8	
8	4		72	4.7		136	4.8		200	4,7,8	
9	1,4		73	1,4,7		137	1,4,8		201	1,4,7,8	
10	2,4		74	2,4,7		138	2,4,8		202	2,4,7,8	
11	1,2,4		75	1,2,4,7		139	1,2,4,8		203	1,2,4,7,8	
12	3,4		76	3,4,7		140	3,4,8		204	3,4,7,8	
13	1,3,4		77	1,3,4,7		141	1,3,4,8		205	1,3,4,7,8	
14	2,3,4		78	2,3,4,7		142	2,3,4,8		206	2,3,4,7,8	
15	1,2,3,4		79	1,2,3,4,7		143	1,2,3,4,8		207	1,2,3,4,7,8	
16	5		80	5.7		144	5.8		208	5,7,8	
17	1,5		81	1,5,7		145	1,5,8		209	1,5,7,8	
18	2,5		82	2,5,7		146	2,5,8		210	2,5,7,8	
19	1,2,5		83	1,2,5,7		147	1,2,5,8		211	1,2,5,7,8	
20	3,5		84	3,5,7		148	3,5,8		212	3,5,7,8	
21	1,3,5		85	1,3,5,7		149	1,3,5,8		213	1,3,5,7,8	
22	2,3,5		86	2,3,5,7		150	2,3,5,8		214	2,3,5,7,8	
23	1,2,3,5		87	1,2,3,5,7		151	1,2,3,5,8		215	1,2,3,5,7,8	
24	4,5		88	4,5,7		152	4,5,8		216	4,5,7,8	
25	1,4,5		89	1,4,5,7		153	1,4,5,8		217	1,4,5,7,8	
26	2,4,5		90	2,4,5,7		154	2,4,5,8		218	2,4,5,7,8	
27	1,2,4,5		91	1,2,4,5,7		155	1,2,4,5,8		219	1,2,4,5,7,8	
28	3,4,5		92	3,4,5,7		156	3,4,5,8		220	3,4,5,7,8	
29	1,3,4,5		93	1,3,4,5,7		157	1,3,4,5,8		221	1,3,4,5,7,8	
30	2,3,4,5		94	2,3,4,5,7		158	2,3,4,5,8		222	2,3,4,5,7,8	
31	1,2,3,4,5		95	1,2,3,4,5,7		159	1,2,3,4,5,8		223	1,2,3,4,5,7,8	
32	6		96	6.7		160	6.8		224	6,7,8	
33	1,6		97	1,6,7		161	1,6,8		225	1,6,7,8	
34	2,6		98	2,6,7		162	2,6,8		226	2,6,7,8	
35	1,2,6		99	1,2,6,7		163	1,2,6,8		227	1,2,6,7,8	
36	3,6		100	3,6,7		164	3,6,8		228	3,6,7,8	
37	1,3,6		101	1,3,6,7		165	1,3,6,8		229	1,3,6,7,8	
38	2,3,6		102	2,3,6,7		166	2,3,6,8		230	2,3,6,7,8	
39	1,2,3,6		103	1,2,3,6,7		167	1,2,3,6,8		231	1,2,3,6,7,8	
40	4,6		104	4,6,7		168	4,6,8		232	4,6,7,8	
41	1,4,6		105	1,4,6,7		169	1,4,6,8		233	1,4,6,7,8	
42	2,4,6		106	2,4,6,7		170	2,4,6,8		234	2,4,6,7,8	
43	1,2,4,6		107	1,2,4,6,7		171	1,2,4,6,8		235	1,2,4,6,7,8	
44	3,4,6		108	3,4,6,7		172	3,4,6,8		236	3,4,6,7,8	
45	1,3,4,6		109	1,3,4,6,7		173	1,3,4,6,8		237	1,3,4,6,7,8	
46	2,3,4,6		110	2,3,4,6,7		174	2,3,4,6,8		238	2,3,4,6,7,8	
47	1,2,3,4,6		111	1,2,3,4,6,7		175	1,2,3,4,6,8		239	1,2,3,4,6,7,8	
48	5,6		112	5,6,7		176	5,6,8		240	5,6,7,8	
49	1,5,6		113	1,5,6,7		177	1,5,6,8		241	1,5,6,7,8	
50	2,5,6		114	2,5,6,7		178	2,5,6,8		242	2,5,6,7,8	
51	1,2,5,6		115	1,2,5,6,7		179	1,2,5,6,8		243	1,2,5,6,7,8	
52	3,5,6		116	3,5,6,7		180	3,5,6,8		244	3,5,6,7,8	
53	1,3,5,6		117	1,3,5,6,7		181	1,3,5,6,8		245	1,3,5,6,7,8	
54	2,3,5,6		118	2,3,5,6,7		182	2,3,5,6,8		246	2,3,5,6,7,8	
55	1,2,3,5,6		119	1,2,3,5,6,7		183	1,2,3,5,6,8		247	1,2,3,5,6,7,8	
56	4,5,6		120	4,5,6,7		184	4,5,6,8		248	4,5,6,7,8	
57	1,4,5,6		121	1,4,5,6,7		185	1,4,5,6,8		249	1,4,5,6,7,8	
58	2,4,5,6		122	2,4,5,6,7		186	2,4,5,6,8		250	2,4,5,6,7,8	
59	1,2,4,5,6		123	1,2,4,5,6,7		187	1,2,4,5,6,8		251	1,2,4,5,6,7,8	
60	3,4,5,6		124	3,4,5,6,7		188	3,4,5,6,8		252	3,4,5,6,7,8	
61	1,3,4,5,6		125	1,3,4,5,6,7		189	1,3,4,5,6,8		253	1,3,4,5,6,7,8	
62	2,3,4,5,6		126	2,3,4,5,6,7		190	2,3,4,5,6,8		254	2,3,4,5,6,7,8	
63	1,2,3,4,5,6		127	1,2,3,4,5,6,7		191	1,2,3,4,5,6,8		255	1,2,3,4,5,6,7,8	
64	7		128	8		192	7,8				

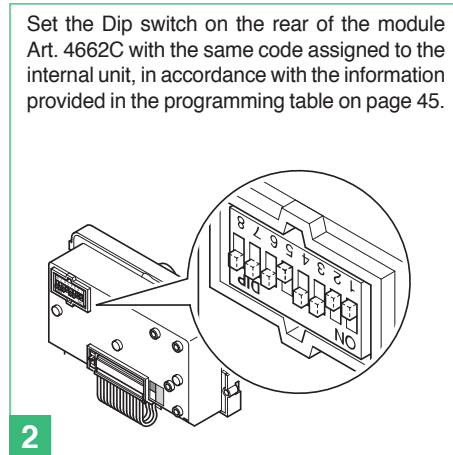
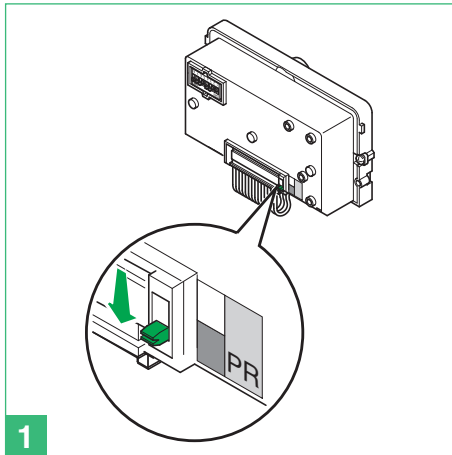
EXAMPLE setting code 200.



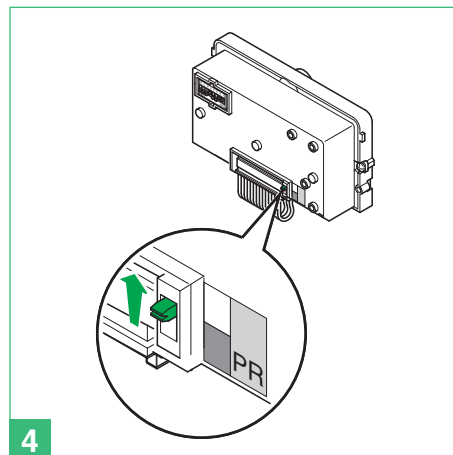
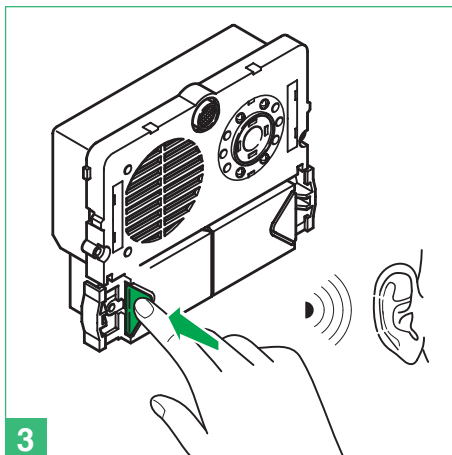
Manually programming buttons on external unit Art. 4662C

The following procedure can be used to program buttons with VIP codes in the range between 1 and 255 only. To program higher VIP addresses, use VIP Manager software Art. 1449.

1. Perform the wiring for the external unit.
2. Power up the external unit, carry out steps (1-4).



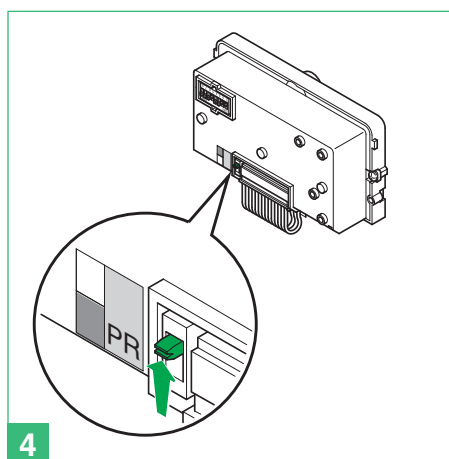
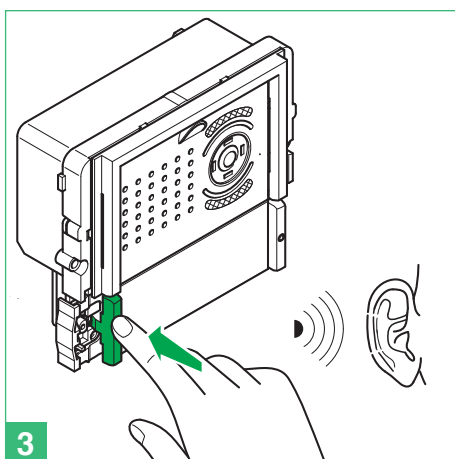
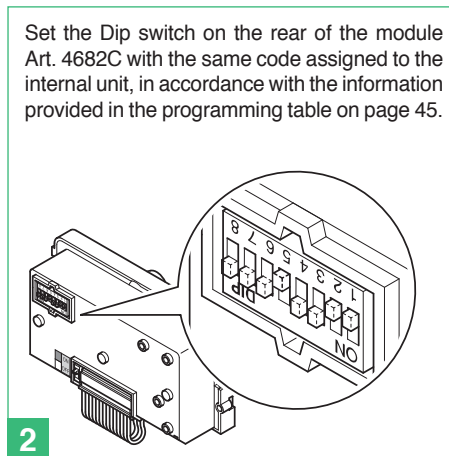
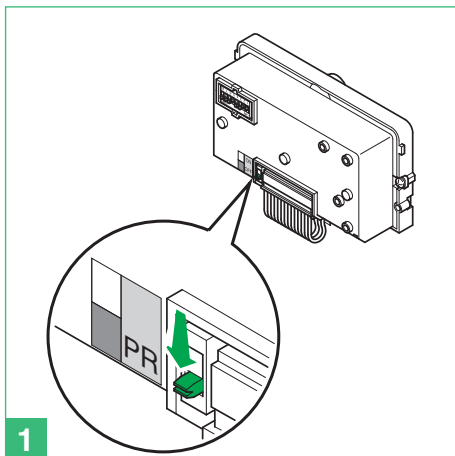
Set the Dip switch on the rear of the module Art. 4662C with the same code assigned to the internal unit, in accordance with the information provided in the programming table on page 45.



Manually programming buttons on external unit Art. 4682C

The following procedure can be used to program buttons with VIP codes in the range between 1 and 255 only. To program higher VIP addresses, use VIP Manager software Art. 1449.

1. Perform the wiring for the external unit.
2. Power up the external unit, carry out steps (1-4).



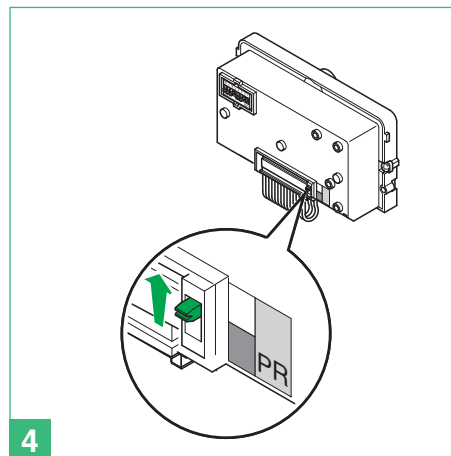
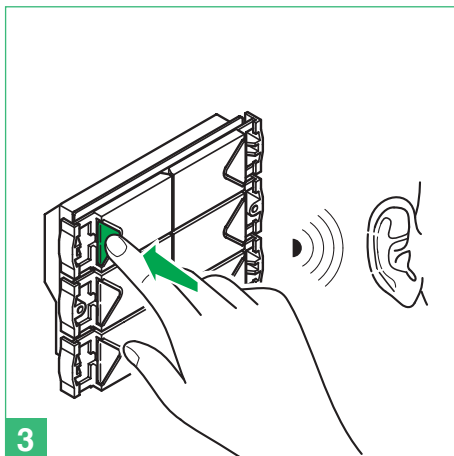
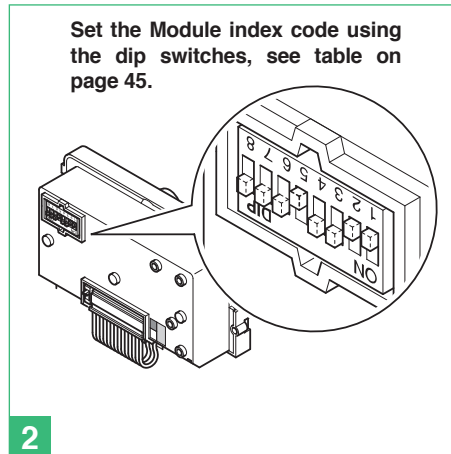
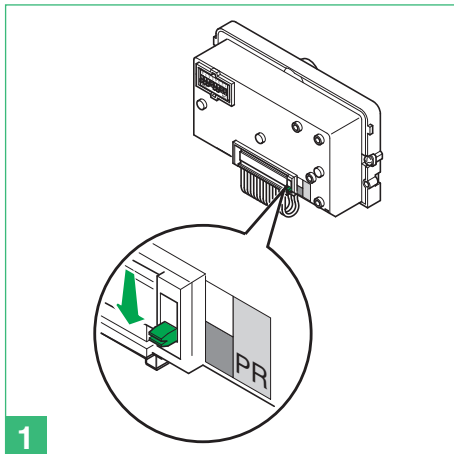
Assigning module index to additional button products

Art. 3337/3 - 4 - 6

Follow the procedure below for each module Art. 3337 connected to the system.

! This procedure is used to assign an index to modules Art. 3337. The module index must then be used with the VIP Manager software to complete module programming (see manual for VIP Manager software Art. 1449).

1. Perform module and button wiring.
2. Power up the external unit, carry out steps (1-4).



Make a note of the address which has just been set on module Art. 3337 and the VIP address of the external unit to which it is connected, as in the following example.

Art. 4662C VIP address	Art. 3337 Module index
00000600	236

Assigning module index to additional button products

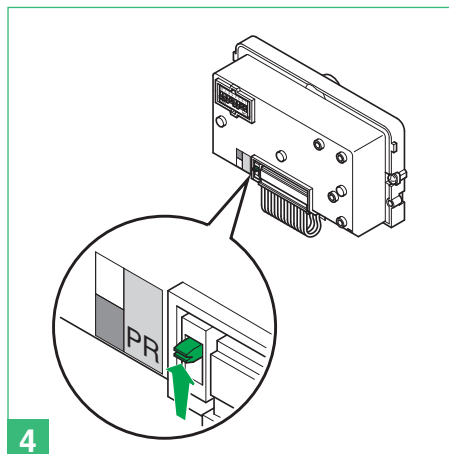
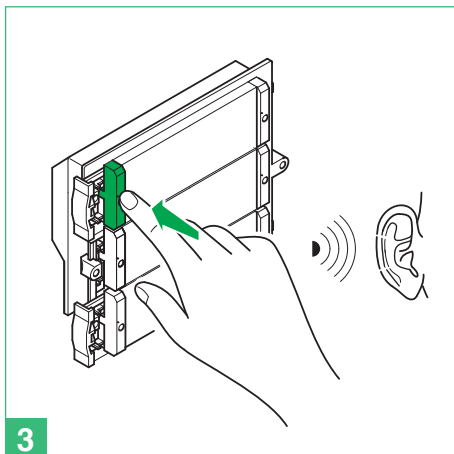
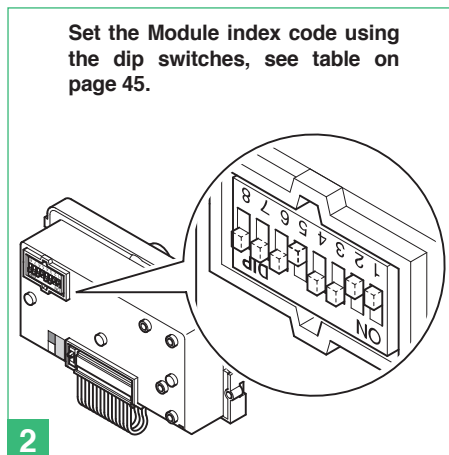
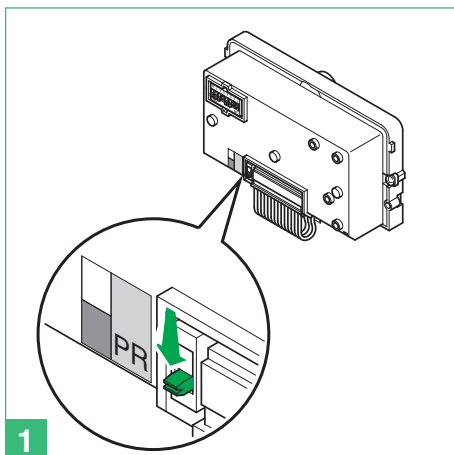
Art. 33433 - 33434 - 33436

Follow the procedure below for each module Art. 3343 connected to the system.



This procedure is used to assign an index to modules Art. 3343. The module index must then be used with the VIP Manager software to complete module programming (see manual for VIP Manager software Art. 1449).

1. Perform module and button wiring.
2. Power up the external unit, carry out steps (1-4).



Make a note of the address which has just been set on module Art. 3337 and the VIP address of the external unit to which it is connected, as in the following example.

Art. 4682C VIP address	Art. 3337 Module index
00000600	236

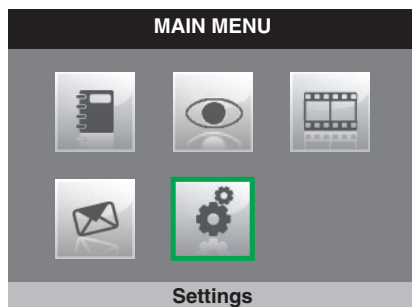
Programming internal units

We recommend using VIP Manager software Art. 1459 to program the internal units. However, the main parameters of some internal units (Planux, 7Stelle, Smart and CPS) can be set directly on the product itself, where necessary.

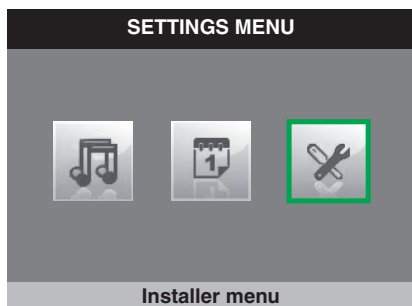
Planux monitor Art. 6202 and Smart monitor Art. 6304 (only with optional buttons Art. 6332)

• Accessing the installer menu

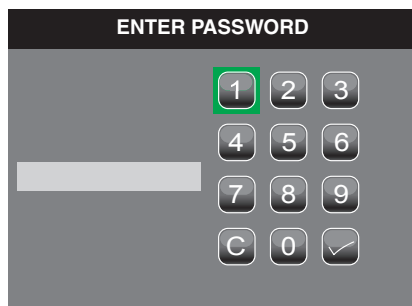
1. Press button and select the **Settings** menu using buttons and .



2. Press button to access and select the **Installer** menu using buttons and .

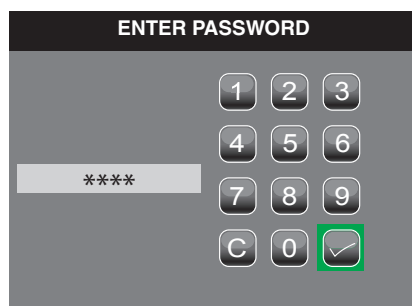


3. Press to access it.

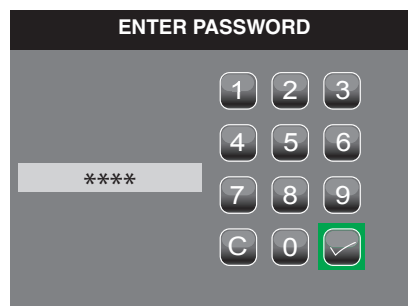


The password for the installer menu is 0000. The password cannot be changed.

4. Select the digits using and and enter by pressing .

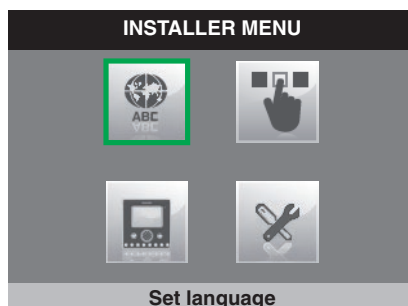


5. When you have finished entering digits, select the icon .



• Setting the menu language

1. Access the installer menu.
2. Select the **Set language** menu using buttons and .



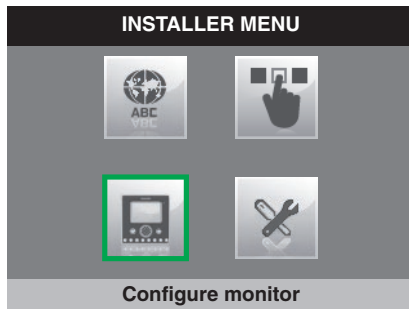
3. Press to access it.



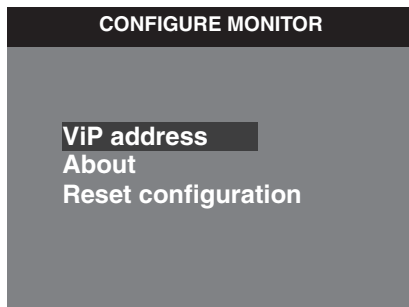
4. Select the language using and and set by pressing .
5. Press to exit and save the changes.

• Programming the VIP code for main Planux monitors

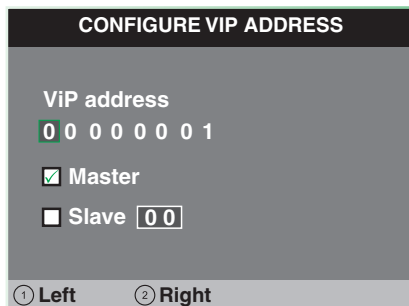
1. Access the installer menu.
2. Select the **Configure monitor** menu using buttons \uparrow , \downarrow .



3. Press \checkmark to access it.

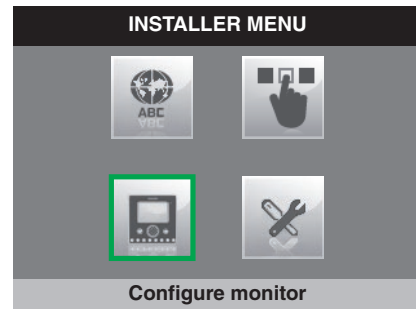


4. Press button \checkmark to access the **ViP address** menu.
5. Change the address using buttons \uparrow , \downarrow . Use buttons \leftarrow , \rightarrow to pass from one digit to the next.

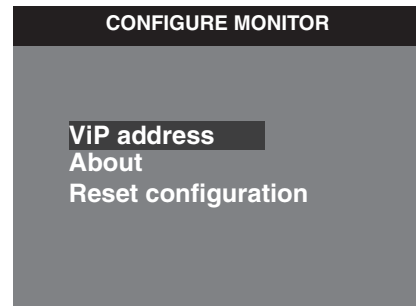


• Programming the VIP code for secondary Planux monitors

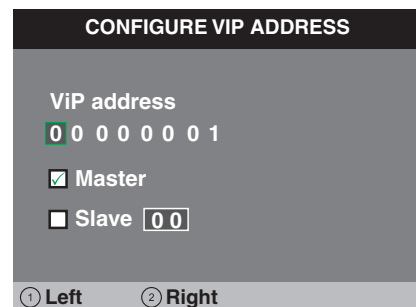
1. Access the installer menu.
2. Select the **Configure monitor** menu using buttons \uparrow , \downarrow .



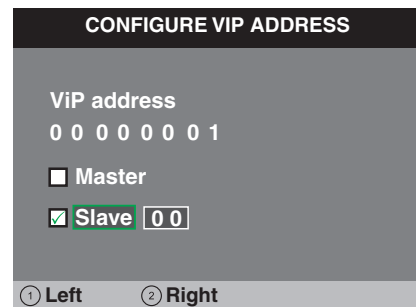
3. Press \checkmark to access it.
4. Press button \checkmark to access the **ViP address** menu.



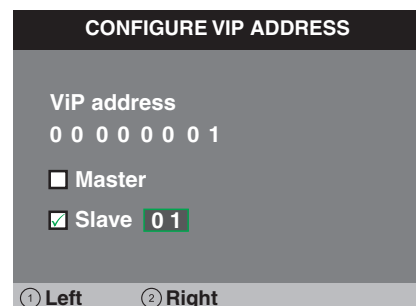
5. Set the logic address for the main monitor in the same residential unit using buttons \uparrow , \downarrow . Use buttons \leftarrow , \rightarrow to pass from one digit to the next.



6. Move over the **Slave** option using buttons \leftarrow , \rightarrow and press \checkmark to confirm.



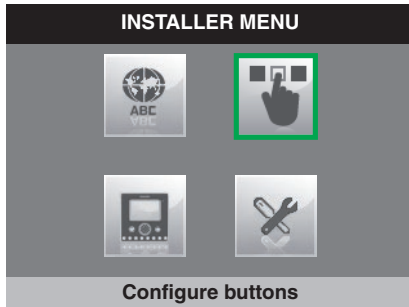
7. Move over the **Slave address** option using buttons \leftarrow , \rightarrow and change the address using buttons \uparrow , \downarrow .



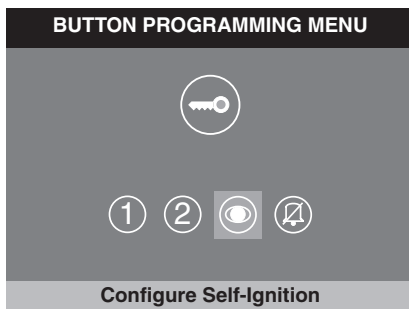
• **Configuring 1 - 2 or Self-ignition buttons**

1 - 2 and Self-ignition buttons are programmed in the same way and can perform the same functions. The programming procedure, which applies to all 3 buttons, is described below.

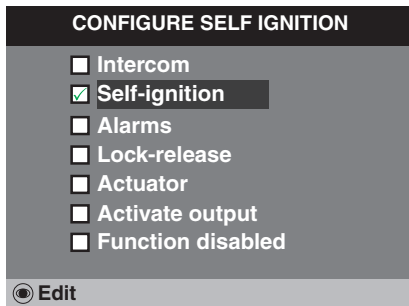
1. Access the installer menu.
2. Select the **Configure buttons** menu by pressing \uparrow , \downarrow and press \checkmark to access it.



3. Select the **Configure Self-Ignition** menu by pressing \uparrow , \downarrow and press \checkmark to access it.



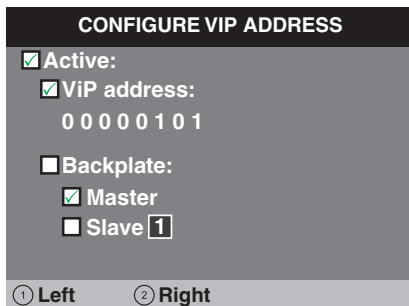
4. Select the function you wish to assign to the button using \uparrow , \downarrow and press \checkmark to confirm.



5. Once the desired function has been selected, press \odot to change the settings.

If the Intercom function is selected:

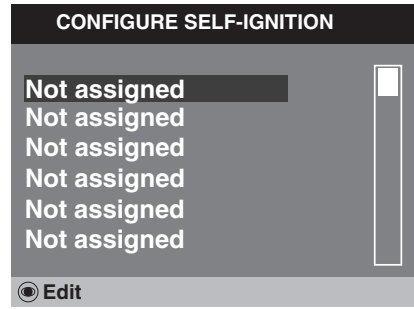
- Select the fields which can be changed using ①, ② and change the value using \uparrow , \downarrow or \checkmark .



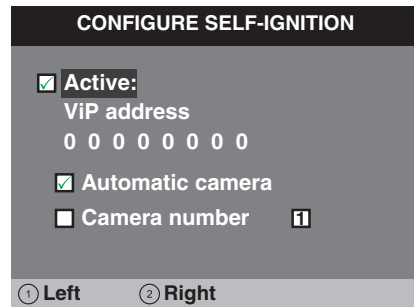
- The **VIP address** function determines the address of the internal unit to be called once the button is pressed.
- The **Backplate** function determines whether to call the main or secondary internal unit with the same VIP address.

If the Self-ignition function is selected:

1. Press the \odot button.



2. Press \checkmark to activate the function.
3. Select the fields which can be changed using ①, ② and change the value using \uparrow , \downarrow or \checkmark .

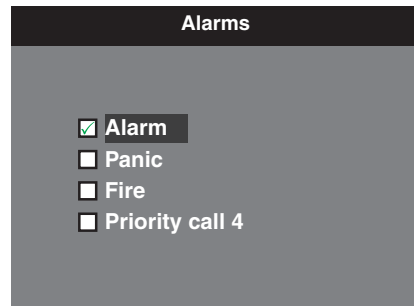


- The **VIP address** function determines the address of the external unit or remote camera module Art. 1445.
- Select the **Automatic camera** function to link the camera for external unit Art. 4662C.
- Select the **Camera number** function and enter the input number from the 4 available when using a remote camera module Art. 1445.

If the Alarm function is selected:

If you press the button a priority call will be sent to the configured VIP address.

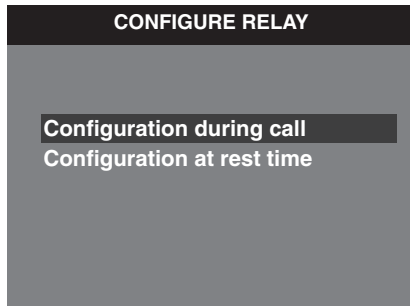
1. Select the type of call you wish to assign to the button using \uparrow , \downarrow and press \checkmark to confirm.



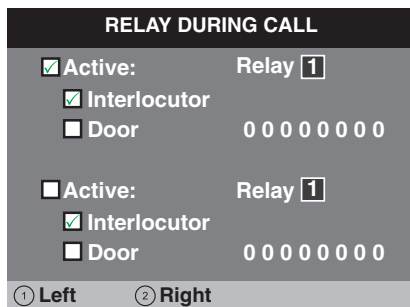
For call configuration, see page 54.

If the Lock-release function is selected:

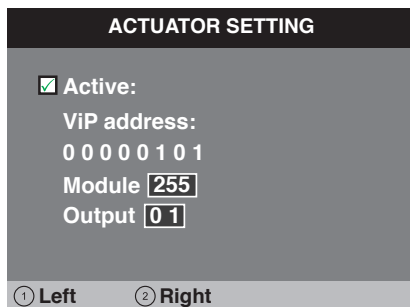
1. Select the mode for which you wish to change the function using \uparrow , \downarrow and press \checkmark to confirm.



2. Select the fields which can be changed using ①, ② and change the value using \uparrow , \downarrow or \checkmark .



If the Actuator function is selected:



- The **ViP address** field identifies actuator module Art. 1443.
- In the **Module** field, select whether to activate the relays on board the module (255) or those on the expansion module Art. SK9071 connected to it (1 to 10).
- In the **Output** field, select the relay you intend to activate. 1 or 2 if you enter 255 in the module field. 1 to 10 if you enter an expansion module in the module field.

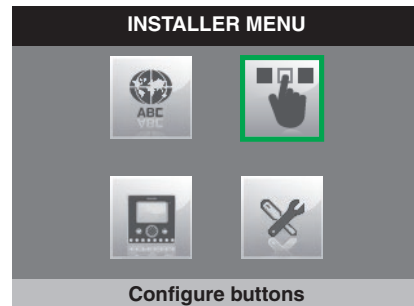
If the Activate Output function is selected:

The button will control an NC/NO output which can be programmed as monostable or bistable.

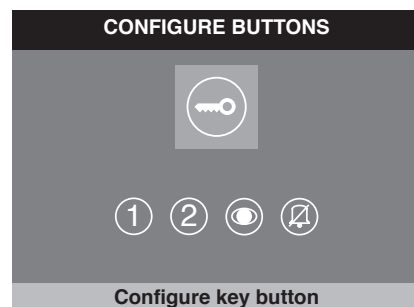
For output configuration, see page 56.

• Configuring the key button

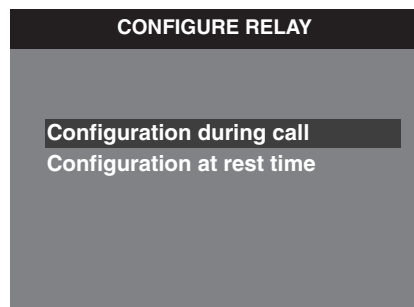
1. Access the installer menu.
2. Select the **Configure buttons** menu by pressing \uparrow , \downarrow and press \checkmark to access it.



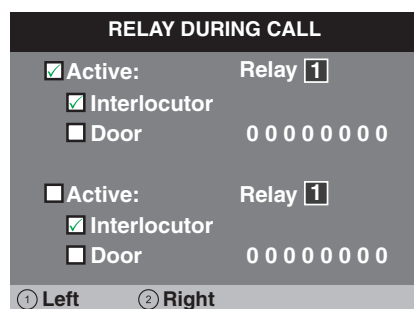
3. Press \checkmark to access it.



4. Select the mode for which you wish to change the function using \uparrow , \downarrow and press \checkmark to confirm.



5. Select the fields which can be changed using ①, ② and change the value using \uparrow , \downarrow or \checkmark .

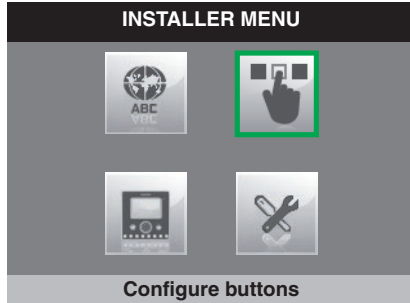


6. Press ESC to exit and save the changes.

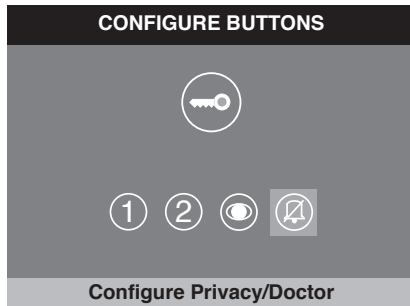
• Configuring the Privacy / Doctor button

The Privacy function disables the ringtone for calls from the external unit and intercom. The Doctor function, as well as disabling the door-entry phone ringtone in the same way as the Privacy function, also enables automatic activation of the lock-release in response to a call from the external unit.

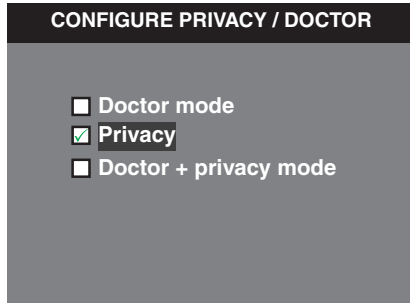
1. Access the installer menu.
2. Select the **Configure buttons** menu by pressing \uparrow , \downarrow and press \checkmark to access it.



3. Select the **Configure Privacy/Doctor** menu by pressing \uparrow , \downarrow and press \checkmark to access it.



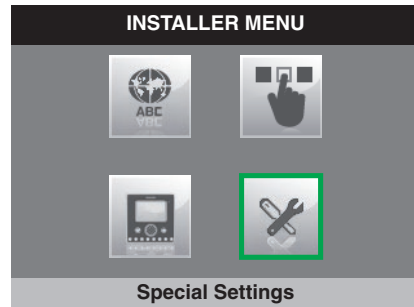
4. Select the function you wish to assign to the button using \uparrow , \downarrow and press \checkmark to confirm.



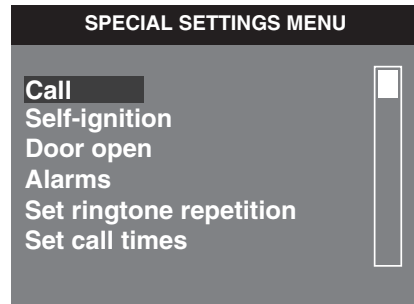
5. Press ESC to exit and save the changes.

• Configuring the intercom directory

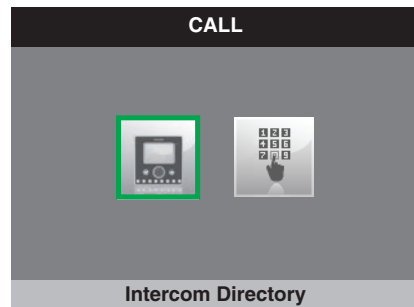
1. Access the installer menu.
2. Select the **Special Settings** menu by pressing \uparrow , \downarrow and press \checkmark to access it.



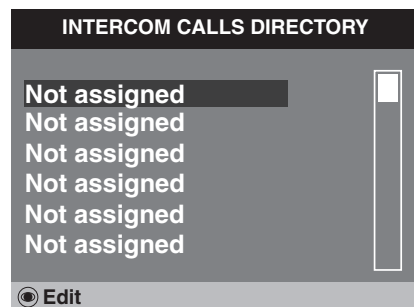
3. Press button \checkmark to access the **Call** menu.



4. Press button \checkmark to access the **Intercom Directory** menu.



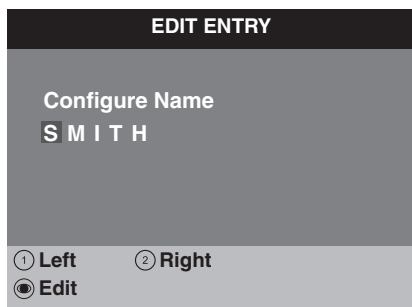
5. Press the ESC button.



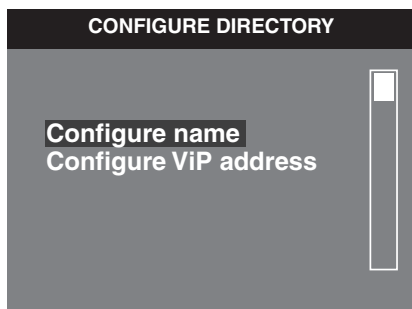
6. Press button \checkmark to access the **Configure name** menu.



7. Enter the desired name using buttons ▲, ▼ to change the letters, ①, ② to move right or left and ● to delete.

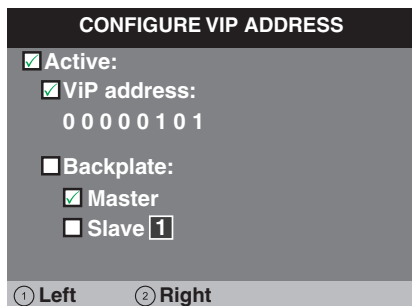


8. Press button ● to return to the previous menu.



9. Select the **Configure ViP address** menu by pressing ▲, ▼ and press ✓ to access it.

10. Select the fields which can be changed using ①, ② and change the value using ▲, ▼ or ✓.

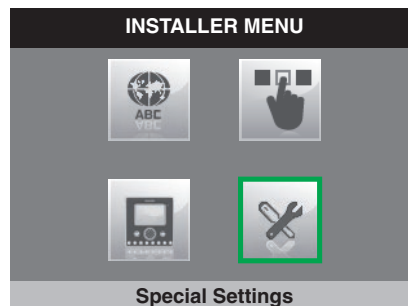


- The **ViP address** function determines the address of the internal unit to be called once the button is pressed.
- The **Backplate** function determines whether to call the main or secondary internal unit with the same ViP address.

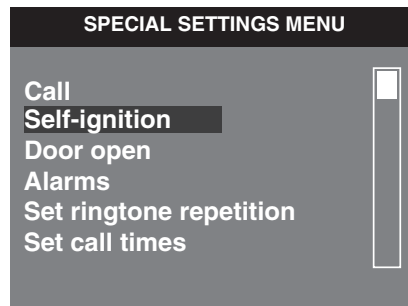
11. Press ● to exit and save the changes.

• Configuring the self-ignition directory

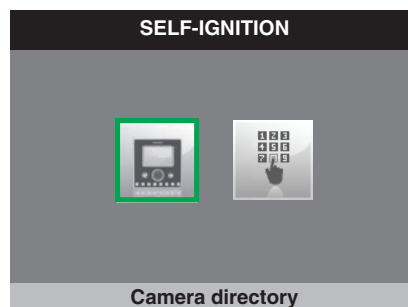
1. Access the installer menu.
2. Select the **Special Settings** menu by pressing ▲, ▼ and press ✓ to access it.



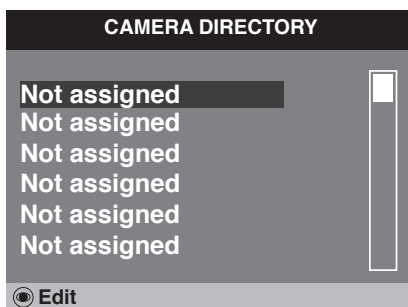
3. Select the Self-ignition menu by pressing ▲, ▼ and press ✓ to access it.



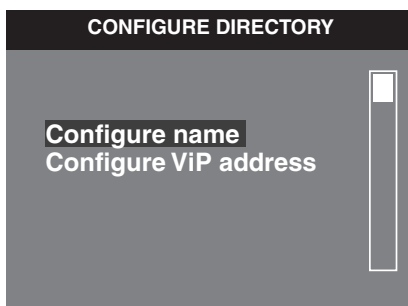
4. Press button ✓ to access the **Camera directory** menu.



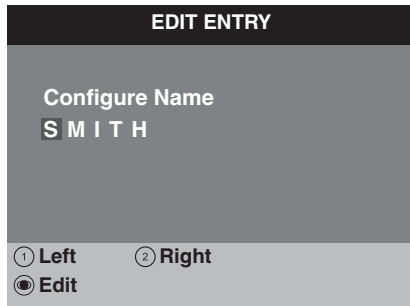
5. Press the ● button.



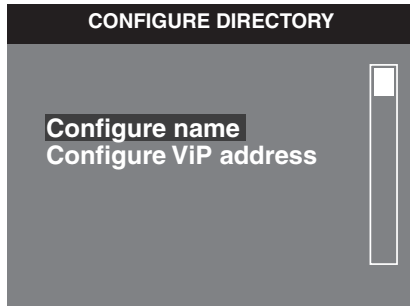
6. Press button ✓ to access the **Configure name** menu.



7. Enter the desired name using buttons ▲, ▼ to change the letters, ①, ② to move right or left and ● to delete.

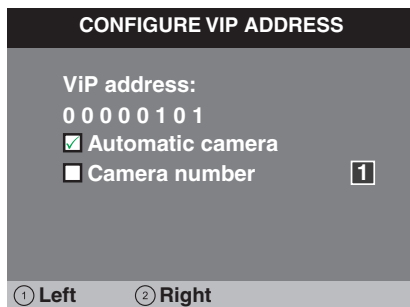


8. Press button ● to return to the previous menu.



9. Select the **Configure ViP address** menu by pressing ▲, ▼ and press ✓ to access it.

10. Select the fields which can be changed using ①, ② and change the value using ▲, ▼ or ✓.



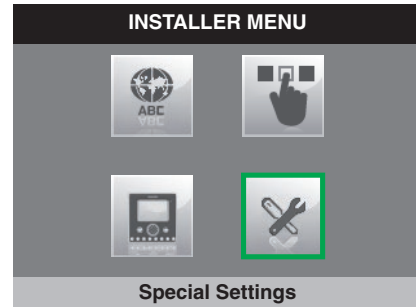
- The **ViP address** functions determines the address of external unit Art. 4662C or remote camera module Art. 1445.
- Select the **Automatic camera** function to link the camera for external unit Art. 4662C.
- Select the **Camera number** function and enter the input number from the 4 available when using a remote camera module Art. 1445.

11. Press ● to exit and save the changes.

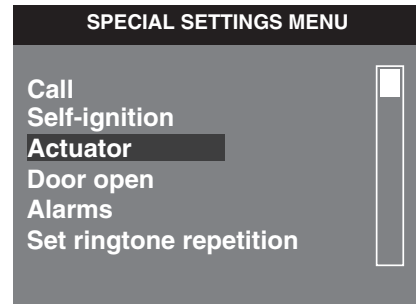
• Configuring the Actuator Directory

1. Access the installer menu.

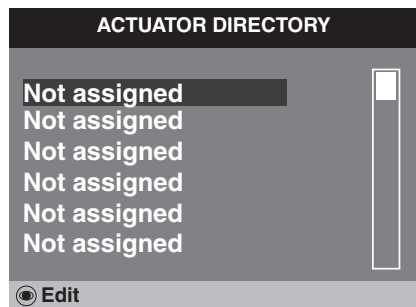
2. Select the **Special Settings** menu by pressing ▲, ▼ and press ✓ to access it.



3. Select the Actuator menu by pressing ▲, ▼ and press ✓ to access it.



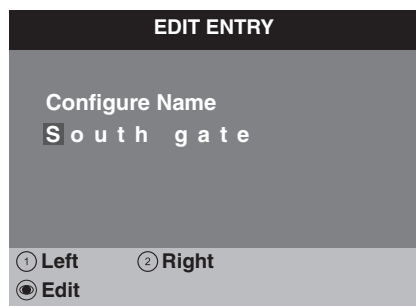
4. Press the ● button.



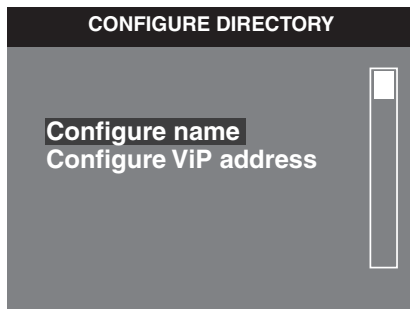
5. Press button ✓ to access the **Configure name** menu.








6. Enter the desired name using buttons ▲, ▼ to change the letters, ①, ② to move right or left and ● to delete.

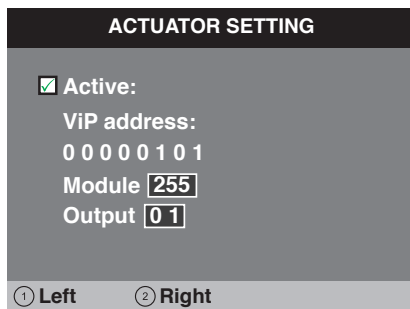


7. Press button  to return to the previous menu.




8. Select the **Configure ViP address** menu by pressing ,  and press  to access it.

9. Select the fields which can be changed using ,  and change the value using ,  or .






- The **ViP address** field identifies actuator module Art. 1443.
- In the **Module** field, select whether to activate the relays on board the module (255) or those on the expansion module Art. SK9071 connected to it (1 to 10).
- In the **Output** field, select the relay you intend to activate: 1 or 2 if you enter 255 in the module field, or 1 to 10 if you enter an expansion module in the module field.

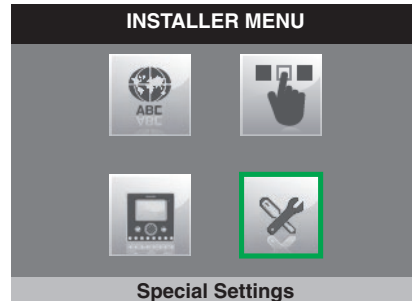
10. Press  to exit and save the changes.




• Setting the Door Open function

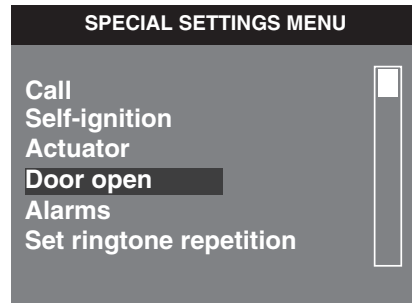
The function can be used to monitor the input of an external unit programmed with the Door Open function. When the input is opened or closed the key LED on the monitor lights up to indicate that the door is open.

1. Access the installer menu.

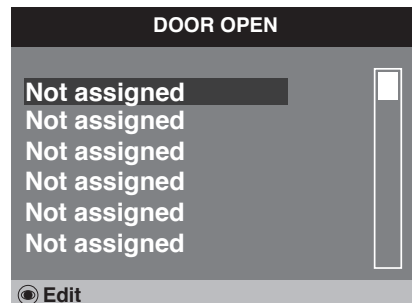
2. Select the **Special Settings** menu by pressing ,  and press  to access it.








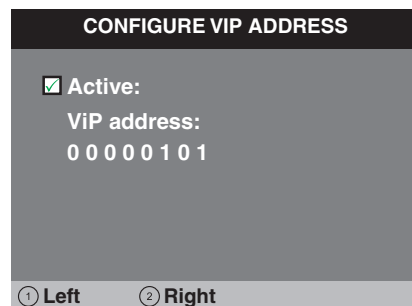
3. Select the Door open menu by pressing ,  and press  to access it.




4. Press the  button.



5. Select the fields which can be changed using ,  and change the value using ,  or .



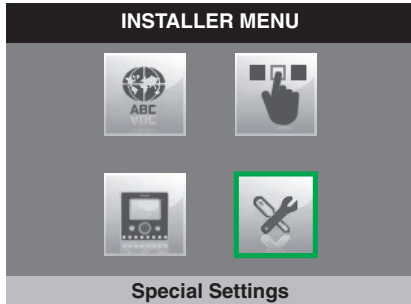
- The **ViP address** field identifies the external unit you wish to monitor.

6. Press  to exit and save the changes.

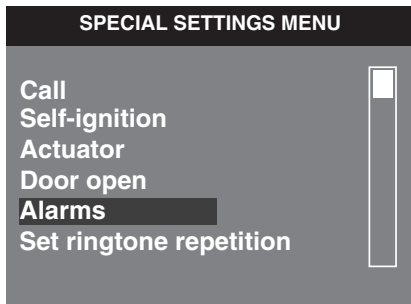
• Setting the Alarm function

This menu can be used to set the VIP address which will be contacted when a priority call is sent. The procedure applies for all 4 call types; the example below illustrates a Panic priority call.

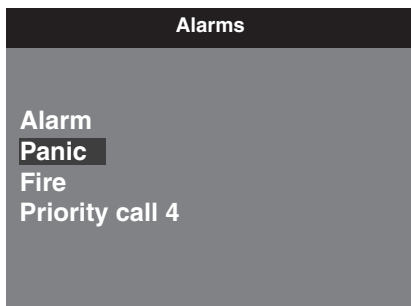
1. Access the installer menu.
2. Select the **Special Settings** menu by pressing \uparrow , \downarrow and press \checkmark to access it.



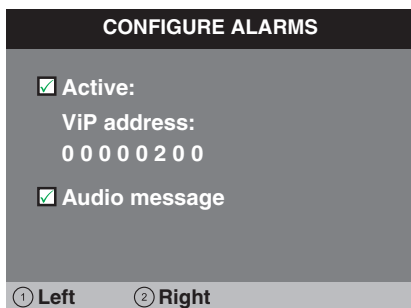
3. Select the Alarms menu by pressing \uparrow , \downarrow and press \checkmark to access it.



4. Select the call type and press \checkmark .



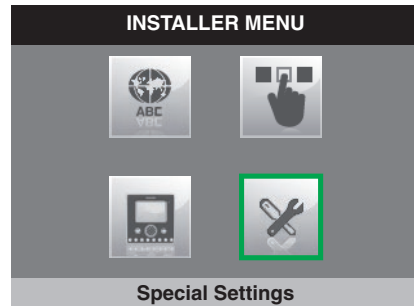
5. Select the fields which can be changed using $\textcircled{1}$, $\textcircled{2}$ and change the value using \uparrow , \downarrow or \checkmark .



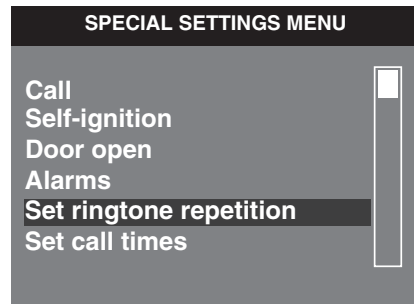
6. Press $\textcircled{\text{E}}$ to exit and save the changes.

• Setting the ringtone repetition

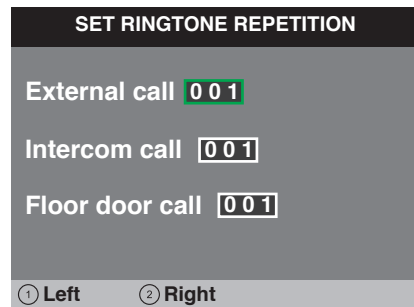
1. Access the installer menu.
2. Select the **Special Settings** menu by pressing \uparrow , \downarrow and press \checkmark to access it.



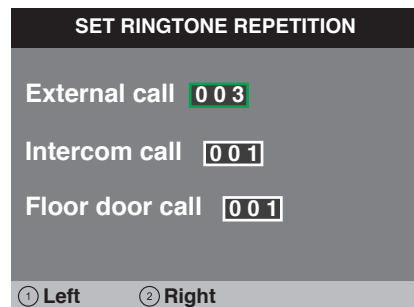
3. Select the **Set ringtone repetition** menu by pressing \uparrow , \downarrow and press \checkmark to access it.



4. Use buttons $\textcircled{1}$, $\textcircled{2}$ to select for which type of call you wish to set the function.



5. Use buttons \uparrow , \downarrow to change the number of repetitions as desired for the type of call selected.

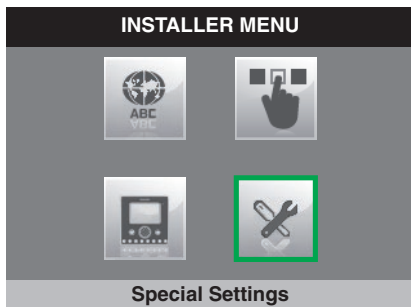


6. Press $\textcircled{\text{E}}$ to exit and save the changes.

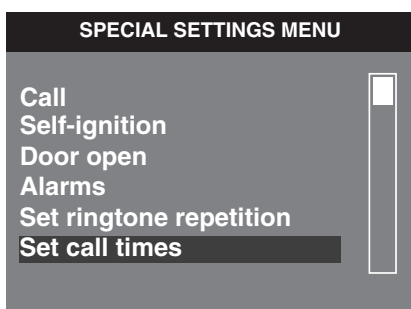
• Setting call times

Within this menu, the time can be set for various functions. The **Reply wait time** setting is shown below, as an example which also applies for the other functions.

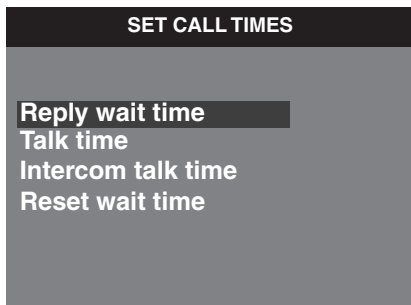
1. Access the installer menu.
2. Select the **Special Settings** menu by pressing \uparrow , \downarrow and press \checkmark to access it.



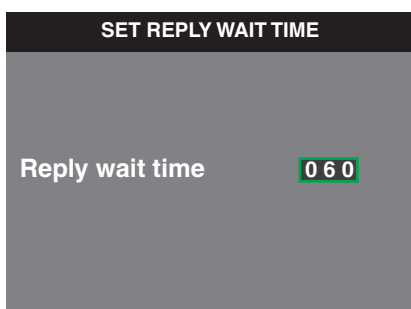
3. Select the **Set call times** menu by pressing \uparrow , \downarrow and press \checkmark to access it.



4. Select the **Reply wait time** menu by pressing \uparrow , \downarrow and press \checkmark to access it.



5. Change the value using buttons \uparrow , \downarrow .



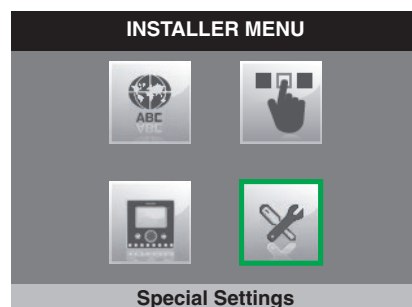
6. Press ⏻ to exit and save the changes.

- **Reply wait time:** *this is the time for which a call from the external or internal unit remains active and waiting for the user to answer.*
- **Talk time:** *this is the time for which the audio remains active, once a call from the external unit has been accepted.*
- **Intercom talk time:** *this is the time for which the audio remains active, once a call from an internal unit or from the switchboard has been accepted.*
- **Reset wait time:** *this is the time for which the audio remains active once a call has ended. The conversation can be resumed if the audio button is pressed again within the set time period.*

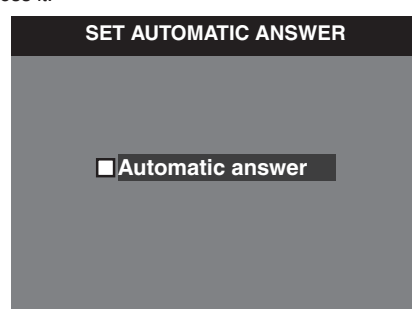
• Setting automatic answer

If the **Automatic answer** function is enabled, the audio will be activated automatically on receipt of a call from the external unit, internal unit or switchboard.

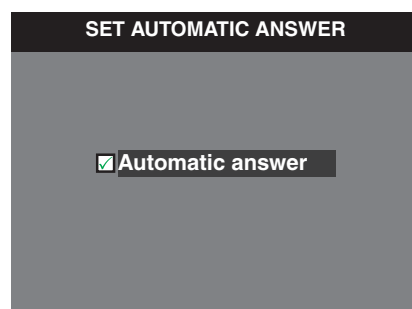
1. Access the installer menu.
2. Select the **Special Settings** menu by pressing \uparrow , \downarrow and press \checkmark to access it.



3. Select the **Set automatic answer** menu by pressing \uparrow , \downarrow and press \checkmark to access it.



4. Press \checkmark to enable it.

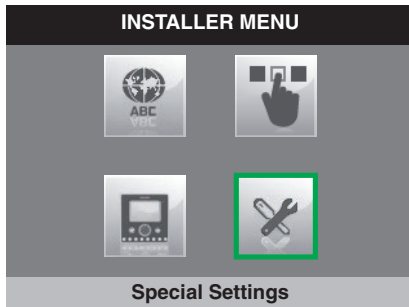


5. Press ⏻ to exit and save the changes.

• Video memory records always

If activated, this function can be used to record images and audio (10 sec.) from the external unit, even if the call is answered.

1. Access the installer menu.
2. Select the **Special Settings** menu by pressing ▲, ▼ and press ✓ to access it.



3. Select the **Video memory records always** menu by pressing ▲, ▼ and press ✓ to access it.



4. Press ✓ to enable it.

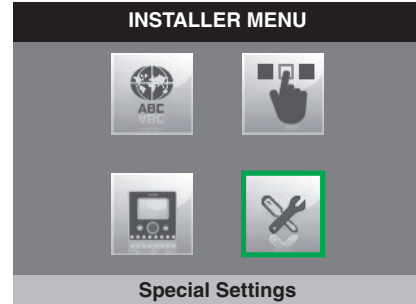


5. Press ⏪ to exit and save the changes.

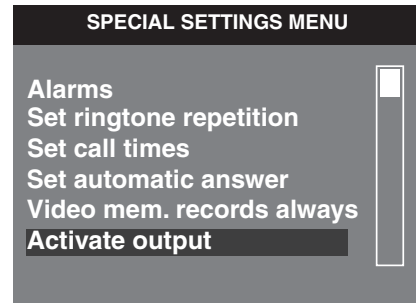
• Activate output

Planux monitors are equipped with an NC/NO output which can be programmed as monostable or bistable. This output can be controlled by one of the buttons on board the monitor, or by one of the inputs if suitably configured with the [Activate output function](#).

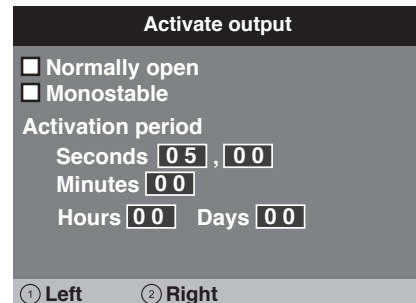
1. Access the installer menu.
2. Select the **Special Settings** menu by pressing ▲, ▼ and press ✓ to access it.



3. Select the **Activate output** menu by pressing ▲, ▼ and press ✓ to access it.



4. Select the fields which can be changed using ①, ② and change the value using ▲, ▼ or ✓.

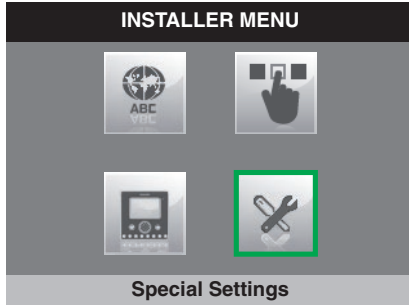


- The output is set as Normally open by default; tick the box next to Normally open to change this setting to **Normally closed**.
- The output is set as Monostable by default; tick the box next to Monostable to change this setting to **Bistable**.
- Fill in the **Activation period** fields for Monostabile mode.

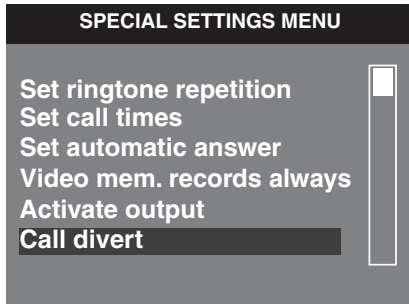
5. Press ⏪ to exit and save the changes.

• Call divert

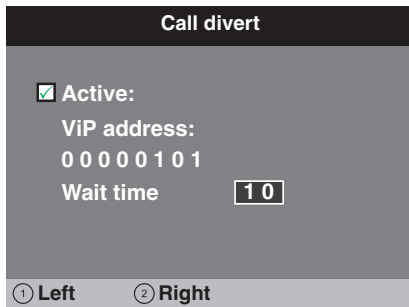
1. Access the installer menu.
2. Select the **Special Settings** menu by pressing \uparrow , \downarrow and press \checkmark to access it.



3. Select the **Call divert** menu by pressing \uparrow , \downarrow and press \checkmark to access it.



4. Select the fields which can be changed using \odot , \ominus and change the value using \uparrow , \downarrow or \checkmark .



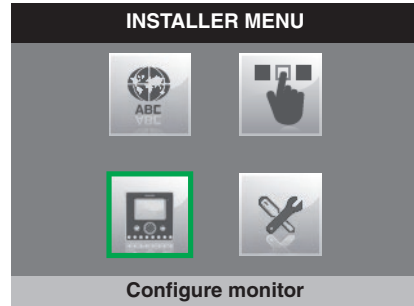
- The **ViP address** field identifies the internal unit or CPS to which you want to divert the call.
- The **Wait time** field identifies the wait time before the call is diverted.

5. Press Ⓜ to exit and save the changes.

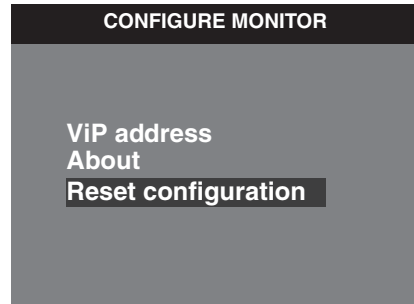
• Reset configuration

This function can be used to restore the factory set values of the monitor, deleting all configurations applied in the meantime.

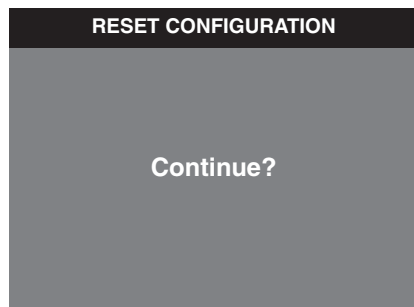
1. Access the installer menu.
2. Select the **Configure monitor** menu using buttons \uparrow , \downarrow .



3. Press \checkmark to access it.




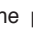
4. Select the **Reset configuration** menu using buttons \uparrow , \downarrow .
5. Press \checkmark to access it.

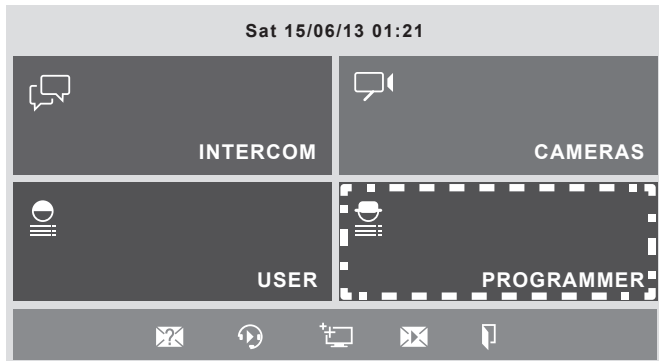


6. Press \checkmark to confirm.
7. Press Ⓜ to cancel.

7Stelle monitor Art. 6501

• Accessing the installer menu

1. Press PROGRAMMER  to access the INSTALLER MENU.
2. Enter the password.
3. Press  to confirm the password and access the INSTALLER MENU.



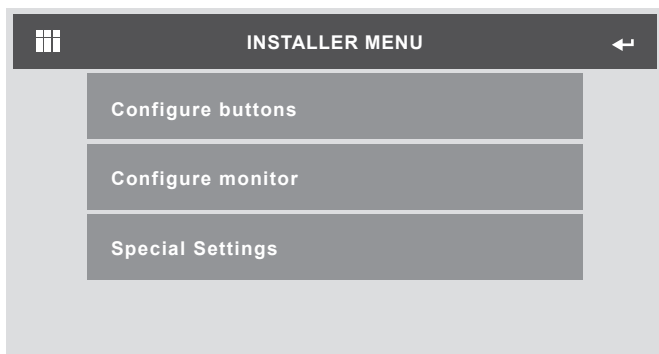
The password for the installer menu is 0000. To change the password, please refer to the technical manual for VIP Manager Art. 1449.


• Configuring buttons

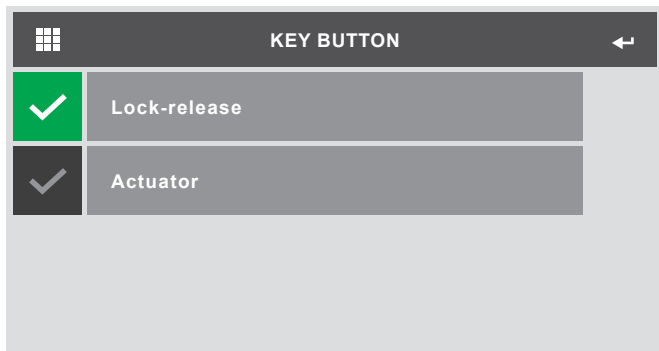
The buttons on the Sette Stelle internal unit Art. 6501 can be programmed with various functions.

The procedure to be used for all buttons is detailed below.

1. Access the **Installer** menu.
2. Access the **Configure buttons** menu.



3. Select the button you wish to configure.
4. Press  next to the function you want to assign to the button.

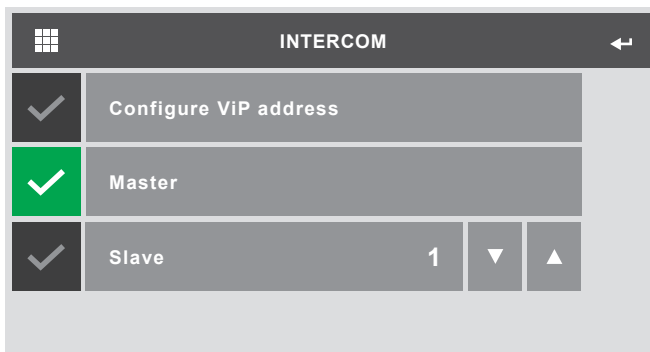


• Configuring functions

Press the name of the function to access the corresponding configuration menu.

◊ Intercom function

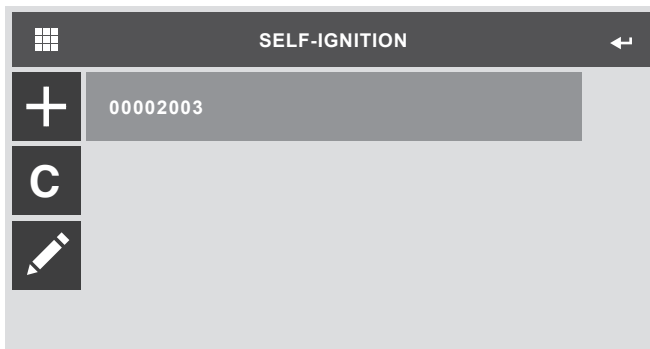
This function can be used to send an intercom call to a specific device.



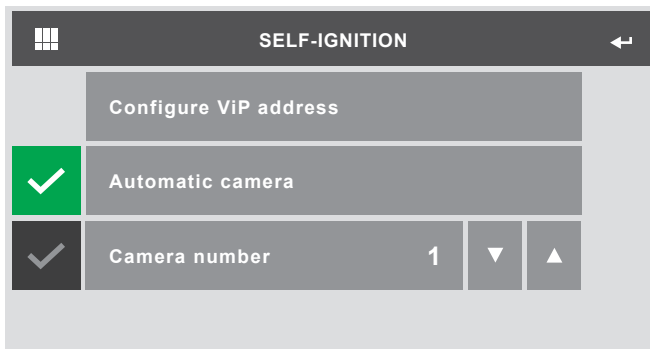
1. Access the **Configure VIP address** menu to set the address of the device you want to associate with the intercom function.
2. Select whether to call the Master or Slave backplate for the set address. If you select Slave, you will also need to set the exact number of the slave as desired.

◊ Self-ignition function

This function can be used to view the images transmitted by the camera for one or more devices connected to the system.



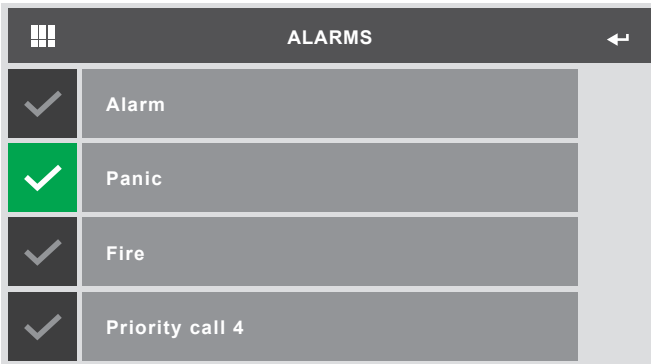
1. Press the + icon to add a device to be assigned to the function



2. Access the **Configure VIP address** menu to set the address of the device you want to associate with the self-ignition function.
3. Select which device camera you wish to use, from **Automatic** (in the case of external units or camera number one of modules Art. 1445) or **Camera number** (if you want to use the camera of a device Art. 1445).
4. To remove a device from the list, press icon **C** followed by the device.
5. To edit the settings of a device on the list, press the pencil icon followed by the device.

◇ Alarm function

This function can be used to link an alarm call to the button.



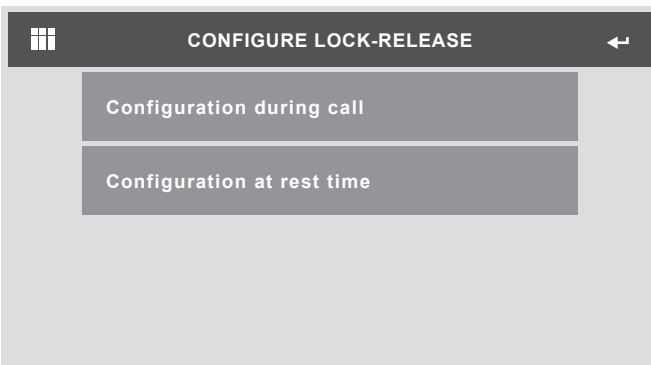
1. Press ✓ next to the call you want to assign to the button.

For priority call configuration, see page 62.

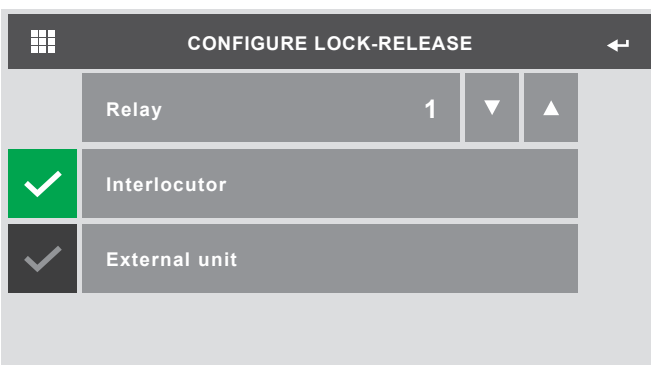
◇ Lock-release function

This function has two statuses:

- ◇ **Lock-release during call:** *it will perform one or two actions when a call with the external unit is in progress*
- ◇ **Lock-release at rest time:** *it will perform one or two actions when there are no calls in progress*



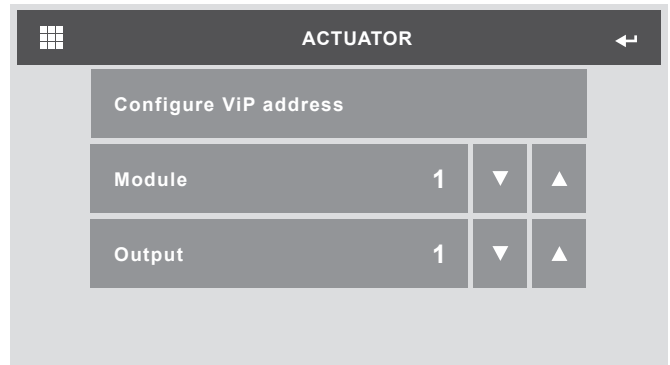
1. Select which status you wish to configure.
2. Select which action you wish to configure.



3. Select which relay you wish to activate.
4. Select whether to interact with the relay of the external unit making the call or a different one. If you select **External unit** you will need to configure its VIP address.

◇ Actuator function

This function is used to activate the relay output of an IO actuator module or that of an expansion device connected to it.



1. Access the **Configure VIP address** menu to set the address of the IO device you want to associate with the actuator function.
2. Select whether to associate one of the expansion modules (1 to 10) or to directly associate one of the two IO module relay outputs (255).
3. Select which output to use (1 to 10 for expansion modules and 1 or 2 for IO module).

◇ Activate output function

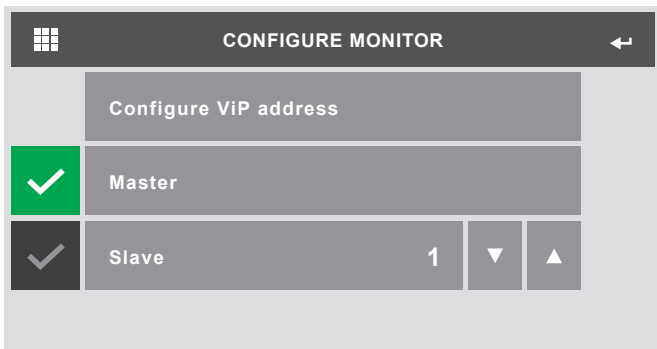
This function can be used to activate the internal unit NC/NO output by pressing the button.

For output configuration, see page 62.

• Configuring the monitor

◊ VIP address

This menu can be used to configure the VIP address of the internal unit.



1. Access the **Configure VIP address** menu to set the address of the device.
2. Select whether to set the device as Master or Slave. If you select Slave, you will also need to set the exact number.

Master

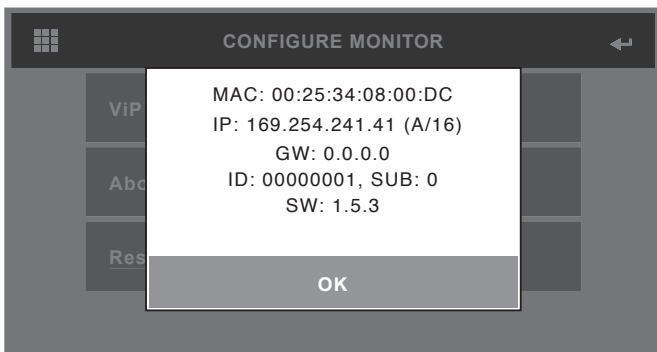
By Master we mean the main internal unit in an apartment. Every Master internal unit in the system must have a different VIP code. The Master internal unit manages all external unit / switchboard / intercom calls. It is essential that, in an apartment, one of the internal units is set as a Master.

Slave

By Slave we mean one or more secondary internal units (MAX. 15) in an apartment. Each Slave has the same VIP address as the Master internal unit.

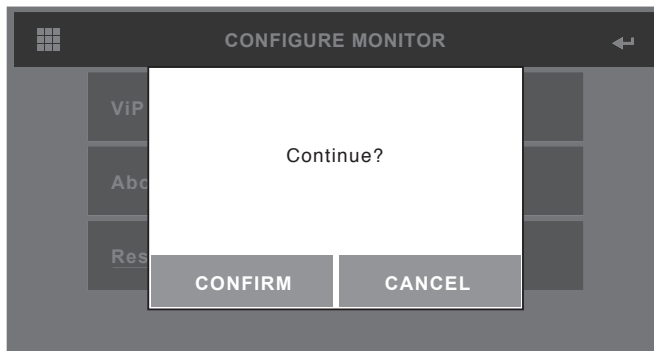
◊ About

This menu can be used to view system data.



◊ Reset configuration

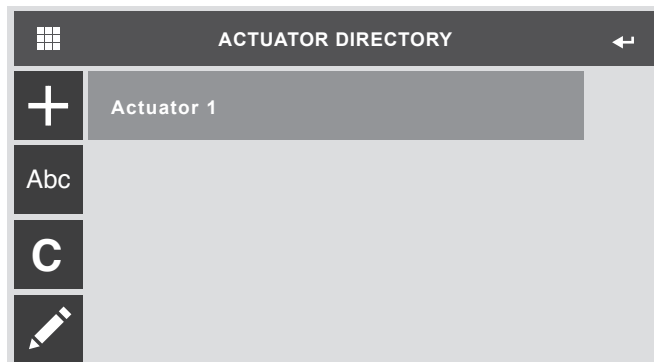
This function can be used to restore the factory set values of the monitor, deleting all configurations applied in the meantime.



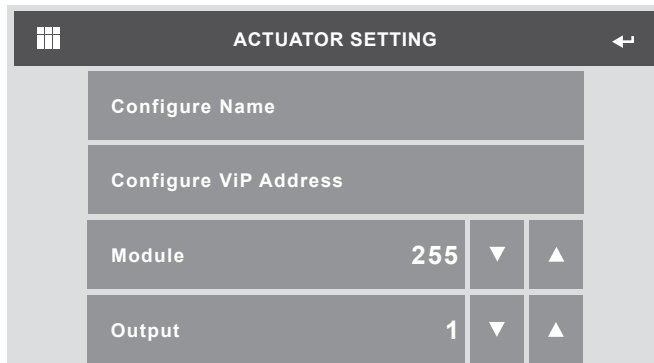
• Special Settings

◊ Actuator Directory

This menu can be used to manage the directory of actuators connected to the system.



1. Access the **Actuator setting** menu by pressing the + icon to add a new device to the directory.



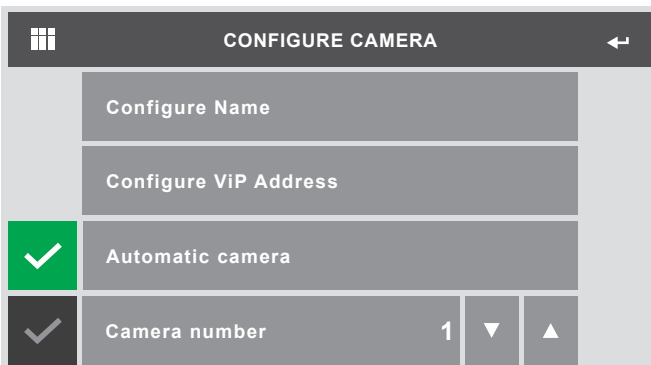
2. Access the **Configure Name** menu to associate the actuator with the name which will appear in the directory.
3. Access the **Configure VIP address** menu to enter the address of the actuator module Art. 1443.
4. In the module field, select whether to control the relay on board the module itself (255) or one on board an expansion module connected to it (1 to 10).
5. In the output field, select the exact relay you wish to control. 1 or 2 for relays on board the module art.1443, or 1 to 10 for relays of an expansion module connected to it.

◇ Camera Directory

This menu can be used to manage the directory of cameras connected to the system.



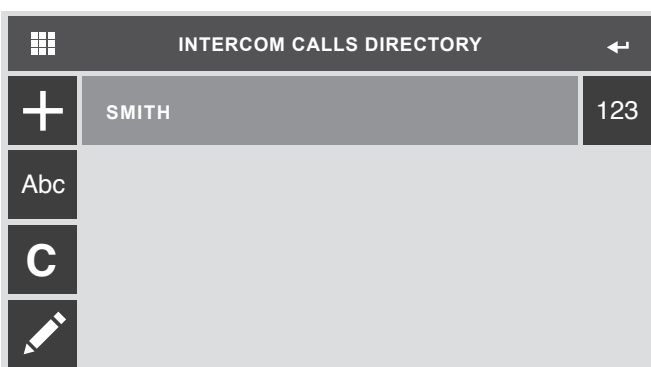
1. Access the **Configure camera** menu by pressing the + icon to add a new device to the directory.



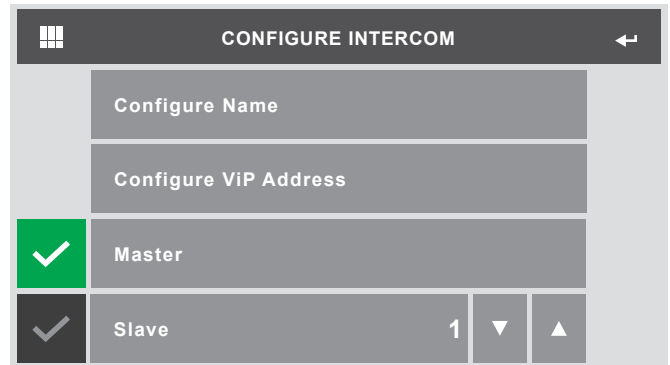
2. Access the **Configure Name** menu to associate the camera with the name which will appear in the directory.
3. Access the **Configure ViP address** menu to enter the address of the cameras module Art. 1445 or the video external unit.
4. Select whether to use the automatic camera (in the case of an external unit) or indicate the number of the device connected to a cameras module Art. 1445.

◇ Intercom Directory

This menu can be used to manage the intercom call directory.



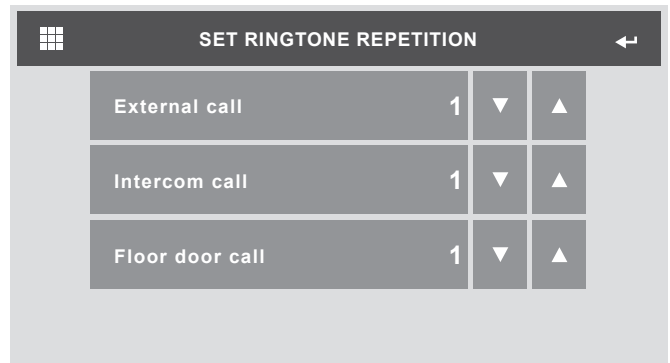
1. Access the **Configure intercom** menu by pressing the + icon to add a new entry to the directory.



2. Access the **Configure Name** menu to set the name which will appear in the directory.
3. Access the **Configure ViP address** menu to enter the address of the device you want to associate with the call.
4. Select whether to call the Master or Slave device. If you select Slave, you will also need to set the exact number of the device to call.

◇ Set ringtone repetition

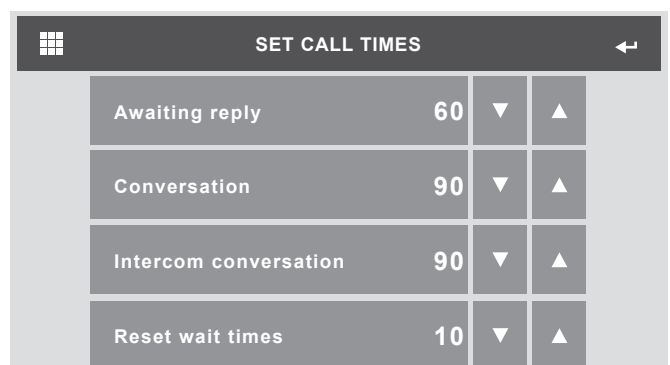
This menu can be used to set the number of times the ringtone is repeated on receipt of a call.



1. Select the number of times the ringtone is repeated for each type of call.

◇ Set call times

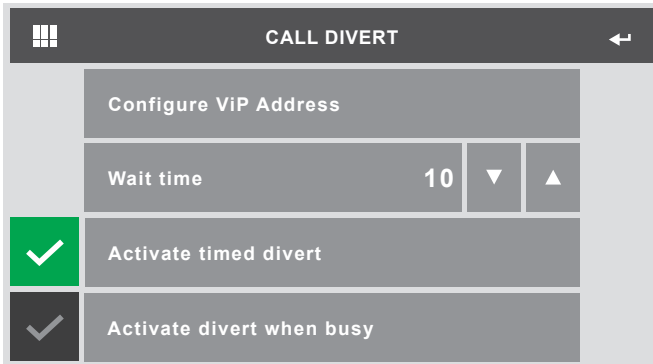
This menu can be used to change the various call time values.



1. Set the duration in seconds for each value.
 - ◇ **Awaiting reply:** wait time in which, if there is no answer, the call is ended.
 - ◇ **Conversation:** maximum duration of a conversation with an external unit.
 - ◇ **Intercom conversation:** maximum duration of a conversation with an internal unit.
 - ◇ **Reset wait time:** maximum time in which it is possible to pick up the audio line if it is cut off.

◇ **Call divert**

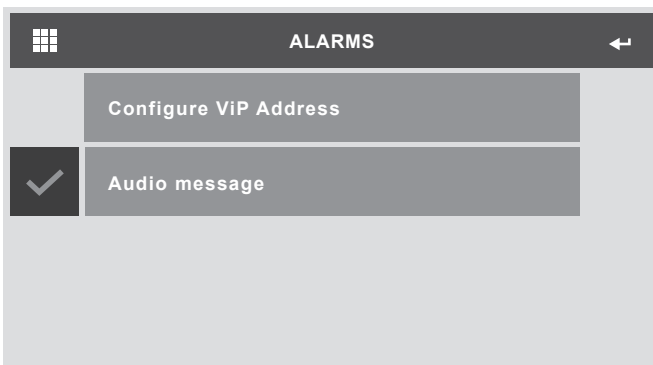
This menu can be used to set the call divert function.



1. Access the **Configure VIP address** menu to enter the address of the device to which the call will be diverted.
2. Set the wait time before the call is diverted.
3. Select whether to divert the call after a set period of time, if the line is busy or in both cases.

◇ **Alarms**

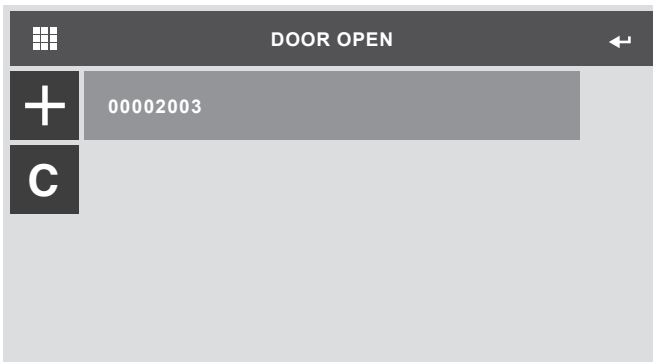
This menu can be used to set the VIP address of the device which will be called when a priority call is made. The configuration for Alarm calls is illustrated below, as an example. The same procedure also applies to the other 3 priority call types.



1. Access the **Configure VIP address** menu to set the address of the device which will be called when an alarm call is made.
2. Select whether to activate the audio message when the call is sent.

◇ **Door open**

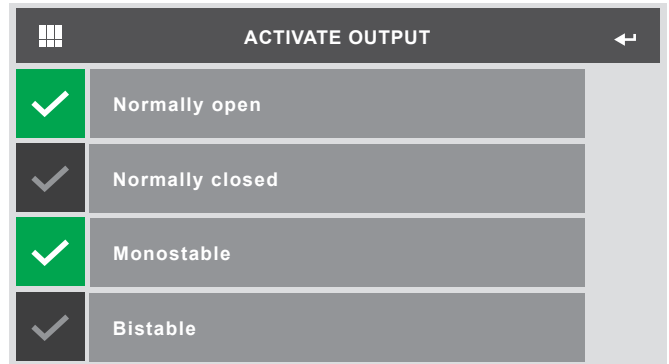
This menu can be used to set the address of the external units to be monitored.



1. Access the **Address** menu by pressing the + icon to add the address of the door to be monitored.

◇ **Activate output**

This menu can be used to set the operating mode of the relay on board the monitor.



1. Select whether the output is normally closed or normally open.
2. Select whether the output should be activated in Monostable or Bistable mode. If you select Monostable mode, you will also need to set its switching duration time.

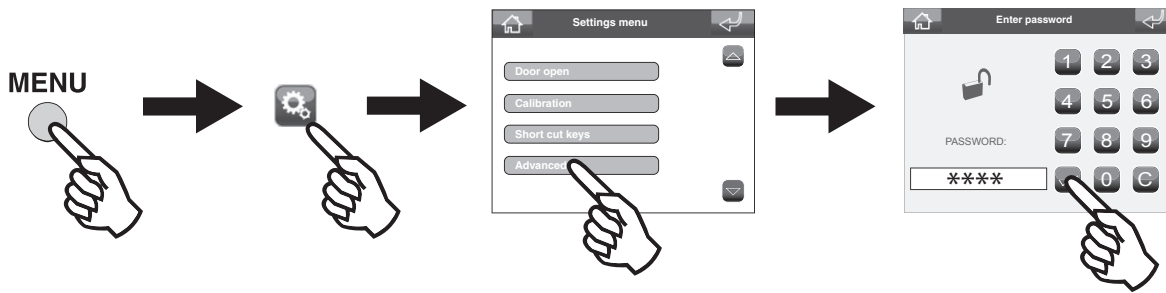
◇ **Automatic answer**

If you activate this option, the monitor will automatically pick up the audio line on receipt of a call.

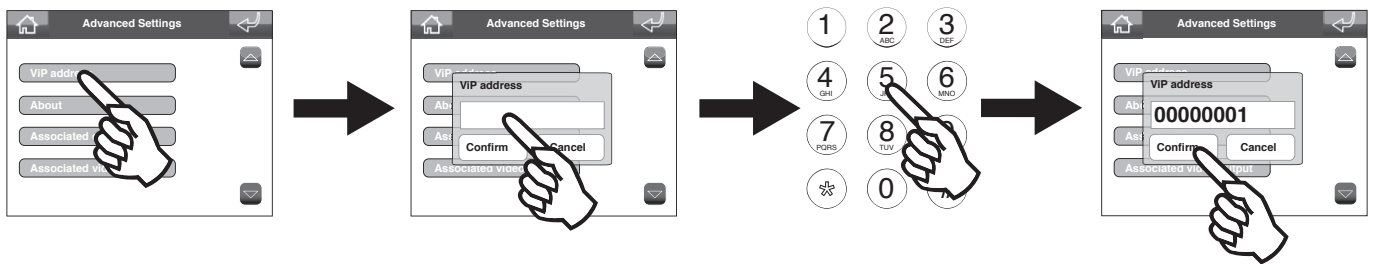
◇ **Video memory records always**

If you activate this option, the monitor will record the video conversation with the external unit, even if the call is answered.

• Accessing the installer menu

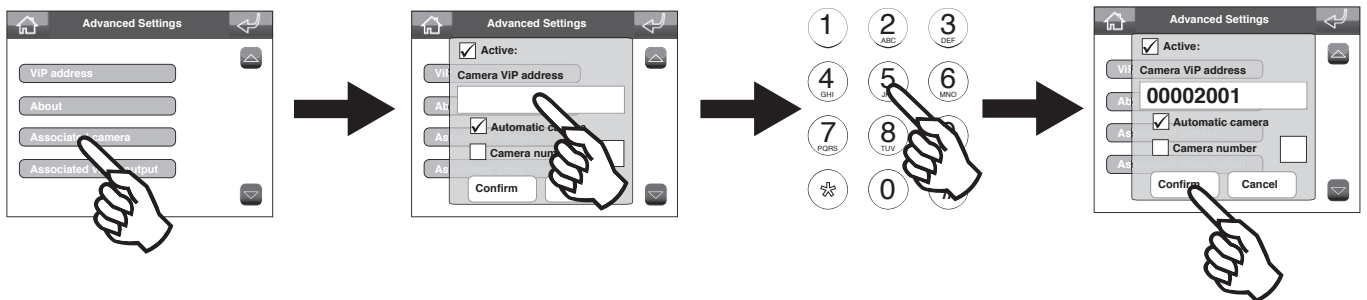


• Setting the VIP Address



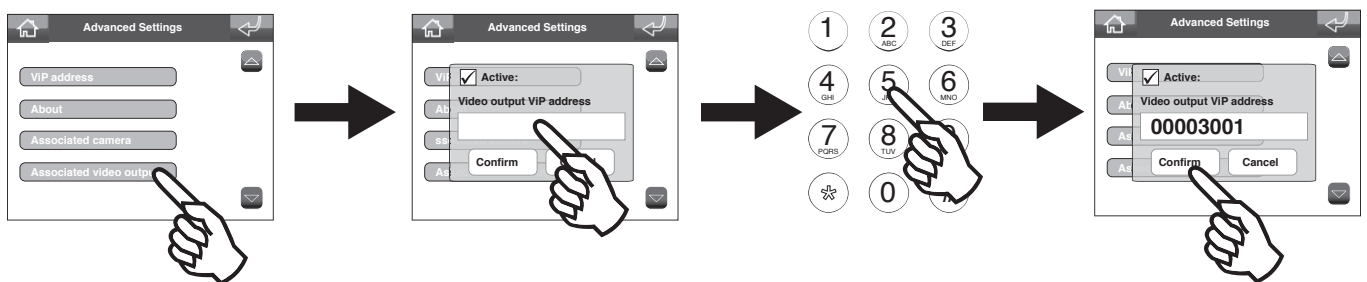
• Setting the associated camera

This function can be used to associate a camera with the switchboard, via module Art. 1445. The images from this camera will be displayed on the internal unit monitor during the conversation.



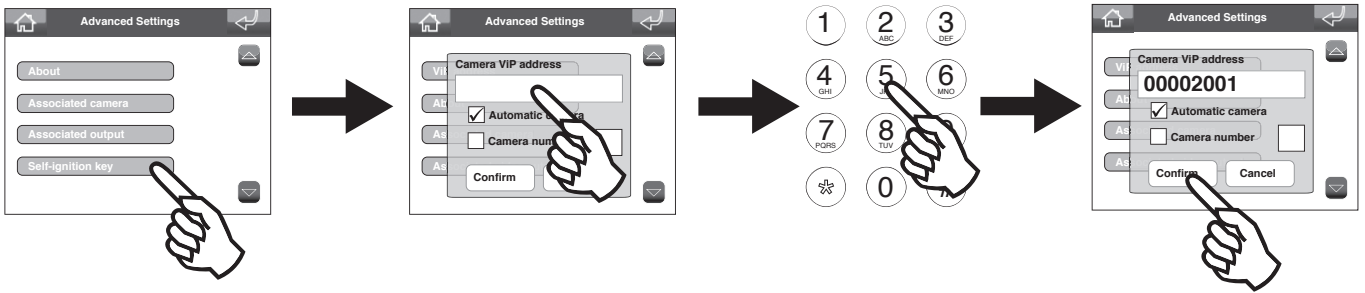
• Setting the associated video output

This function should be used in conjunction with the previous function (Associated camera). If the VIP address of an IP/PAL module Art. 1446 on the connected monitor is set to the same as the latter, the images from the associated camera will be displayed when the switchboard enters conversation mode.



• Programming the self-ignition key

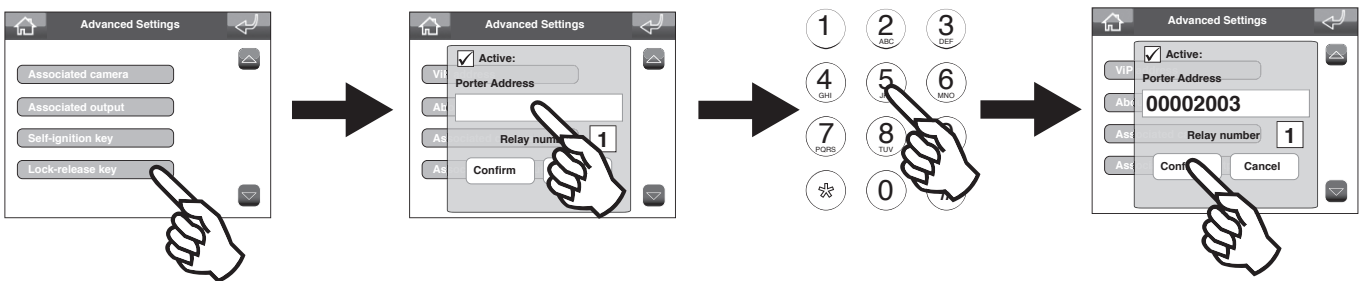
This function can be used to view the images transmitted by the camera for one or more devices connected to the system.



- The **VIP address** function determines the address of the external unit or remote camera module Art. 1445.
- Select the **Automatic camera** function to associate the camera for the external unit.
- Select the **Camera number** function and enter the input number from the 4 available when using a remote camera module Art. 1445.

• Programming the lock-release key

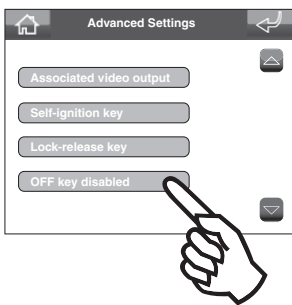
This function can be used to activate a relay for the associated external unit.



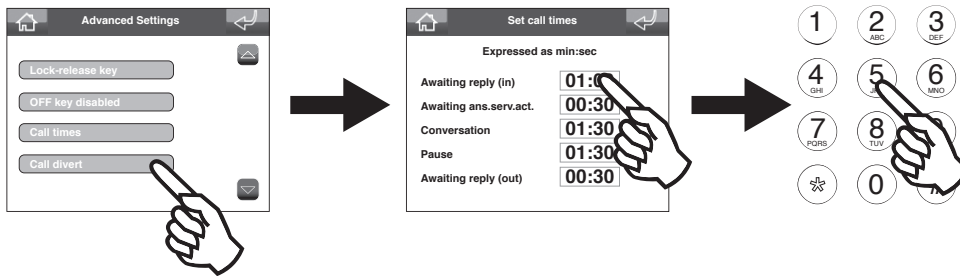
- In the **Porter Address** field, enter the VIP address of the external unit you want to associate with the function.
- In the **Relay number** field, enter which of the two external unit relays you want to activate.

Activating / deactivating the OFF key

If activated, the OFF key can be used to switch the switchboard on and off.



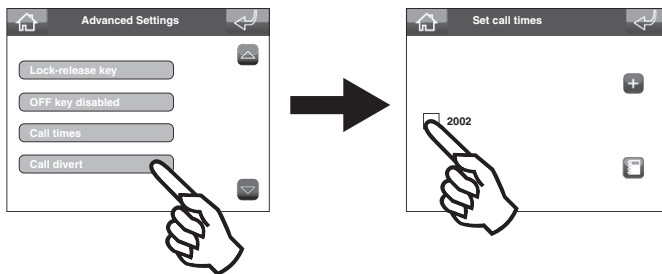
Setting the call times



- ◇ **Awaiting reply (in):** wait time in which a call is ended if it is not answered.
- ◇ **Awaiting ans.serv.act.:** maximum time after which the answering service is activated if a call is not answered.
- ◇ **Conversation:** maximum conversation duration.
- ◇ **Pause:** maximum time a call can be put on hold.
- ◇ **Awaiting reply (out):** wait time in which, if there is no answer, the call is ended.

Setting call divert

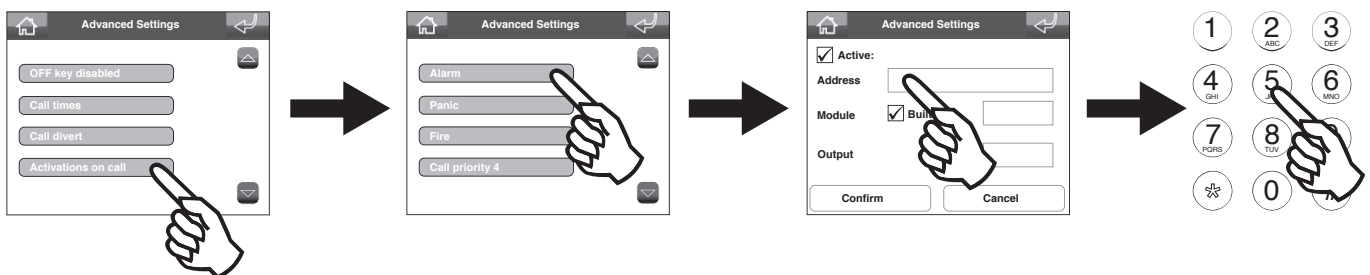
This function can be used to divert incoming calls to another switchboard on the list.



Setting activations on call

When this function is active, on receipt of a specific type of call the switchboard will activate the output of an actuator module Art. 1443, or of an extension unit connected to it.

The following example illustrates the function configuration procedure for an **Alarm** call; the same also applies for the other types available in the menu.



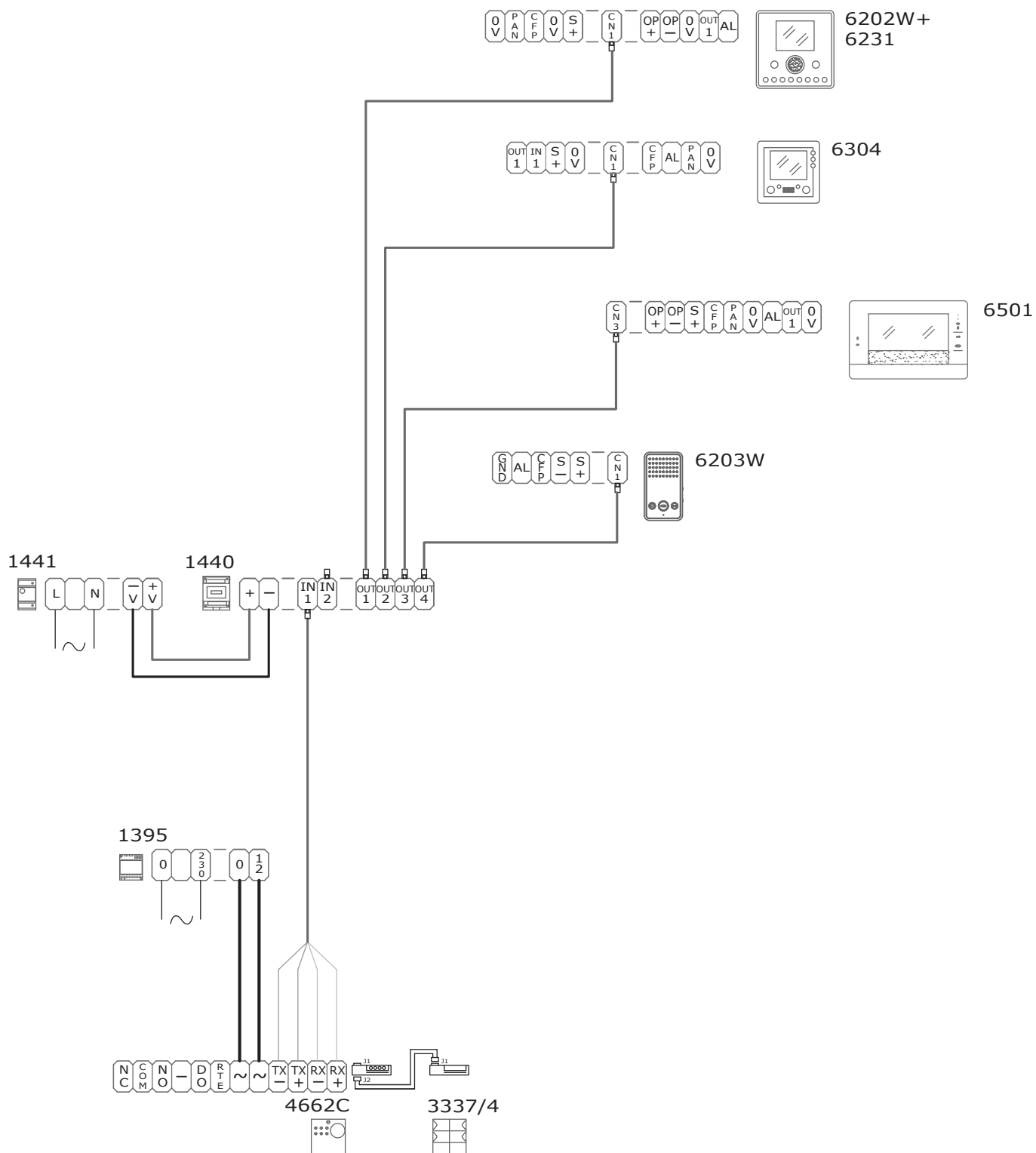
In the **address** field, enter the VIP address of actuator Art. 1443.

In the **module** field, select whether to activate an output on board the actuator Art. 1443 (Built), or specify the number of the expansion device with which you want to interact. In the **output** field, enter the exact number of the output you want to activate (1 or 2 for module art.1443, or 1 to 10 for an expansion device).

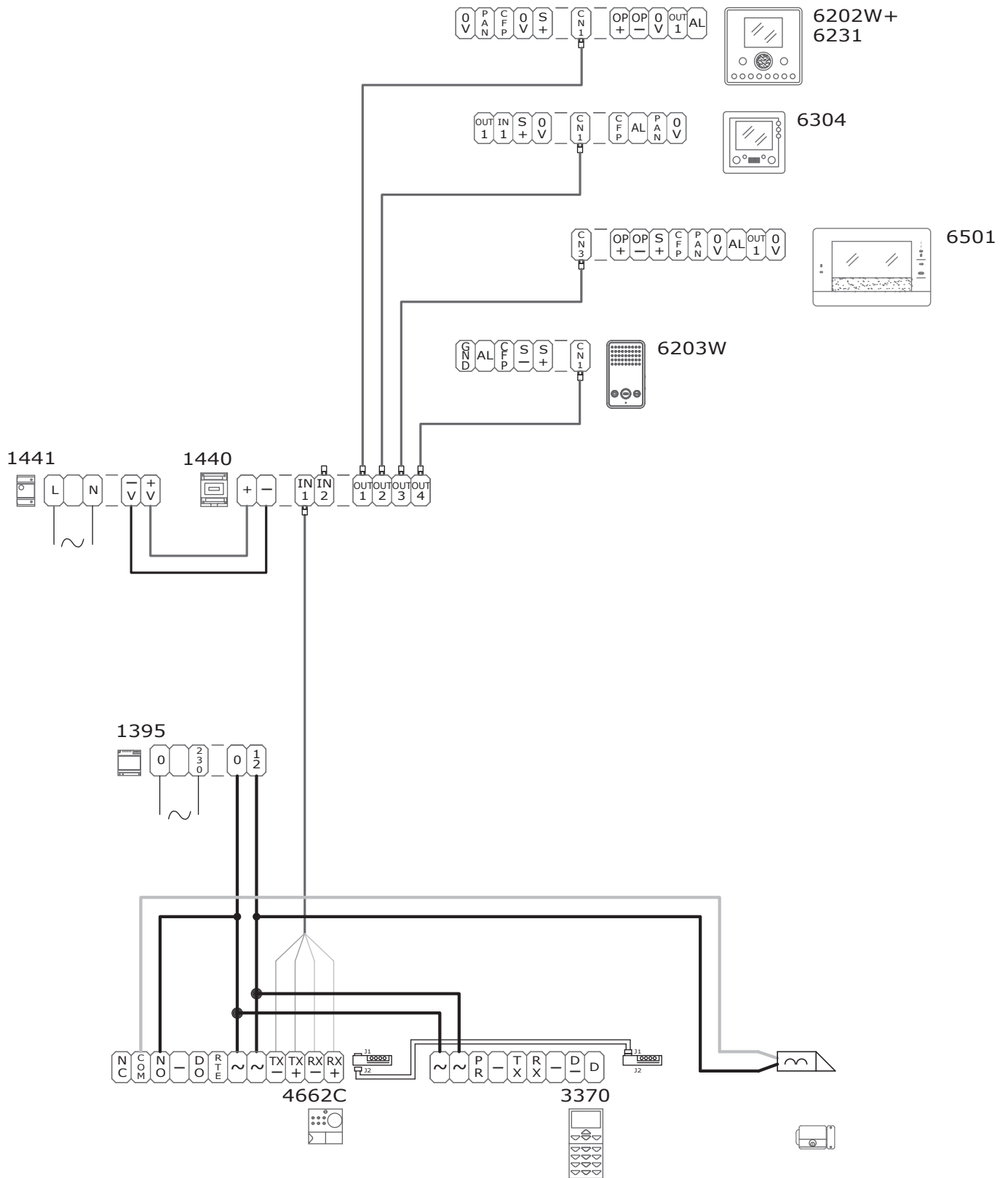
Chapter 6: Wiring diagrams

VIP/001

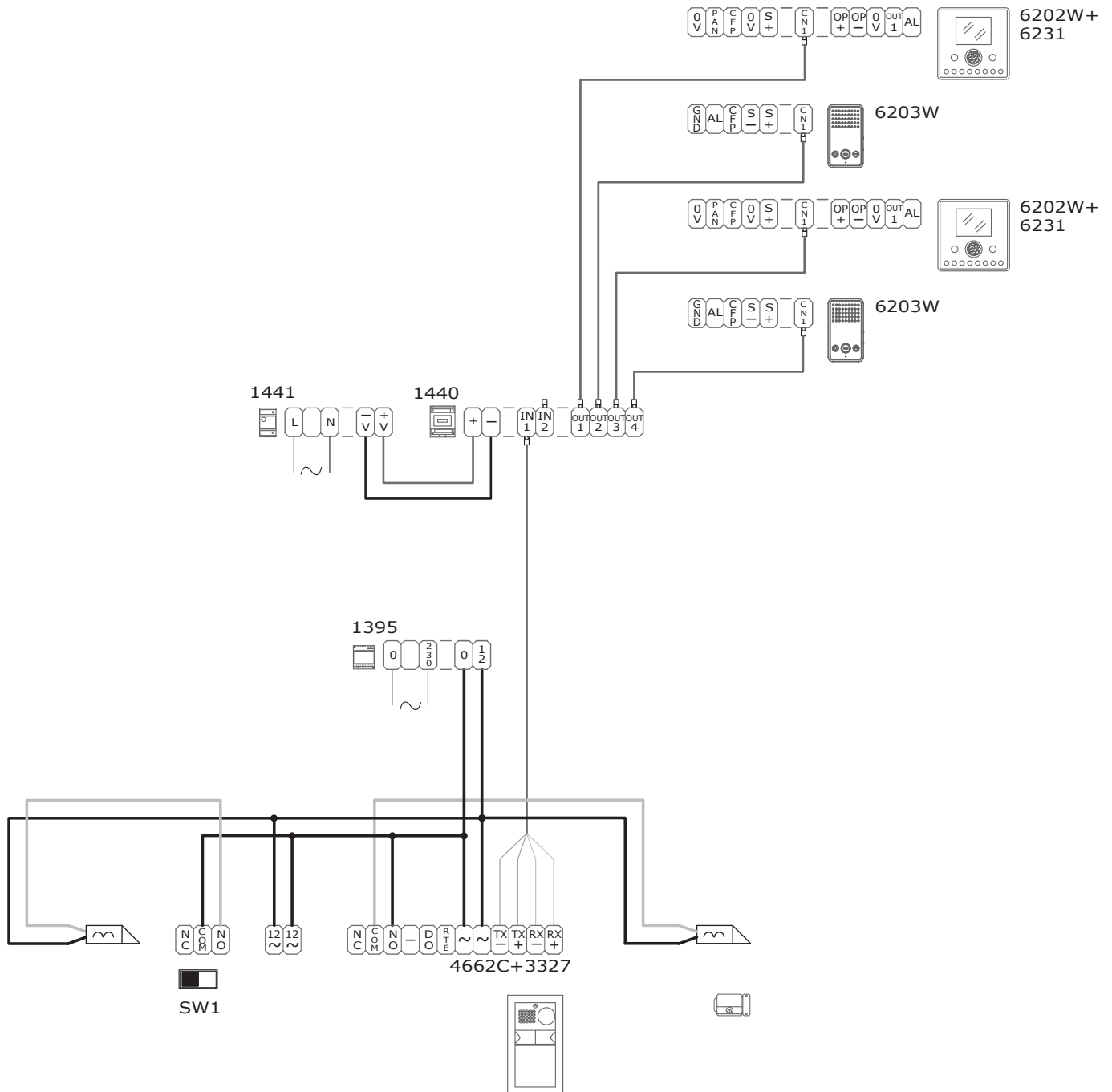
Connecting Powercom call button module Art. 3337/3-4-6



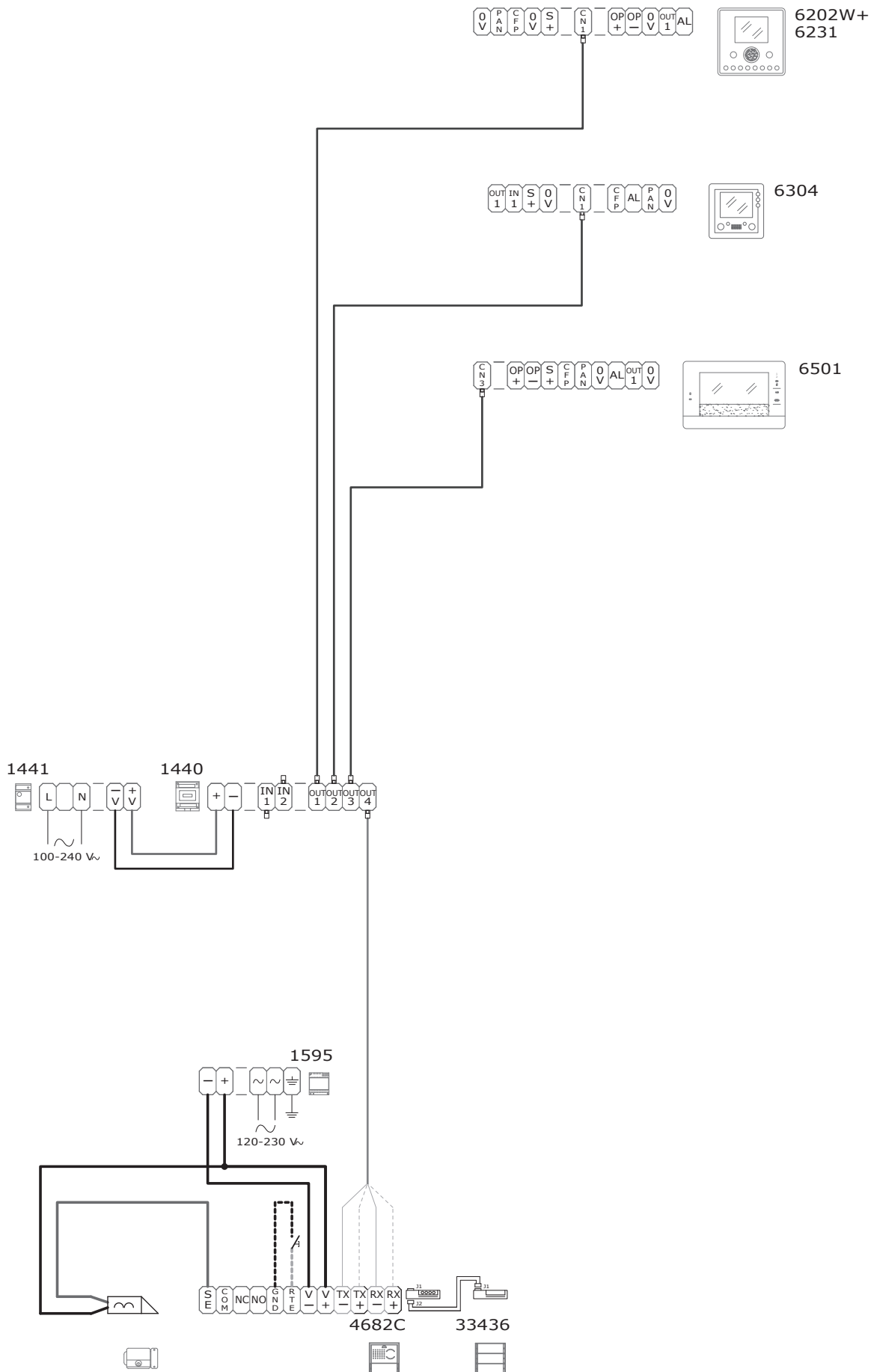
Connecting Powercom series digital call module Art. 3370



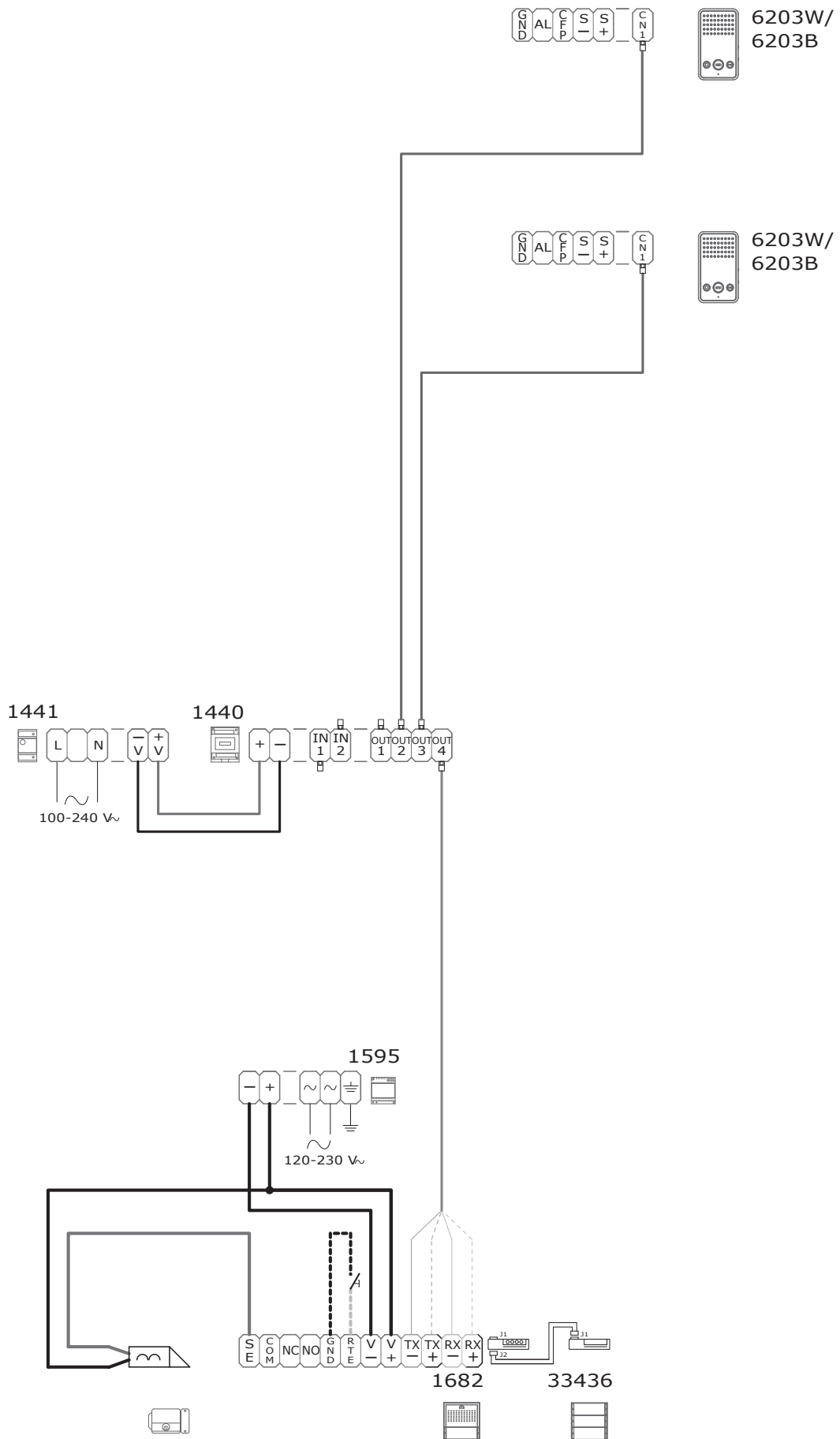
Connecting backlit module with actuator relay Art. 3327



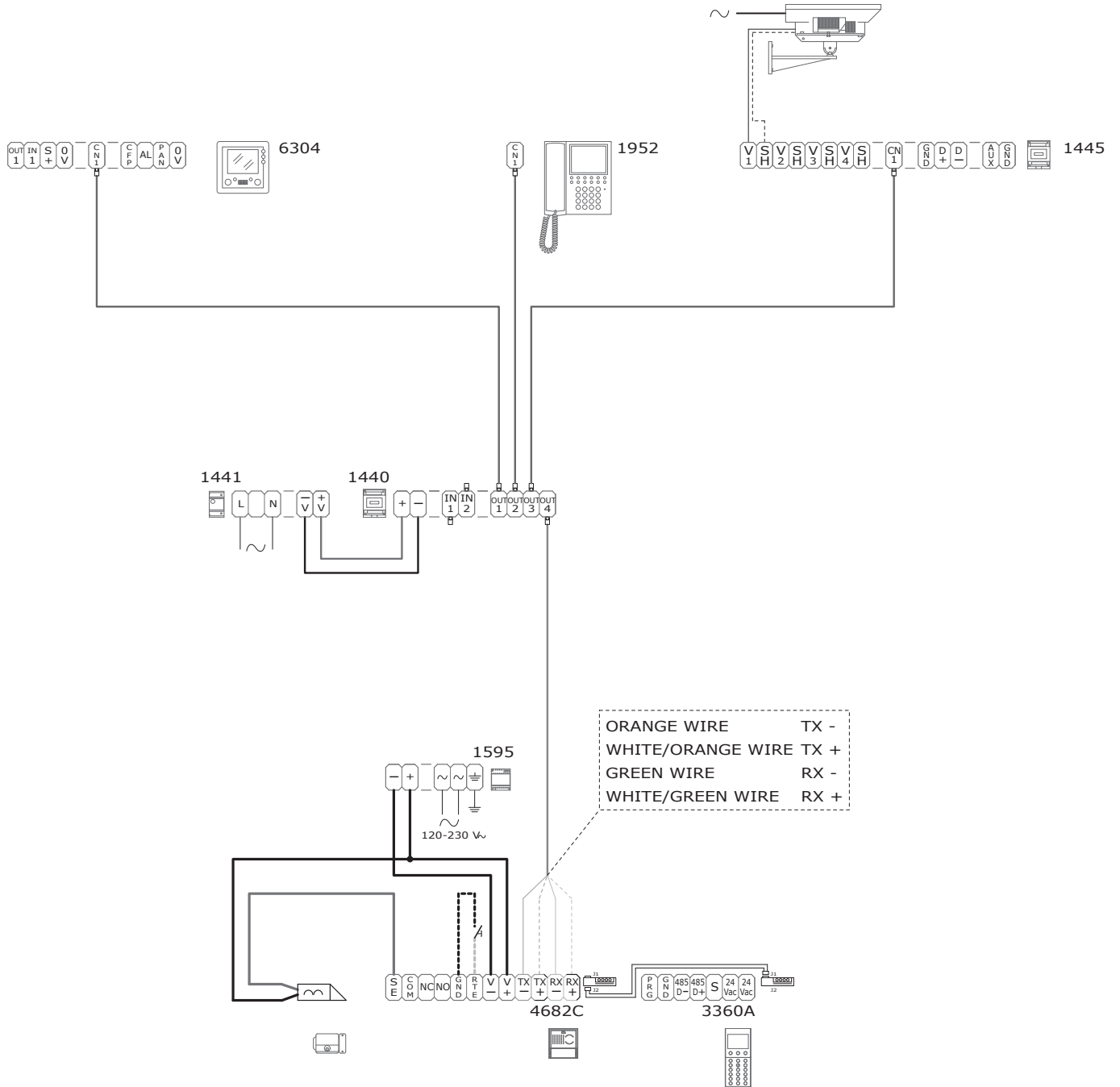
Connecting IKall call button module Art. 3343/3-4-6



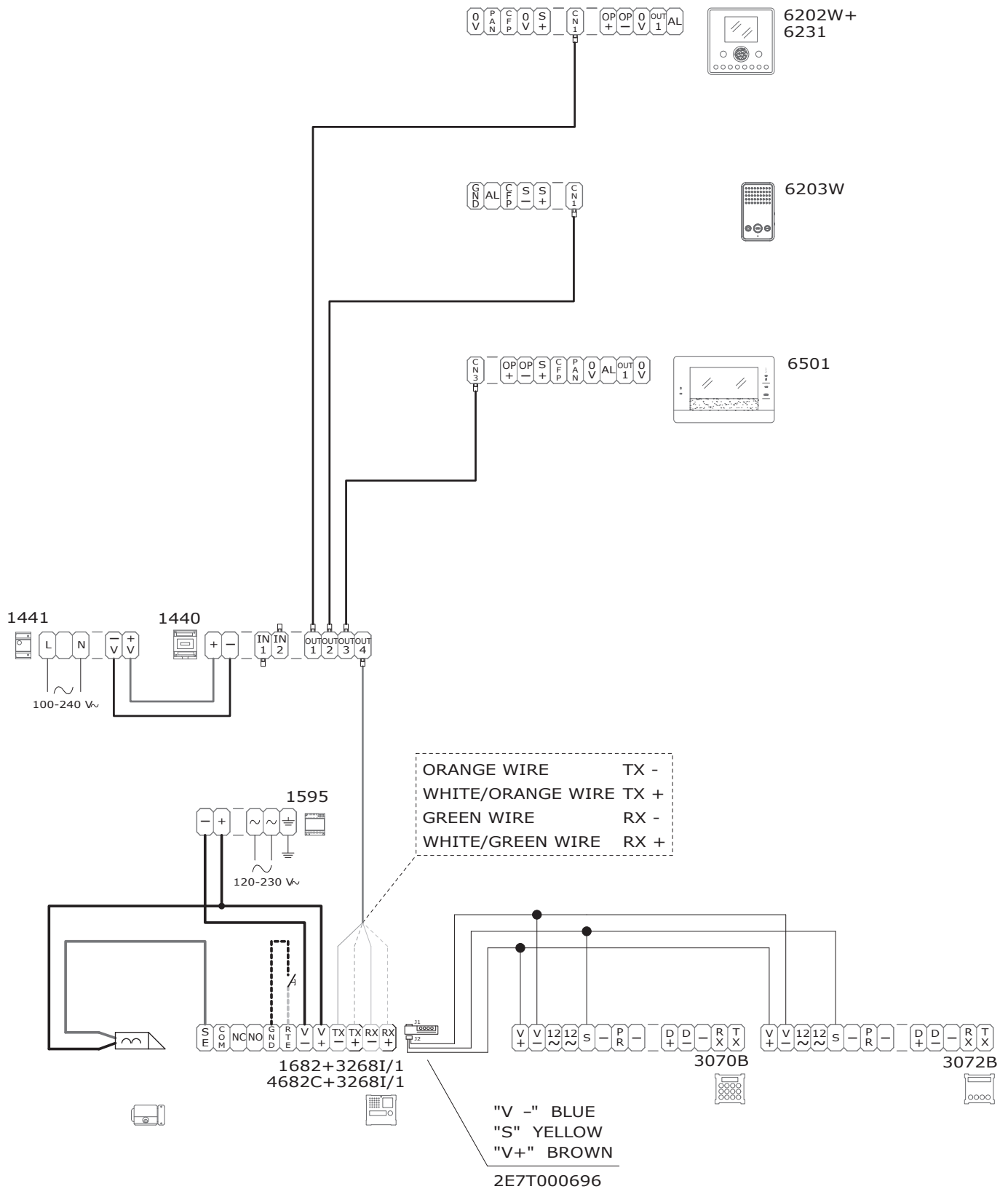
Connecting IKall series audio unit for VIP system Art. 1682



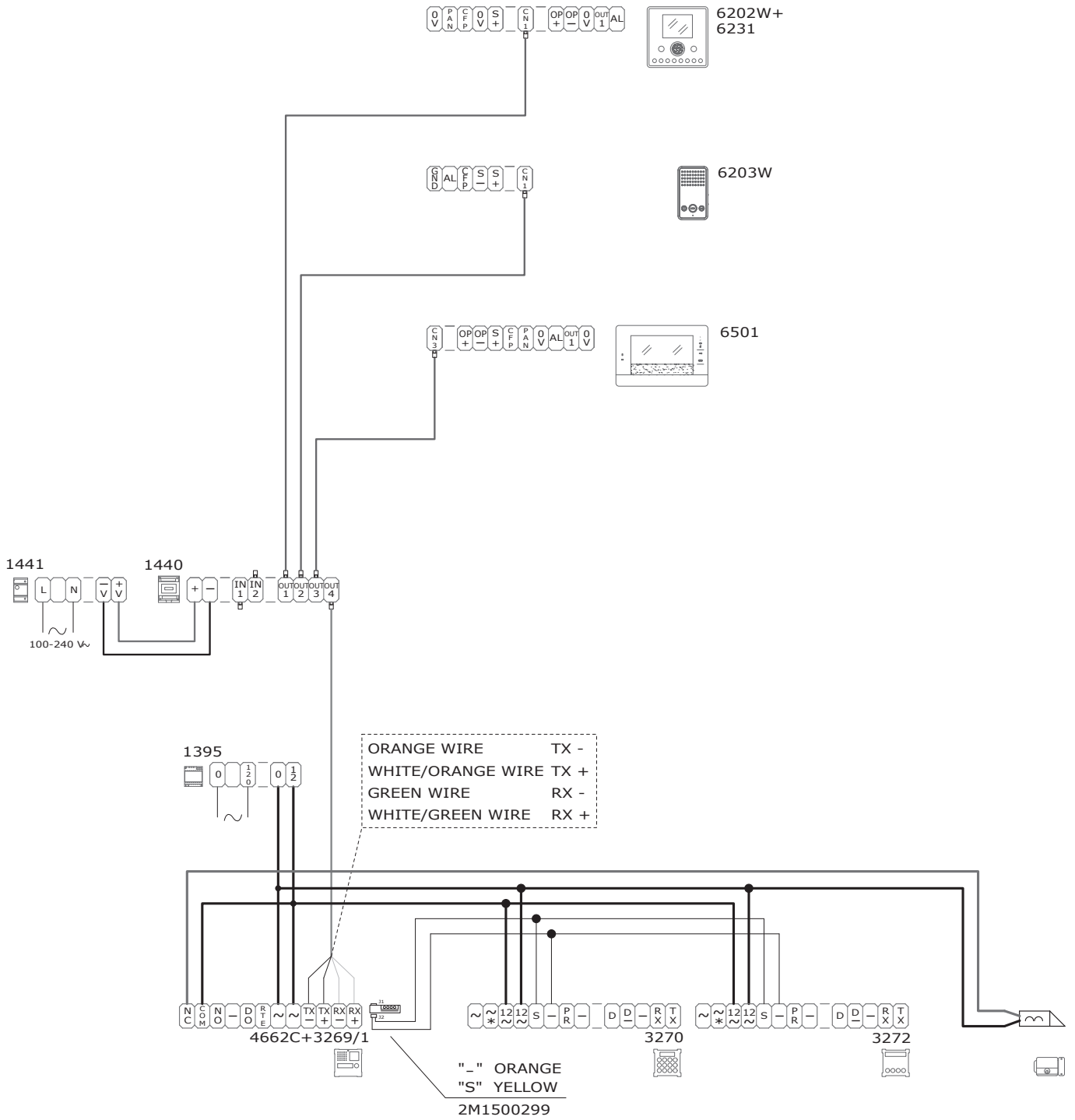
Connecting IKall series digital call module Art. 3360A



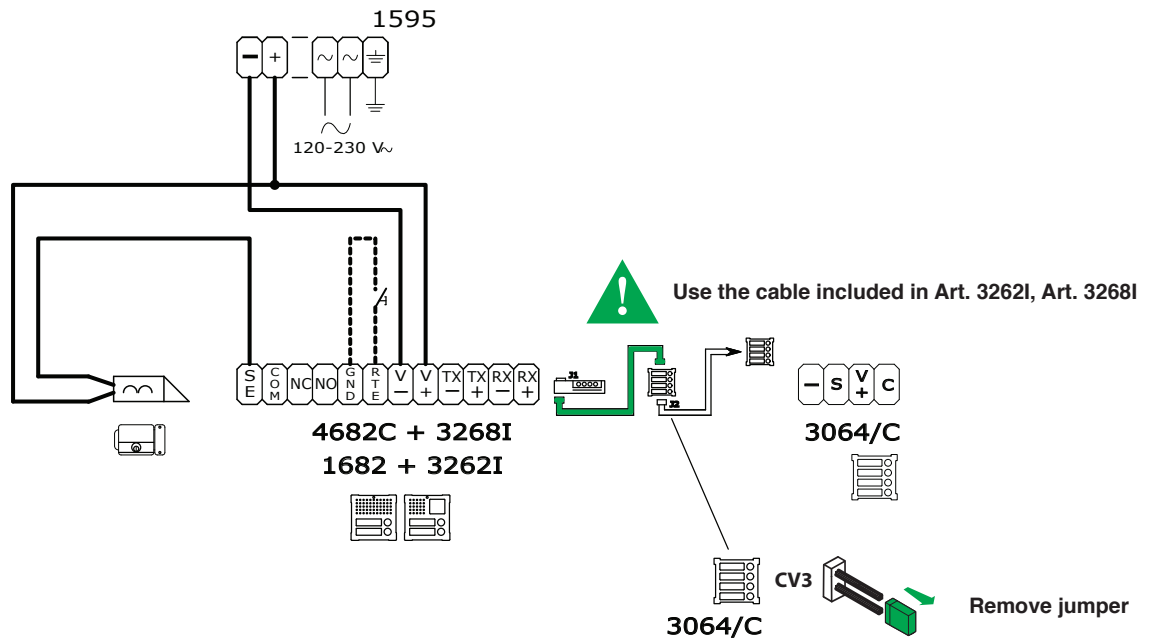
Connecting Vandalcom series digital call modules Art. 3070B and Art. 3072B with IKall series external units Art. 4682C or 1682



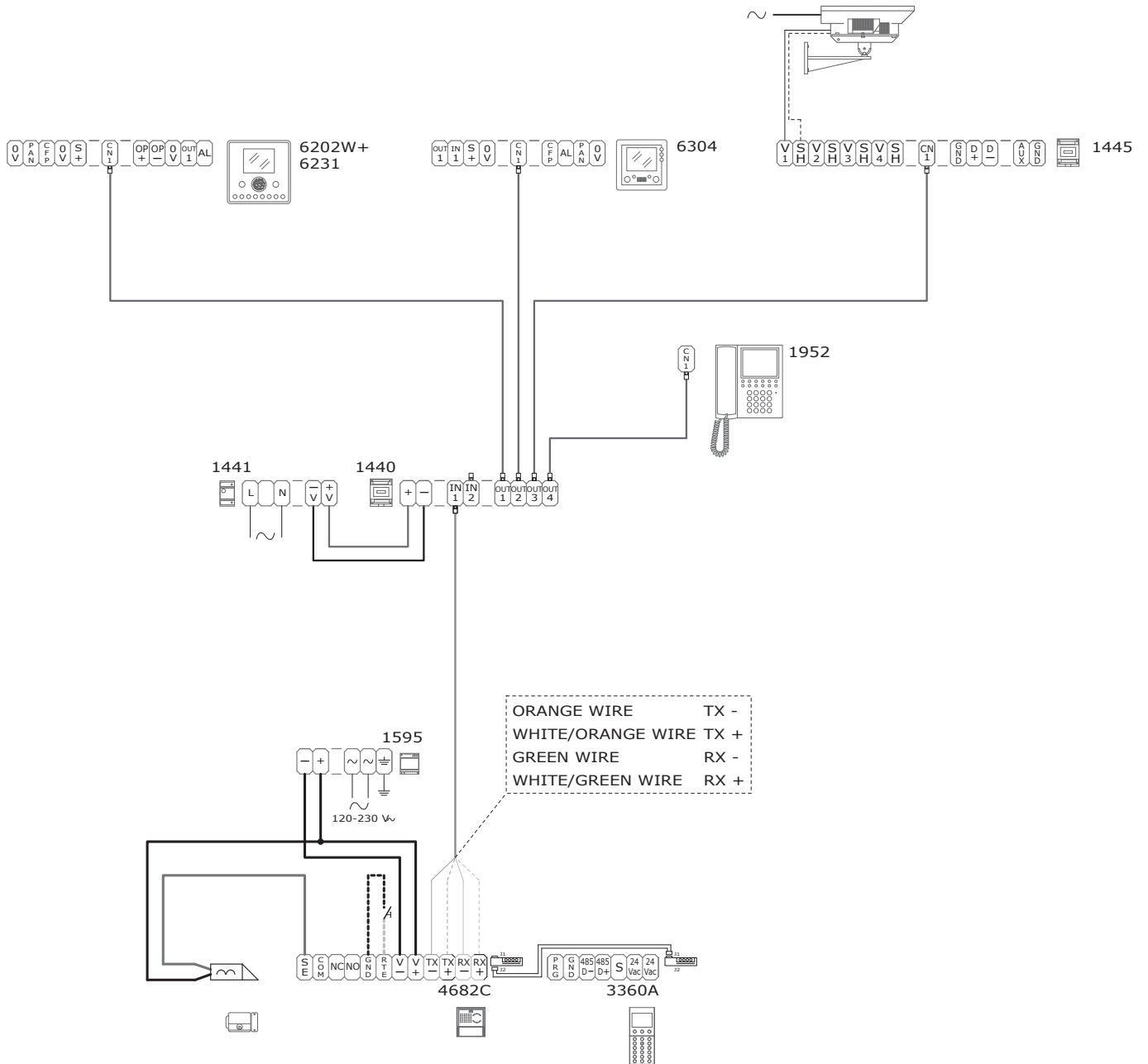
Connecting Vandalcom series digital call modules Art. 3270 and Art. 3272 with Powercom series external unit Art. 4662C



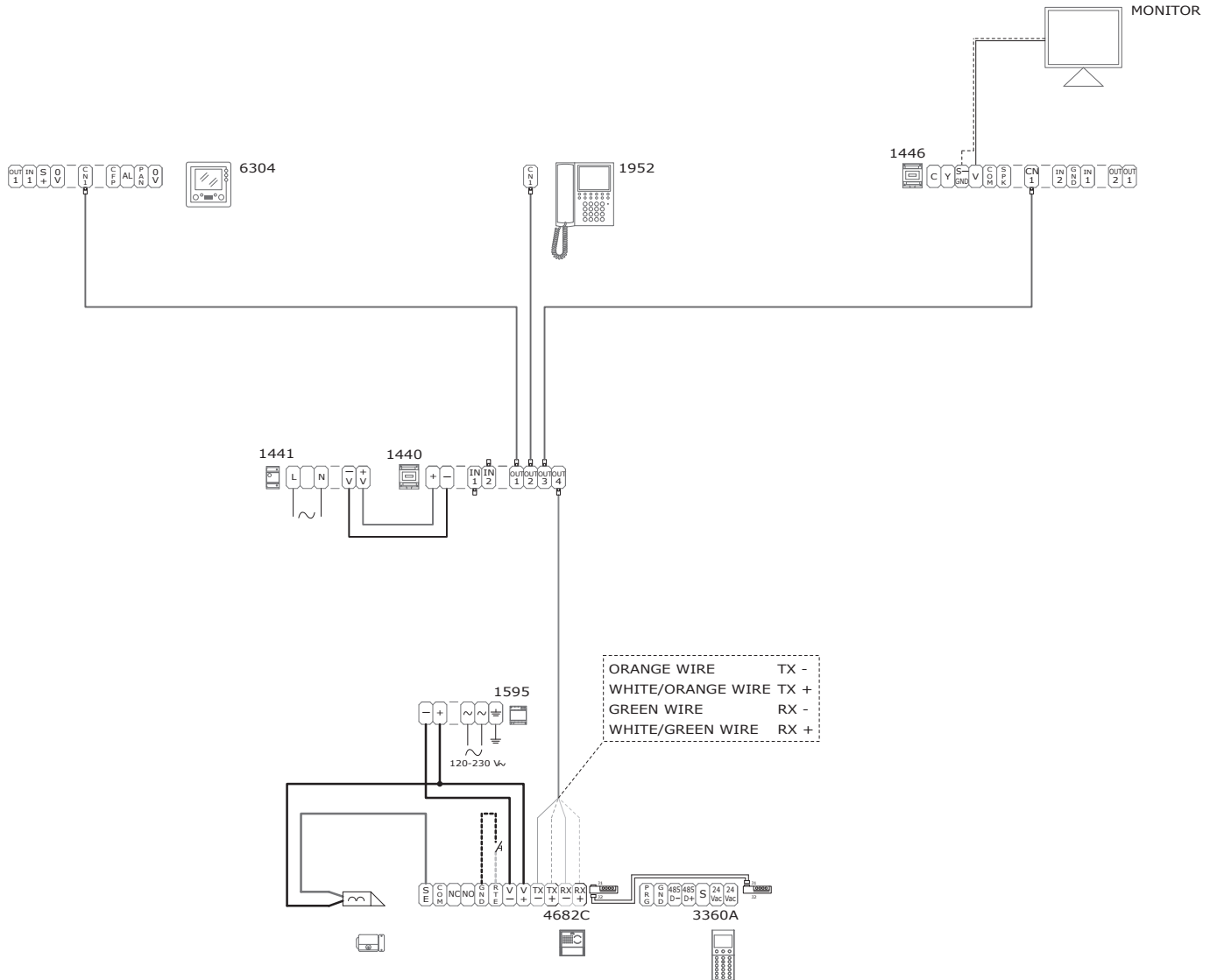
Connecting Art. 3064/C with audio-video unit 4682C or audio unit Art. 1682



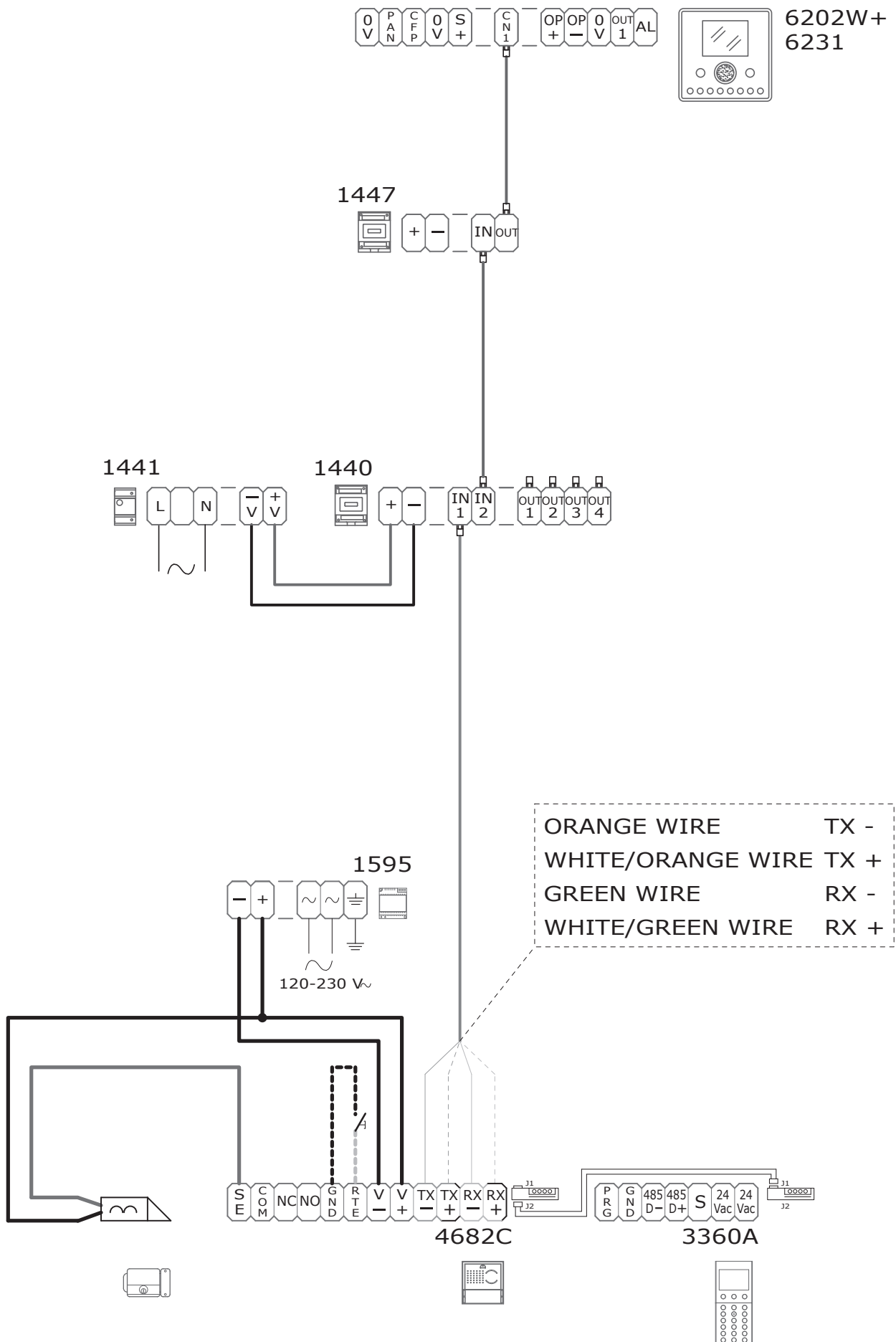
Connecting remote camera module Art. 1445



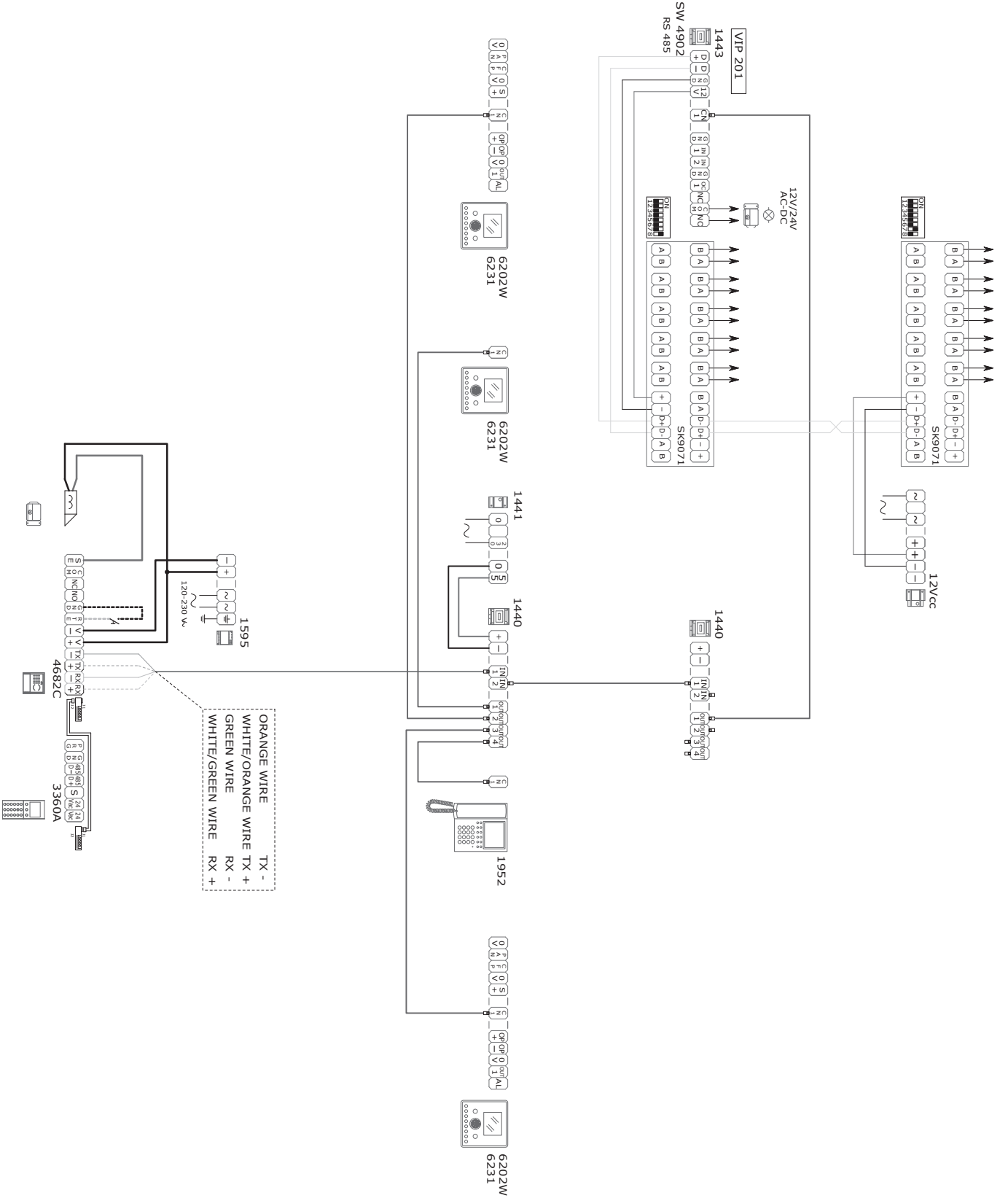
Connecting PAL / NTSC module Art. 1446



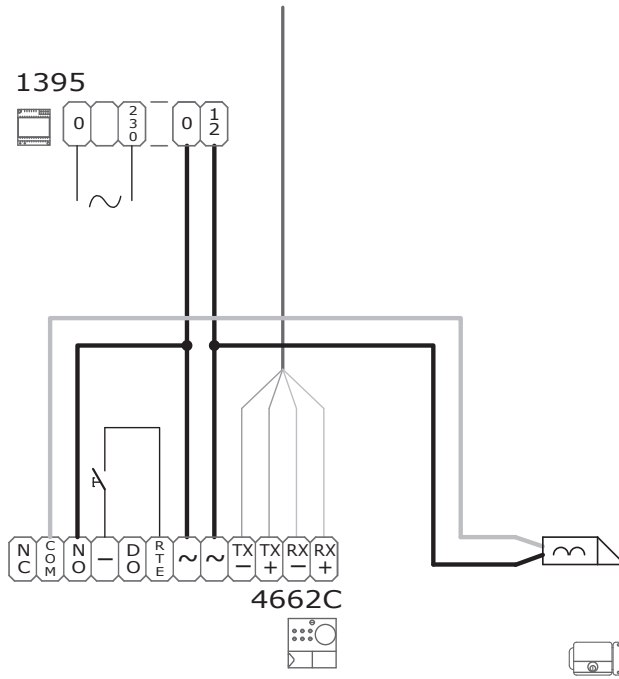
Connecting repeater module Art. 1447



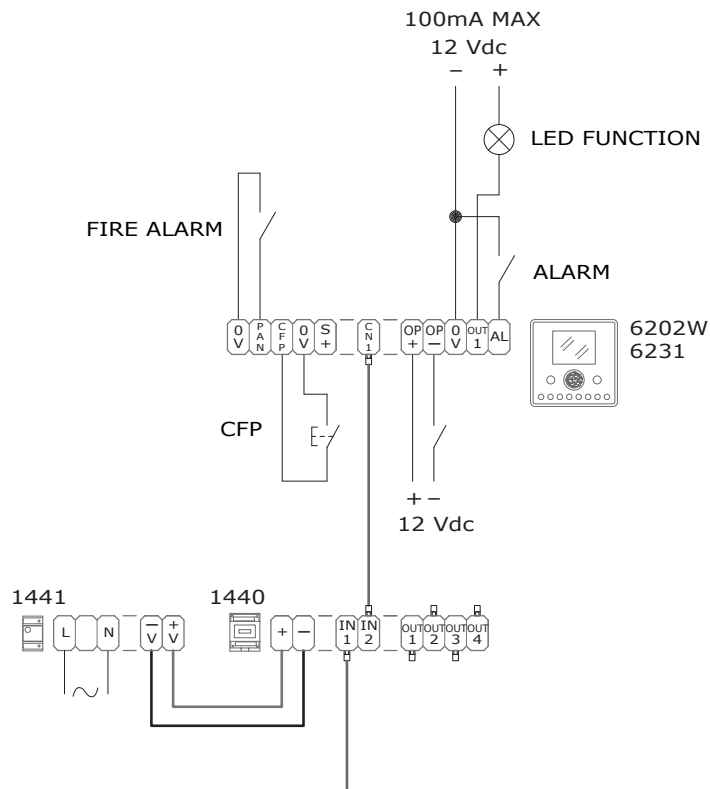
Connecting IO module Art. 1443 and expansion device Art. SK9071



Request to exit (RTE) button input variant

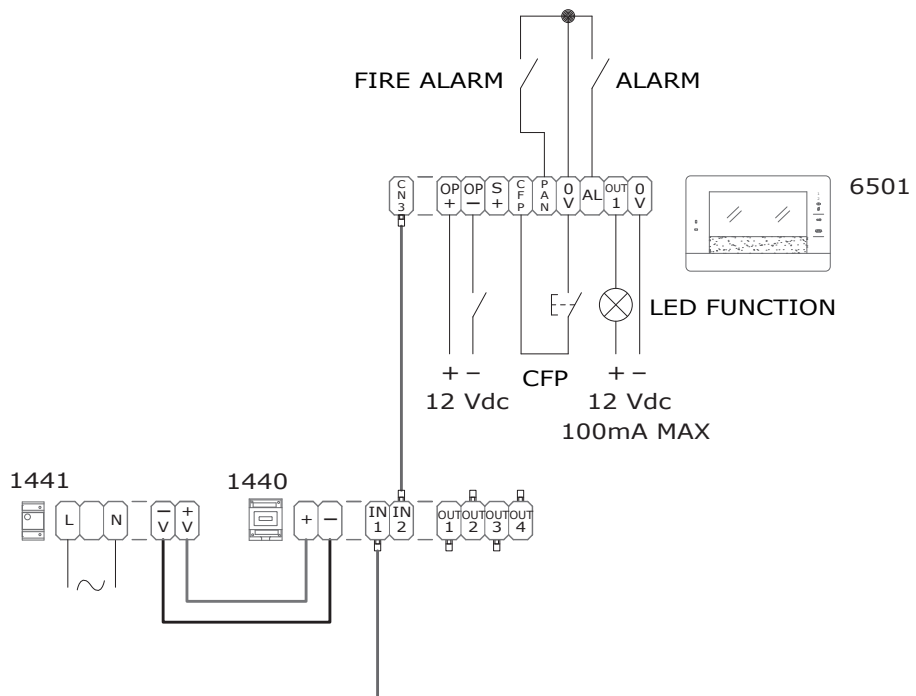


Planux VIP output and input variant



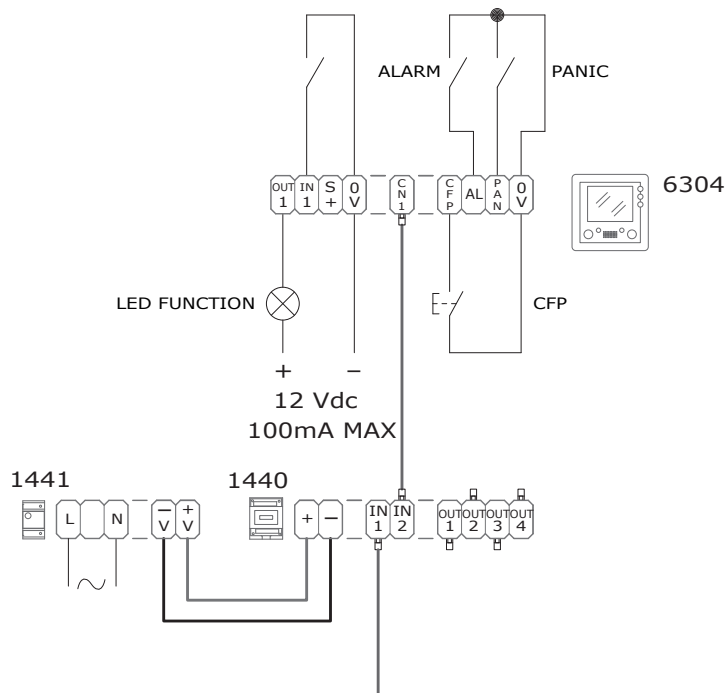
VIP/FM7

7Stelle output and input variant

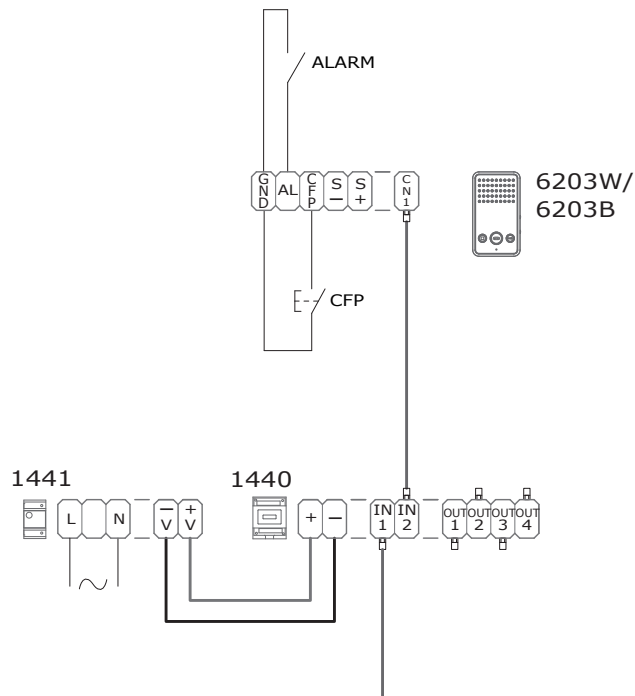


VIP/FMS

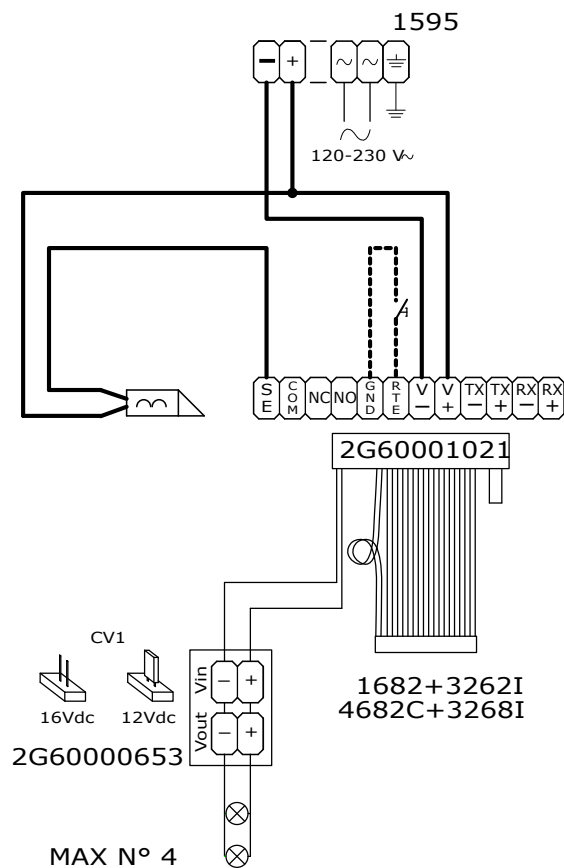
Smart output and input variant



Easycom output and input variant

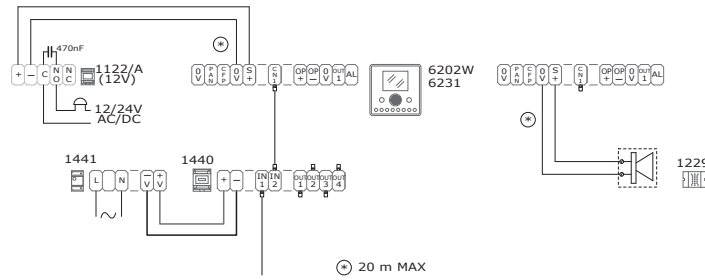


Connection of Vandalcom nameplate lighting lamp with audio unit Art. 1682 or audio-video unit Art. 4682C (Ikall)



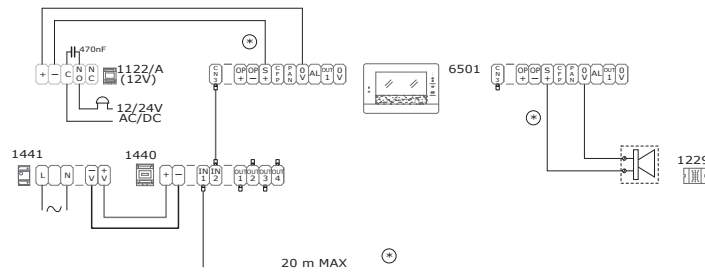
VIP/FMPS

Connecting Planux VIP additional ringtone variant



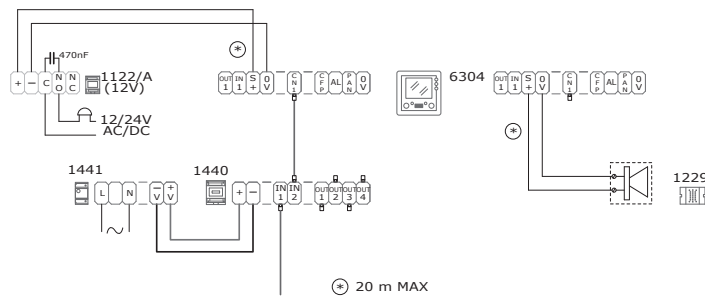
VIP/FM7S

Connecting 7Stelle additional ringtone variant



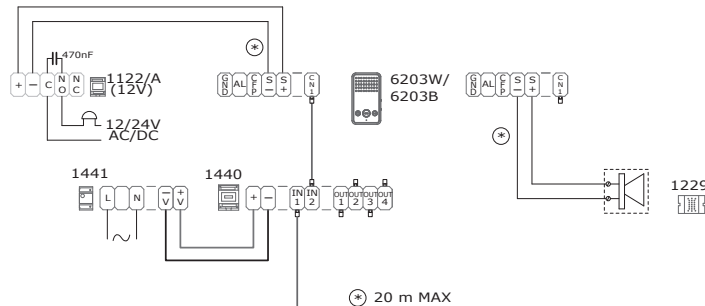
VIP/FMSS

Connecting Smart additional ringtone variant



VIP/FMES

Connecting Easycom additional ringtone variant





www.comelitgroup.com

Via Don Arrigoni, 5 - 24020 Rovetta (BG) - Italy