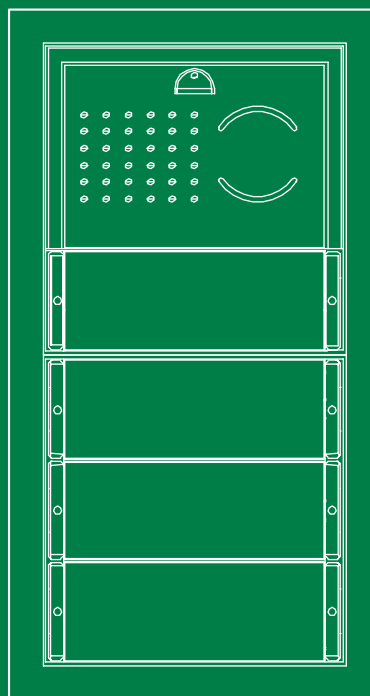
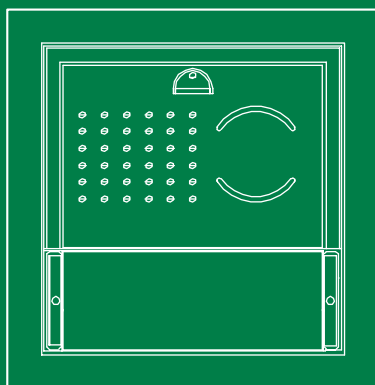


EN

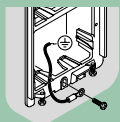
TECHNICAL
MANUAL



Technical manual for Icall external unit Art. 4681
and power supply unit Art. 1210

 **Comelit**[®]
Passion. Technology. Design.

- Install the equipment by carefully following the instructions given by the manufacturer and in compliance with the standards in force.
- All the equipment must only be used for the purpose it was designed for. **Comelit Group S.p.A.** does not assume responsibility for improper use of the apparatus, for modifications made by third parties for any reason or purpose, or for the use of non-original accessories and materials.
- All the products comply with the requirements of the 2014/30/EU and 2014/35/EU directives. This is proved by the **CE** mark on the products themselves.
- Do not route the riser wires in proximity to power supply cables (230/400V).
- Installation, mounting and assistance procedures for electrical devices must only be performed by specialised electricians.
- Disconnect the power supply before carrying out any maintenance operations.
- The camera must not be installed opposite bright light sources, or in places where the filmed subject is against the light.
- In poor light conditions, cameras with colour sensors are less sensitive than black and white cameras. We therefore recommend, in dimly lit environments, to install an additional light source.

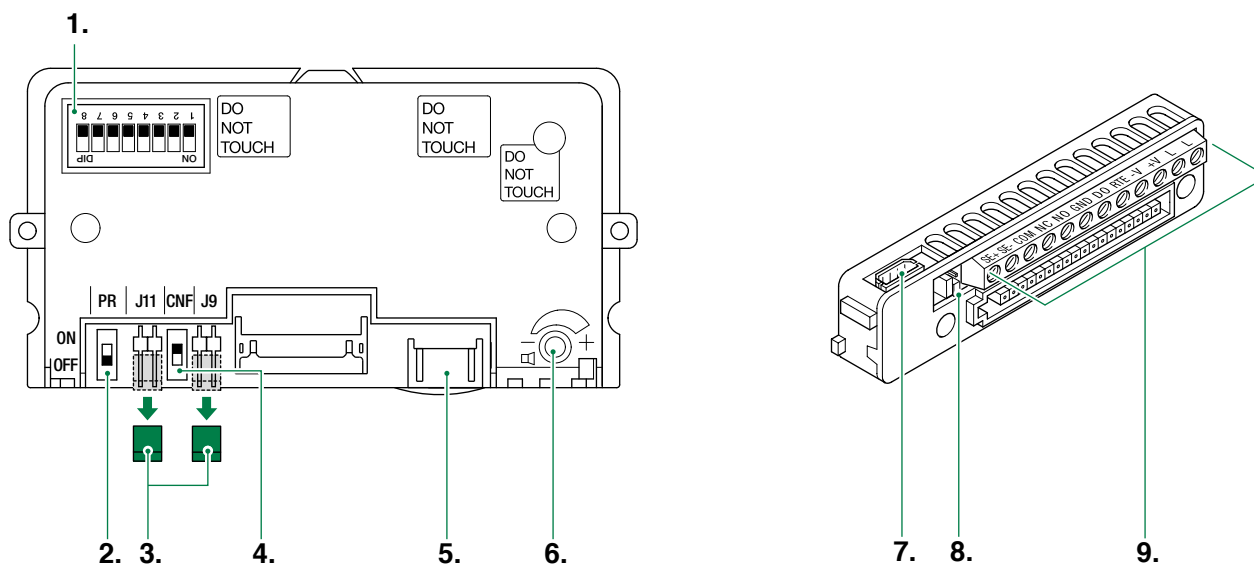


- Connect the module support frame to earth (see Fig.)

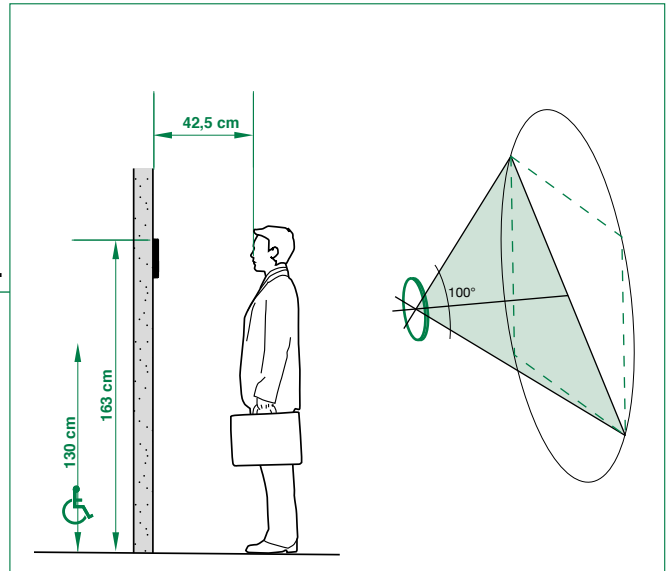
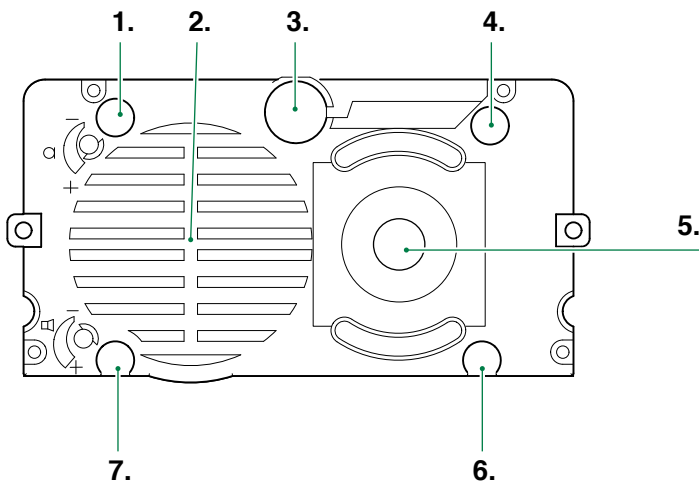
Table of contents

Warning.....	2		
Table of contents.....	2		
Description.....	3		
External unit installation	4		
Installation information.....	5		
Button programming.....	6		
Dip switch programming table	7		
EXAMPLE: dip switch setting for code 200.....	8		
Special programmes	9		
Power supply unit Art. 1210	12		
Consumption management.....	13		
External unit module consumption table	13		
Operating distances with Art. 1210.....	14		
Distances valid for articles: 6700W, 6701W, 6701B, 6721W, 6801W	14		
Distances valid for Art. 6601W	15		
Maximum system expansion.....	15		
Wiring diagrams	16		
Video entry phone system with 1 external unit Art. 4681: system commissioning/voltage test with system at rest	16		
Wiring diagram for system with external unit 4681 and supplementary power supply unit Art. 1595 (for maximum number of expansion modules)	17		
Wiring diagram for system with digital call module Art. 3360B.....	18		
Wiring diagram for system with external unit Art. 300(1-12)XVB	18		
Wiring diagram for system with electronic digital key module Art. 3348B19			
Wiring diagram for system with electronic digital key module Art. 3348B and supplementary power supply unit Art. 1595 (for maximum number of expansion modules)	20		
Wiring diagram for system with single-plate entrance panel Art. 3063D ..	21		
Wiring diagram for system with single-plate entrance panel Art. 3063D			
with supplementary power supply unit Art. 1595 (for maximum number of expansion modules)	22		
Wiring diagram for system with Vandalcom entrance panel and conventional button modules Art. 3064S	23		
Wiring diagram for systems with Vandalcom entrance panel and conventional button modules Art. 3064S and supplementary power supply unit Art. 1595 (for maximum number of expansion modules).....	24		
Wiring diagram for systems with digital call modules Art. 3070S and Art.3072S.....	25		
Wiring diagram for systems with Vandalcom electronic key module Art. 3188S	26		
Wiring diagram for systems with Art. SK9015 for connection of readers Art. SK9000I and Art. SK9001I.....	27		
Use of external unit relay on lock release or actuator command	28		
Use of RC network for lock filter on relay contacts	28		
Wiring diagram with safety lock.....	28		
Wiring diagrams for system with switching device Art. 1404	29		
System with Art. 1210: switching device in STANDARD mode and 2 inputs	29		
System with Art. 1210: switching device in STANDARD mode, 1 main input and 2 secondary inputs.....	30		
System with Art. 1210: switching devices in STANDARD mode and 8461 KIT in cascade.....	32		
System with Art. 1210: switching devices in STANDARD mode, branched 8461 KIT	34		
Wiring diagram for systems with camera module Art. 1409	35		
System Art. 1210: remote camera module Art. 1409 in generic actuator mode.....	35		

Description

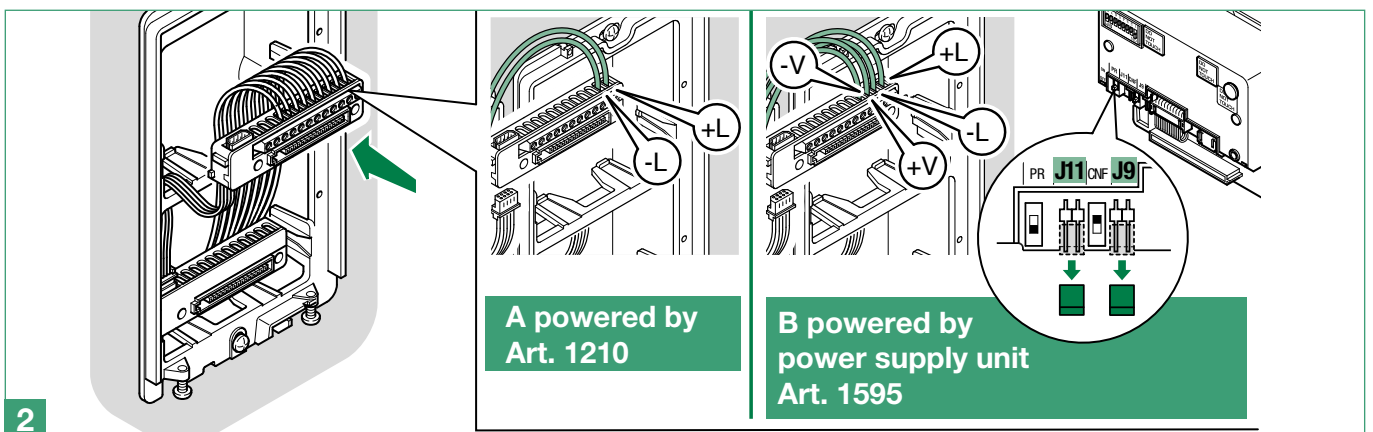
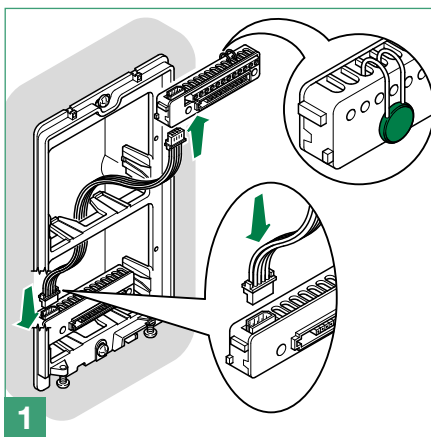


- 1. S1 DIP switches for function programming and setting the user code.
- 2. PR switch for input/output programming.
- 3. J11 jumper for power supply management. Remove in case of power on V+ and V-.
- J9 jumper for power supply management. Remove in case of power on V+ and V-.
- 4. CNF switch for confirming special programmes.
- 5. **CAUTION:** connector reserved for the module 1621VC.
- 6. Loudspeaker volume control.
- 7. 8-pole cable connector.
- 8. JP1 RC network management for door lock filter on relay contacts (see page 28).
- 9. Terminal block for connection:
 - SE+ SE- electric lock connection
 - COM common relay contact
 - NC normally closed relay contact
 - NO normally open relay contact
 - GND input reference negative for DO-RTE
 - DO door opened signal input
 - RTE local lock release input
 - V- power supply negative
 - V+ power supply positive
 - LL bus line connection



- 1. Signalling LED: call sent.
- 2. Speaker.
- 3. Microphone.
- 4. Signalling LED: system busy.
- 5. Colour camera.
- 6. Signalling LED: sound activated.
- 7. Signalling LED: lock release activated.

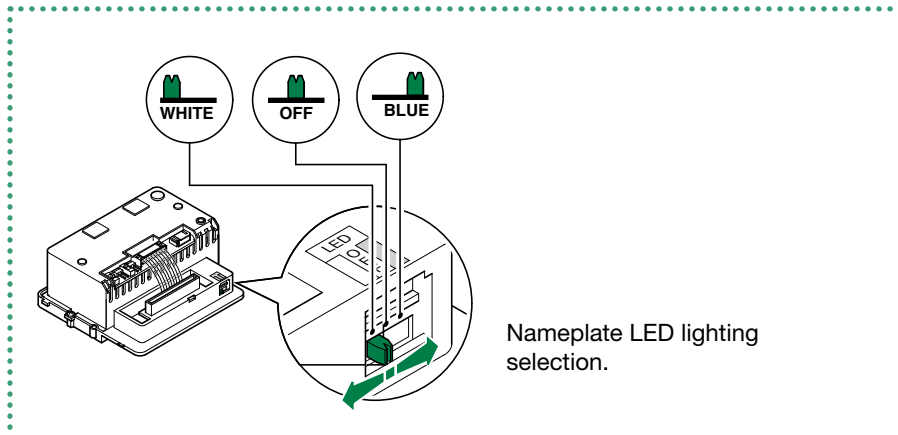
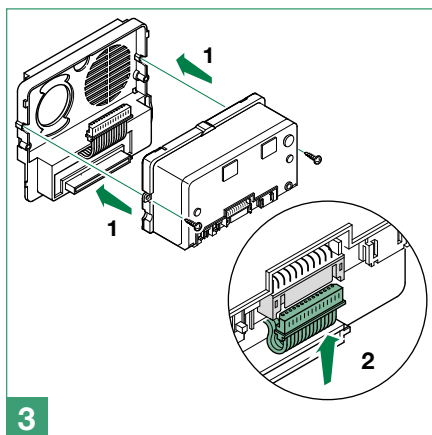
External unit installation



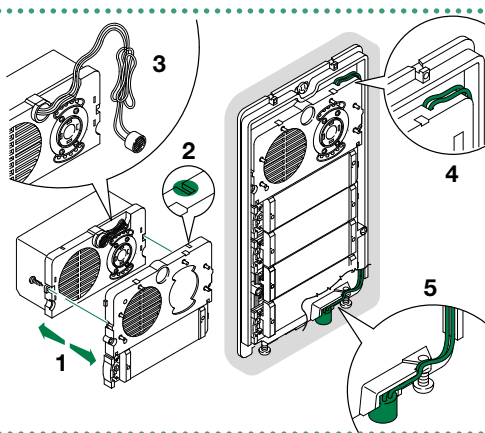
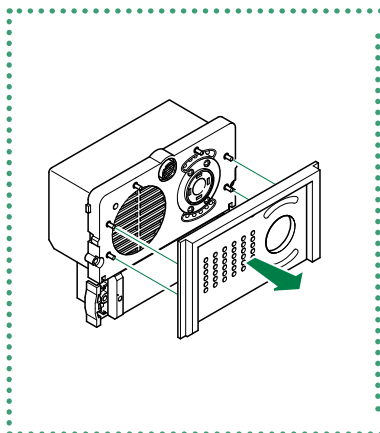


If the total power consumption of the modules exceeds 100mA then it will be necessary to use the power supply unit Art. 1595.

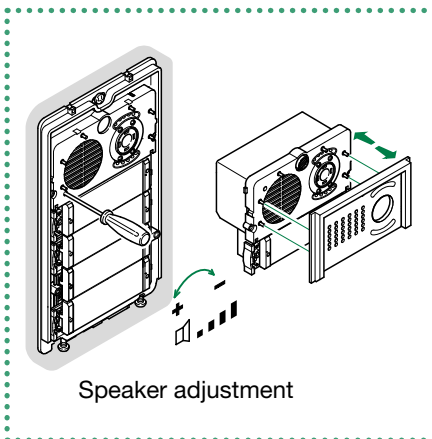
To calculate the power consumption values see "Consumption management" on page 13.



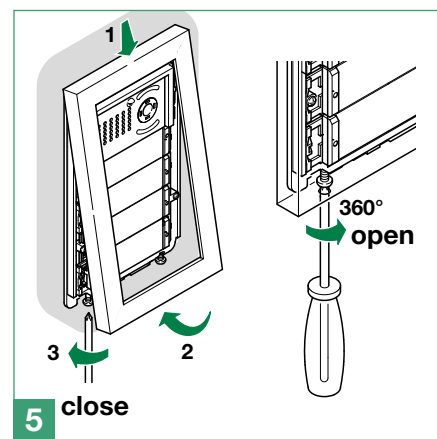
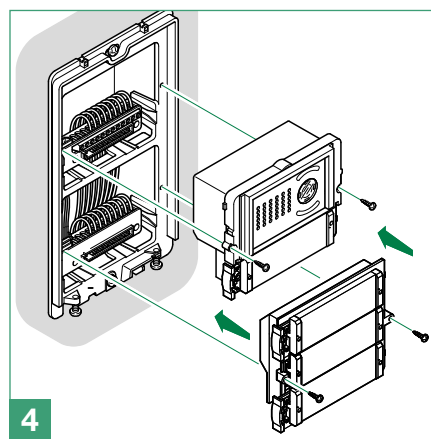
Nameplate LED lighting selection.



Alternative microphone position (excluding 4 module entrance panel)



Speaker adjustment



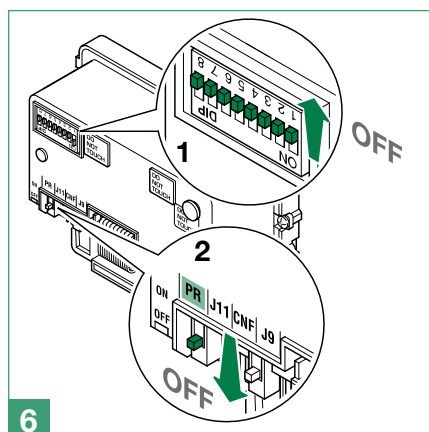
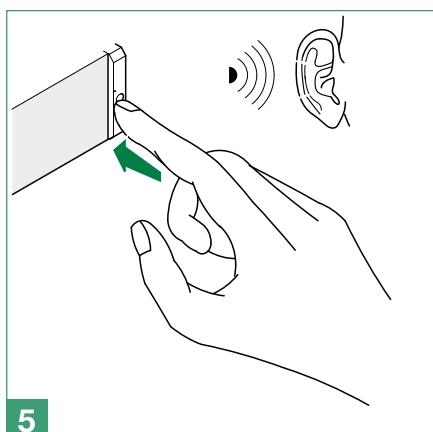
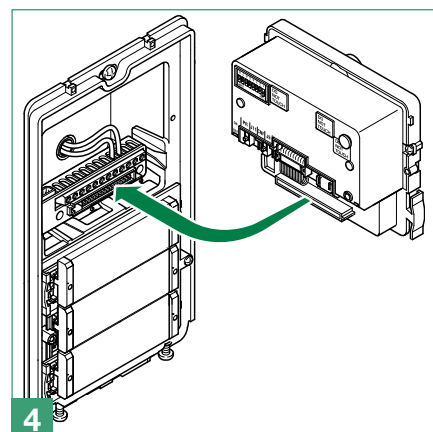
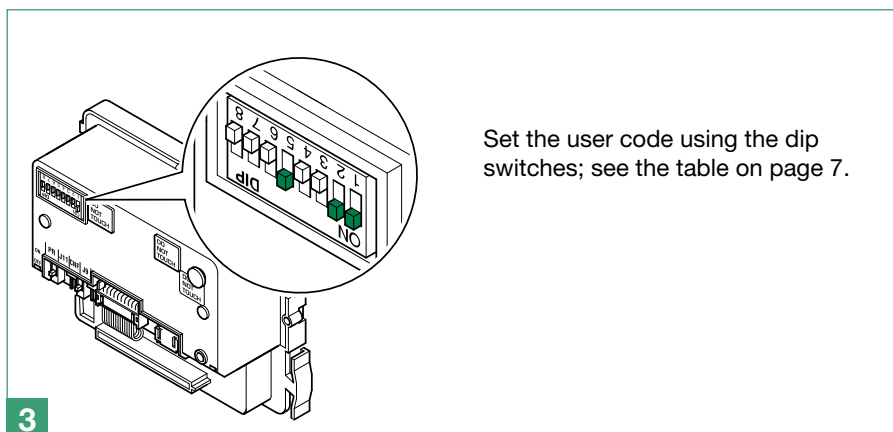
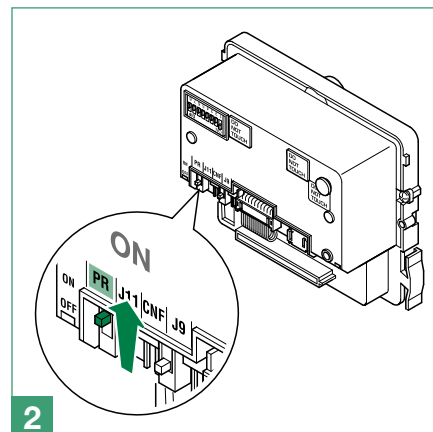
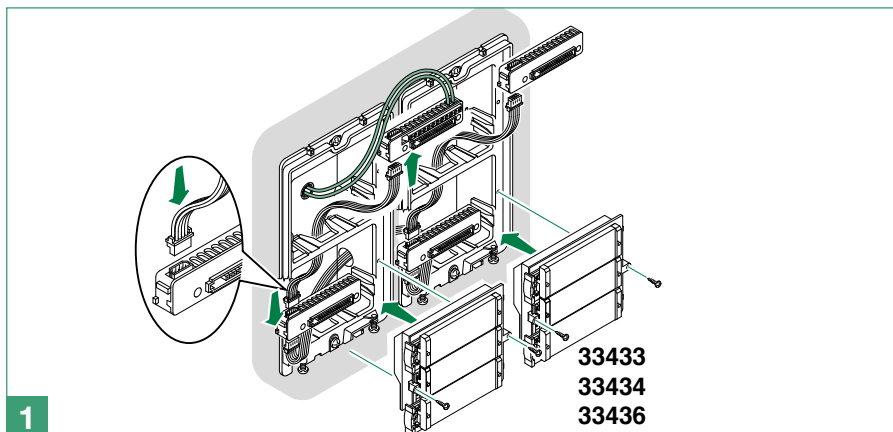
Installation information

- The module Art. 4681 operates by default as a main external unit (timed busy signal). To set it as a secondary external unit (busy signal active for the whole time the riser is in use), set all the selector DIP switches to ON.
- When a call is transmitted from the external unit, if a busy tone is heard instead of the ringtone, this means communication with another external unit is in progress.



Art. 4681 must only be used while powered by Art. 1210.

Button programming



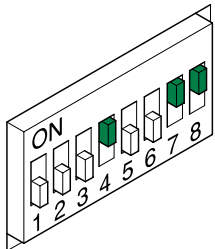
Dip switch programming table

Code	Dip switch ON	Name	Code	Dip switch ON	Name	Code	Dip switch ON	Name
1	1		50	2,5,6		99	1,2,6,7	
2	2		51	1,2,5,6		100	3,6,7	
3	1,2		52	3,5,6		101	1,3,6,7	
4	3		53	1,3,5,6		102	2,3,6,7	
5	1,3		54	2,3,5,6		103	1,2,3,6,7	
6	2,3		55	1,2,3,5,6		104	4,6,7	
7	1,2,3		56	4,5,6		105	1,4,6,7	
8	4		57	1,4,5,6		106	2,4,6,7	
9	1,4		58	2,4,5,6		107	1,2,4,6,7	
10	2,4		59	1,2,4,5,6		108	3,4,6,7	
11	1,2,4		60	3,4,5,6		109	1,3,4,6,7	
12	3,4		61	1,3,4,5,6		110	2,3,4,6,7	
13	1,3,4		62	2,3,4,5,6		111	1,2,3,4,6,7	
14	2,3,4		63	1,2,3,4,5,6		112	5,6,7	
15	1,2,3,4		64	7		113	1,5,6,7	
16	5		65	1,7		114	2,5,6,7	
17	1,5		66	2,7		115	1,2,5,6,7	
18	2,5		67	1,2,7		116	3,5,6,7	
19	1,2,5		68	3,7		117	1,3,5,6,7	
20	3,5		69	1,3,7		118	2,3,5,6,7	
21	1,3,5		70	2,3,7		119	1,2,3,5,6,7	
22	2,3,5		71	1,2,3,7		120	4,5,6,7	
23	1,2,3,5		72	4,7		121	1,4,5,6,7	
24	4,5		73	1,4,7		122	2,4,5,6,7	
25	1,4,5		74	2,4,7		123	1,2,4,5,6,7	
26	2,4,5		75	1,2,4,7		124	3,4,5,6,7	
27	1,2,4,5		76	3,4,7		125	1,3,4,5,6,7	
28	3,4,5		77	1,3,4,7		126	2,3,4,5,6,7	
29	1,3,4,5		78	2,3,4,7		127	1,2,3,4,5,6,7	
30	2,3,4,5		79	1,2,3,4,7		128	8	
31	1,2,3,4,5		80	5,7		129	1,8	
32	6		81	1,5,7		130	2,8	
33	1,6		82	2,5,7		131	1,2,8	
34	2,6		83	1,2,5,7		132	3,8	
35	1,2,6		84	3,5,7		133	1,3,8	
36	3,6		85	1,3,5,7		134	2,3,8	
37	1,3,6		86	2,3,5,7		135	1,2,3,8	
38	2,3,6		87	1,2,3,5,7		136	4,8	
39	1,2,3,6		88	4,5,7		137	1,4,8	
40	4,6		89	1,4,5,7		138	2,4,8	
41	1,4,6		90	2,4,5,7		139	1,2,4,8	
42	2,4,6		91	1,2,4,5,7		140	3,4,8	
43	1,2,4,6		92	3,4,5,7		141	1,3,4,8	
44	3,4,6		93	1,3,4,5,7		142	2,3,4,8	
45	1,3,4,6		94	2,3,4,5,7		143	1,2,3,4,8	
46	2,3,4,6		95	1,2,3,4,5,7		144	5,8	
47	1,2,3,4,6		96	6,7		145	1,5,8	
48	5,6		97	1,6,7		146	2,5,8	
49	1,5,6		98	2,6,7		147	1,2,5,8	

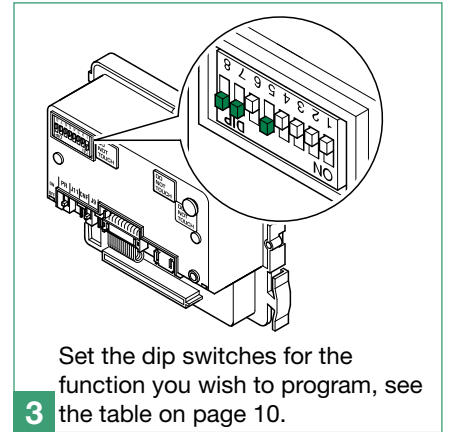
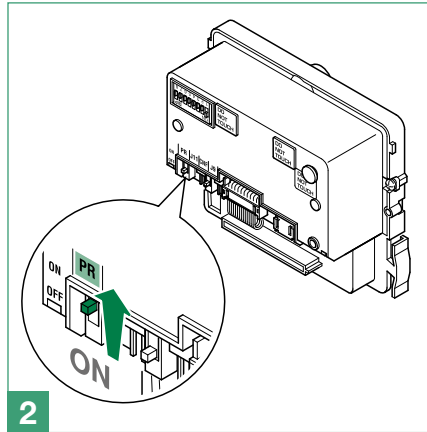
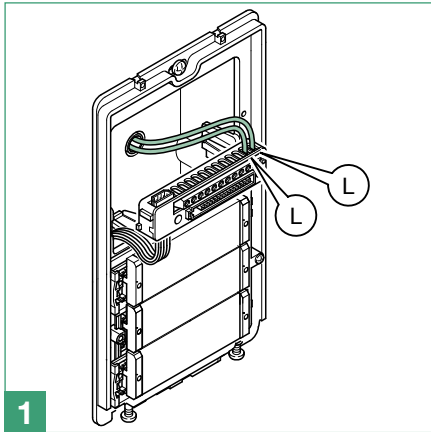
Code	Dip switch ON	Name	Code	Dip switch ON	Name	Code	Dip switch ON	Name
148	3,5,8		179	1,2,5,6,8		210	2,5,7,8	
149	1,3,5,8		180	3,5,6,8		211	1,2,5,7,8	
150	2,3,5,8		181	1,3,5,6,8		212	3,5,7,8	
151	1,2,3,5,8		182	2,3,5,6,8		213	1,3,5,7,8	
152	4,5,8		183	1,2,3,5,6,8		214	2,3,5,7,8	
153	1,4,5,8		184	4,5,6,8		215	1,2,3,5,7,8	
154	2,4,5,8		185	1,4,5,6,8		216	4,5,7,8	
155	1,2,4,5,8		186	2,4,5,6,8		217	1,4,5,7,8	
156	3,4,5,8		187	1,2,4,5,6,8		218	2,4,5,7,8	
157	1,3,4,5,8		188	3,4,5,6,8		219	1,2,4,5,7,8	
158	2,3,4,5,8		189	1,3,4,5,6,8		220	3,4,5,7,8	
159	1,2,3,4,5,8		190	2,3,4,5,6,8		221	1,3,4,5,7,8	
160	6,8		191	1,2,3,4,5,6,8		222	2,3,4,5,7,8	
161	1,6,8		192	7,8		223	1,2,3,4,5,7,8	
162	2,6,8		193	1,7,8		224	6,7,8	
163	1,2,6,8		194	2,7,8		225	1,6,7,8	
164	3,6,8		195	1,2,7,8		226	2,6,7,8	
165	1,3,6,8		196	3,7,8		227	1,2,6,7,8	
166	2,3,6,8		197	1,3,7,8		228	3,6,7,8	
167	1,2,3,6,8		198	2,3,7,8		229	1,3,6,7,8	
168	4,6,8		199	1,2,3,7,8		230	2,3,6,7,8	
169	1,4,6,8		200	4,7,8		231	1,2,3,6,7,8	
170	2,4,6,8		201	1,4,7,8		232	4,6,7,8	
171	1,2,4,6,8		202	2,4,7,8		233	1,4,6,7,8	
172	3,4,6,8		203	1,2,4,7,8		234	2,4,6,7,8	
173	1,3,4,6,8		204	3,4,7,8		235	1,2,4,6,7,8	
174	2,3,4,6,8		205	1,3,4,7,8		236	3,4,6,7,8	
175	1,2,3,4,6,8		206	2,3,4,7,8		237	1,3,4,6,7,8	
176	5,6,8		207	1,2,3,4,7,8		238	2,3,4,6,7,8	
177	1,5,6,8		208	5,7,8		239	1,2,3,4,6,7,8	
178	2,5,6,8		209	1,5,7,8		*240	5,6,7,8	

*NOTE: code 240 is reserved for the porter switchboard

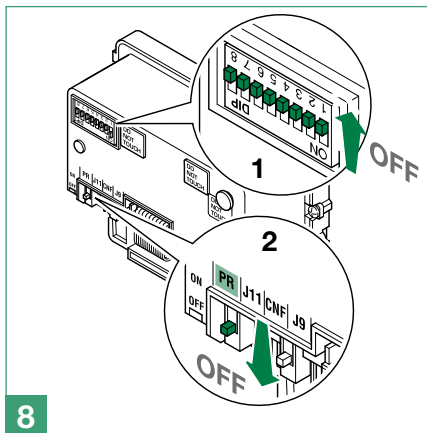
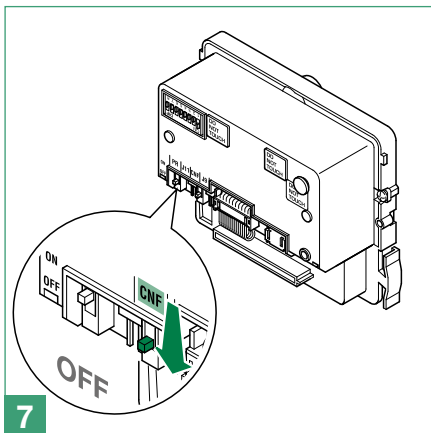
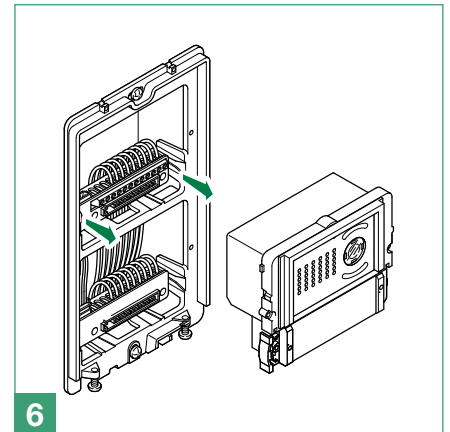
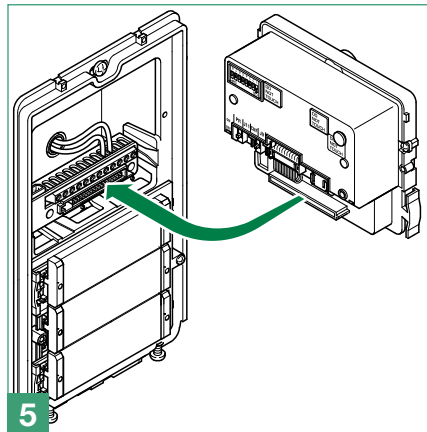
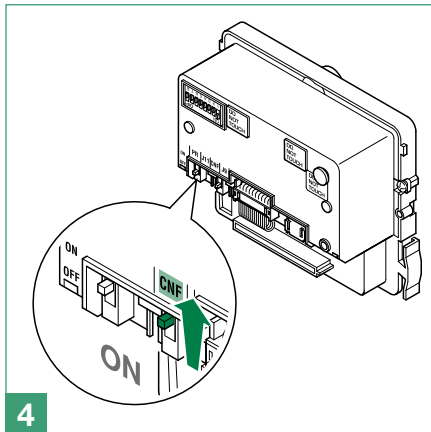
EXAMPLE: dip switch setting for code 200



Special programmes



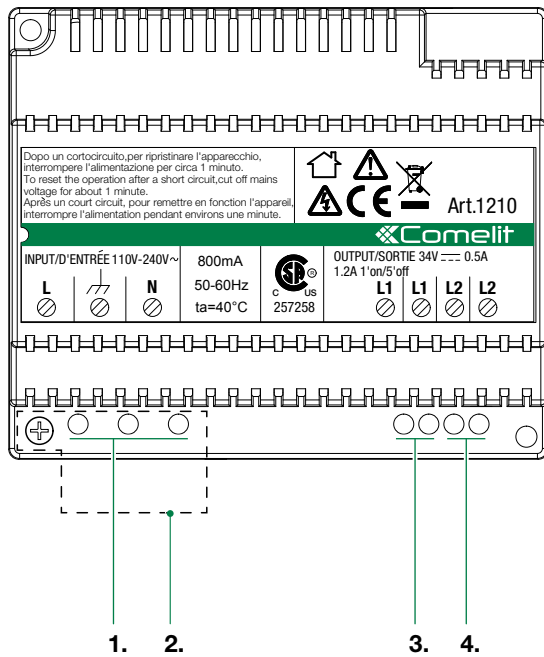
Set the dip switches for the function you wish to program, see the table on page 10.



CODE	DIP SWITCHES ON	FUNCTIONS
		De-misting heating element
213	1,3,5,7,8	OFF (default)
212	3,5,7,8	ON
		Audio-visual messages
195	1,2,7,8	Hebrew
196	3,7,8	Polish
197	1,3,7,8	Catalan
198	2,3,7,8	Galician
199	1,2,3,7,8	Basque
206	2,3,4,7,8	Danish
207	1,2,3,4,7,8	Norwegian
211	1,2,5,7,8	Swedish
215	1,2,3,5,7,8	Italian
216	4,5,7,8	French
217	1,4,5,7,8	Spanish
218	2,4,5,7,8	Dutch
219	1,2,4,5,7,8	Greek
220	3,4,5,7,8	English
221	1,3,4,5,7,8	German
222	2,3,4,5,7,8	Portuguese
202	2,4,7,8	Enables voice message (door opened warning) when the RTE contact is closed
203	1,2,4,7,8	Disables voice message (door opened warning) when the RTE contact is closed (default setting)
208	5,7,8	Enables "awaiting reset time" on lock release command.
209	1,5,7,8	Disables "awaiting reset time" on lock release command (awaiting response time or talk time will be activated).
210	2,5,7,8	visual messages only
214	2,3,5,7,8	OFF (default)
		Actuator command management N.B. Art. 1256 in generic actuator mode must not be present in the system.
227	1,2,6,7,8	Actuator function on S serial line = enabled
228	3,6,7,8	Actuator function on S serial line = disabled (default)
229	1,3,6,7,8	Enabling C.NC.NO relay on actuator command: 2 secs.
230	2,3,6,7,8	Enabling C.NC.NO relay on actuator command: 4 secs.
231	1,2,3,6,7,8	Enabling C.NC.NO relay on actuator command: 8 secs.
		Door lock
245	1,3,5,6,7,8	Door lock time: 2 secs. + disabling tone (default)
246	2,3,5,6,7,8	Door lock time: 4 secs.
247	1,2,3,5,6,7,8	Door lock time: 8 secs.
248	4,5,6,7,8	Door lock confirmation tone: enabled
251	1,2,4,5,6,7,8	Relay C.NC.NO in parallel to SE (default)
252	3,4,5,6,7,8	Lock-release always enabled (default)
253	1,3,4,5,6,7,8	Lock-release only enabled for user called
		System functions
232	4,6,7,8	Awaiting response time: 60 secs.. (default)
233	1,4,6,7,8	Awaiting response time: 120 secs.
234	2,4,6,7,8	Awaiting response time: 30 secs.

235	1,2,4,6,7,8	Talk time: 90 secs. (default)
236	3,4,6,7,8	Talk time: 180 secs.
237	1,3,4,6,7,8	Self-ignition: enabled (default)
238	2,3,4,6,7,8	Self-ignition: disabled
239	1,2,3,4,6,7,8	Confirmation tone on user call = enabled (default)
240	5,6,7,8	Confirmation tone on user call = disabled
243	1,2,5,6,7,8	Awaiting reset time: 10 secs. (default)
244	3,5,6,7,8	Awaiting reset time: 1 sec.
208	5,7,8	Reset after lock-release in audio: enabled (default)
209	1,5,7,8	Reset after lock-release in audio: disabled
249	1,4,5,6,7,8	Call transmission: single (default)
250	2,4,5,6,7,8	Call transmission: triple
		System mode
0		Simplebus (default)
255	1,2,3,4,5,6,7,8	Simplebus Top (NO Art. 4680KC)
254	2,3,4,5,6,7,8	Restore default

Power supply unit Art. 1210



1. L \equiv N mains power input 110-240 V~
2. Terminal protection
3. L1 L1 main bus line output (34 V)
4. L2 L2 riser bus line input (34 V)



The building's electrical system must include an omnipolar mains switch (easily accessible) with contact separation of at least 3mm to disconnect the power supply from the device.

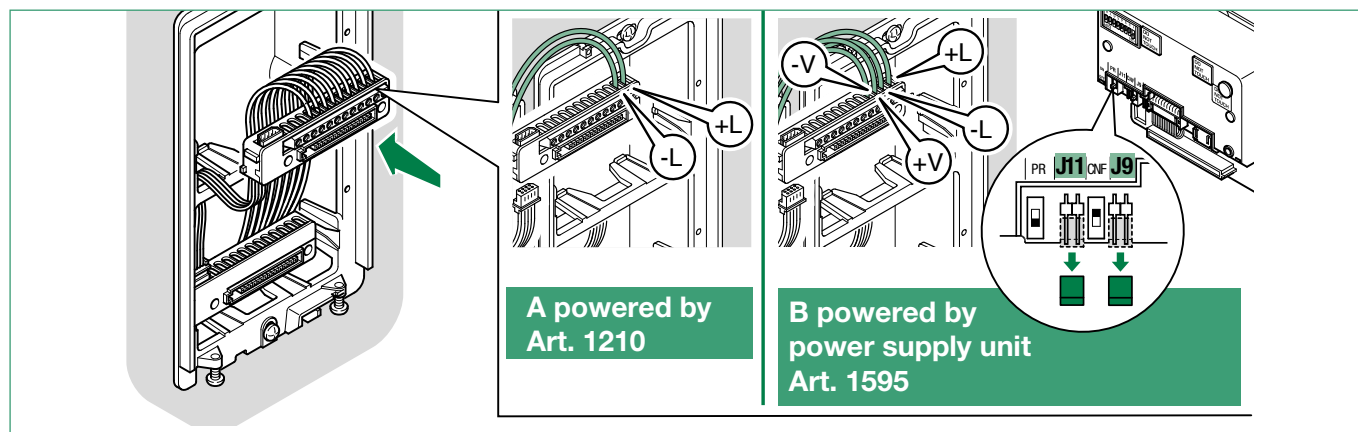
Consumption management

On systems with Art. 4681 and power supply unit Art. 1210, the maximum current available for the external unit modules is 100mA.



Calculate the total power consumption of the modules in your system configuration using the Consumption table.

If the total power consumption exceeds 100mA, connect a supplementary power supply unit (Art. 1595) to the V+ and V- contacts of the external unit, as shown in the figure below (see the diagram S2W/MOD)

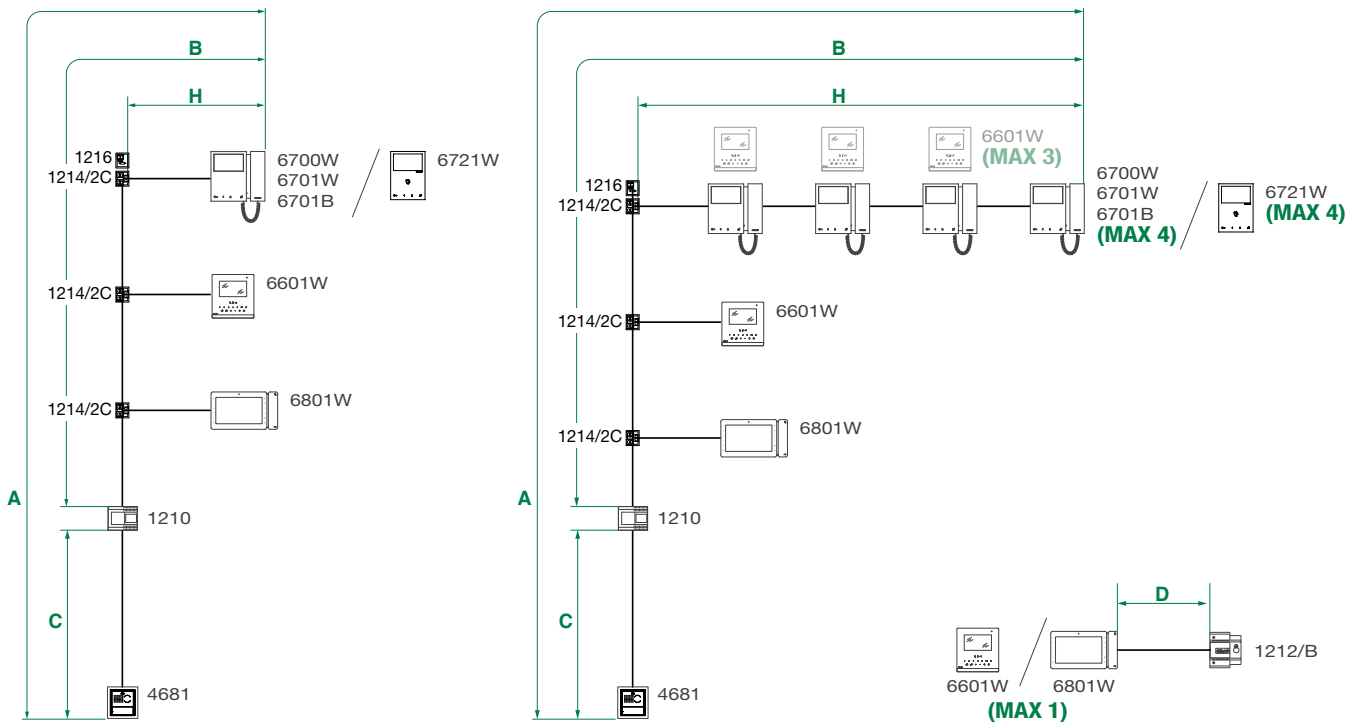


External unit module consumption table

Code	Consumption	Notes on maximum limit with the supplementary power supply unit Art. 1595	
1172B LED bulb	8mA		
3348B	30mA		
	with 1 bistable relay active	60mA	with MAX 17 Art. 33436 / 33434 / 33433 supplementary power supply unit Art. 1595 (see diagram on page. 20)
	with 2 bistable relays active	80mA	with MAX 17 Art. 33436 / 33434 / 33433 supplementary power supply unit Art. 1595 (see diagram on page. 20)
3360B	45mA		
SK9000I	50mA		
SK9001I	50mA		
ACM/R	60mA		
ACM/500-2	60mA		
3063D	8mA*	MAX 30 pcs with supplementary power supply unit Art. 1595 (see diagram on page 22)	
33400x	0mA		
33401x	20mA		
33402x	20mA		
33410x	0mA		
33411x	20mA		
33412x	20mA		
33436 / 33434 / 33433	20mA	MAX 17 pcs with supplementary power supply unit Art. 1595 (see diagram on page 17)	
3336x	20mA		
3262S/1/2 / 3268S/1/2	0 mA*		
3262S/0 / 3268S/0	0 mA		
3064S	8mA*	MAX 30 pcs with supplementary power supply unit Art. 1595 (see diagram on page 24)	
3070S	only with 1595	(see diagram on page 25)	
3072S	only with 1595	(see diagram on page 25)	
3188S	only with 1595	(see diagram on page 26)	

* Add the consumption of bulb 1172B, if used.

Operating distances with Art. 1210



Distances valid for articles: 6700W, 6701W, 6701B, 6721W, 6801W

	A MAX	B MAX	C MAX	H MAX	D MAX	Art. 1216
Comelit Art. 4577/4579 1 mm ² (Ø 1.2 mm AWG 17) 	260 m (850 feet)	130 m (425 feet)	130 m (425 feet)	50 m (164 feet)	100 m (328 feet)	
UTP5 cat. 5 0.2 mm ² (Ø 0.5 mm AWG 24) 	80 m (260 feet)	40 m (130 feet)	40 m (130 feet)	30 m (98 feet)	/	
0.28 mm ² (Ø 0.6 mm AWG 23) 	100 m (328 feet)	50 m (164 feet)	50 m (164 feet)	30 m (98 feet)	10 m (32.5 feet)	
0.5 mm ² (Ø 0.8 mm AWG 20) 	140 m (460 feet)	70 m (230 feet)	70 m (230 feet)	30 m (98 feet)	25 m (82 feet)	
1 mm ² (Ø 1.2 mm AWG 17) 	200 m (656 feet)	100 m (328 feet)	100 m (328 feet)	40 m (130 feet)	50 m (164 feet)	
1.5 mm ² (Ø 1.4 mm AWG 15) 	80 m (260 feet)	40 m (130 feet)	40 m (130 feet)	30 m (98 feet)	100 m (328 feet)	
*UTP5 cat. 5 0.2 mm ² (Ø 0.5 mm AWG 24) MULTI PAIR CABLE GREEN GREEN / WHITE ORANGE / WHITE ORANGE BLU BLU / WHITE BROWN / WHITE BROWN	260 m (850 feet)	130 m (425 feet)	130 m (425 feet)	50 m (164 feet)	/	

*UTP cable with multi-cable connection: FOLLOW THE COLOURS SHOWN IN THE DIAGRAM!

Distances valid for Art. 6601W

	A MAX	B MAX	C MAX	H MAX	D MAX	Art. 1216
Comelit Art. 4577/4579 1 mm ² (Ø 1.2 mm AWG 17) 	160 m (525 feet)	70 m (230 feet)	90 m (295 feet)	30 m (98 feet)	100 m (328 feet)	
UTP5 cat. 5 0.2 mm ² (Ø 0.5 mm AWG 24) 	80 m (263 feet)	40 m (130 feet)	40 m (130 feet)	30 m (98 feet)	/	
0.28 mm ² (Ø 0.6 mm AWG 23) 	90 m (295 feet)	40 m (130 feet)	50 m (164 feet)	30 m (98 feet)	10 m (32.5 feet)	
0.5 mm ² (Ø 0.8 mm AWG 20) 	110 m (360 feet)	50 m (164 feet)	60 m (197 feet)	30 m (98 feet)	25 m (82 feet)	
1 mm ² (Ø 1.2 mm AWG 17) 	140 m (460 feet)	70 m (230 feet)	70 m (230 feet)	30 m (98 feet)	50 m (164 feet)	
1.5 mm ² (Ø 1.4 mm AWG 15) 	60 m (197 feet)	30 m (98 feet)	30 m (98 feet)	30 m (98 feet)	100 m (328 feet)	
*UTP5 cat. 5 0.2 mm ² (Ø 0.5 mm AWG 24) MULTI PAIR CABLE GREEN GREEN / WHITE ORANGE / WHITE ORANGE BLU BLU / WHITE BROWN / WHITE BROWN	240 m (786 feet)	120 m (393 feet)	120 m (393 feet)	60 m (197 feet)	/	

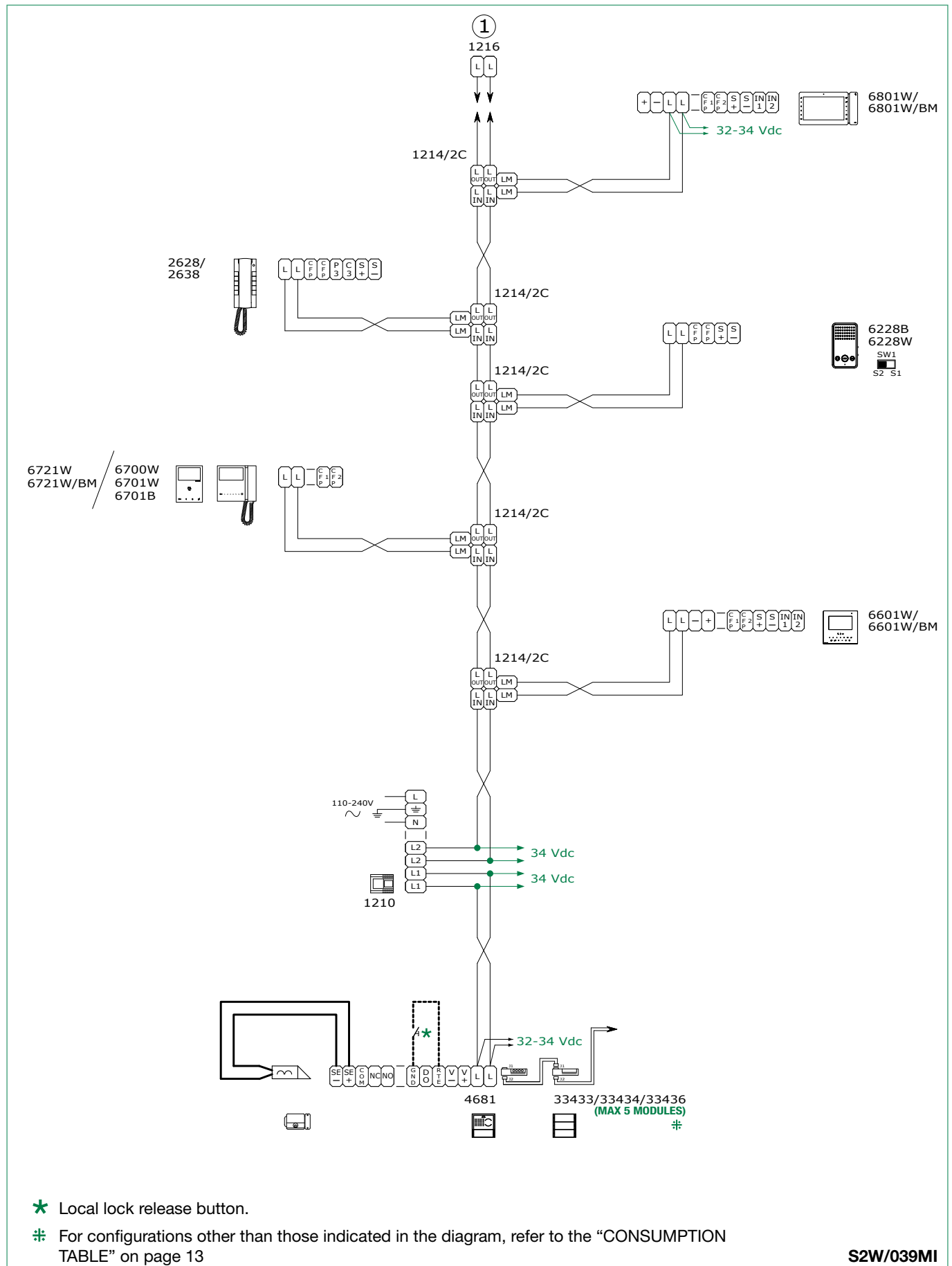
*UTP cable with multi-cable connection: FOLLOW THE COLOURS SHOWN IN THE DIAGRAM!

Maximum system expansion

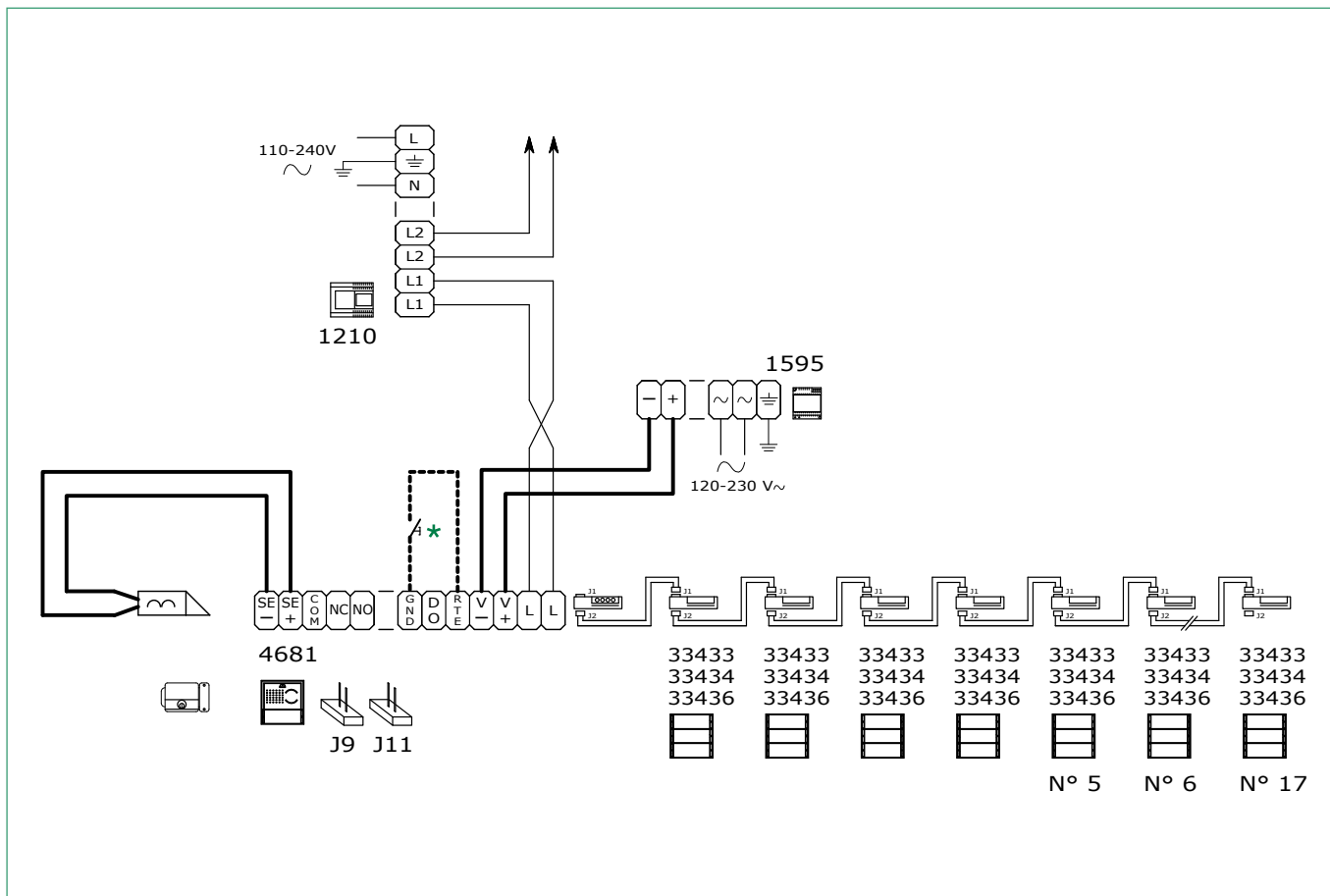
Devices	 6700W 6701W 6701B	 6721W	 6601W	 6801W
Max. number of monitors (per Type) that can be connected to the system	100	100	90	100
Maximum number of main internal units powered from the riser	1	1	1	1
Maximum number of main internal units that can be powered from Art. 1212/B	/	/	1	1
Maximum number of internal units (including call repetition devices) with the same user code	4	4	3	4
Call repetition devices that can be used	1229A	1229A	1229A 1229	1229A 1229

Wiring diagrams

Video entry phone system with 1 external unit Art. 4681: system commissioning/voltage test with system at rest.



Wiring diagram for system with external unit 4681 and supplementary power supply unit Art. 1595 (for maximum number of expansion modules).



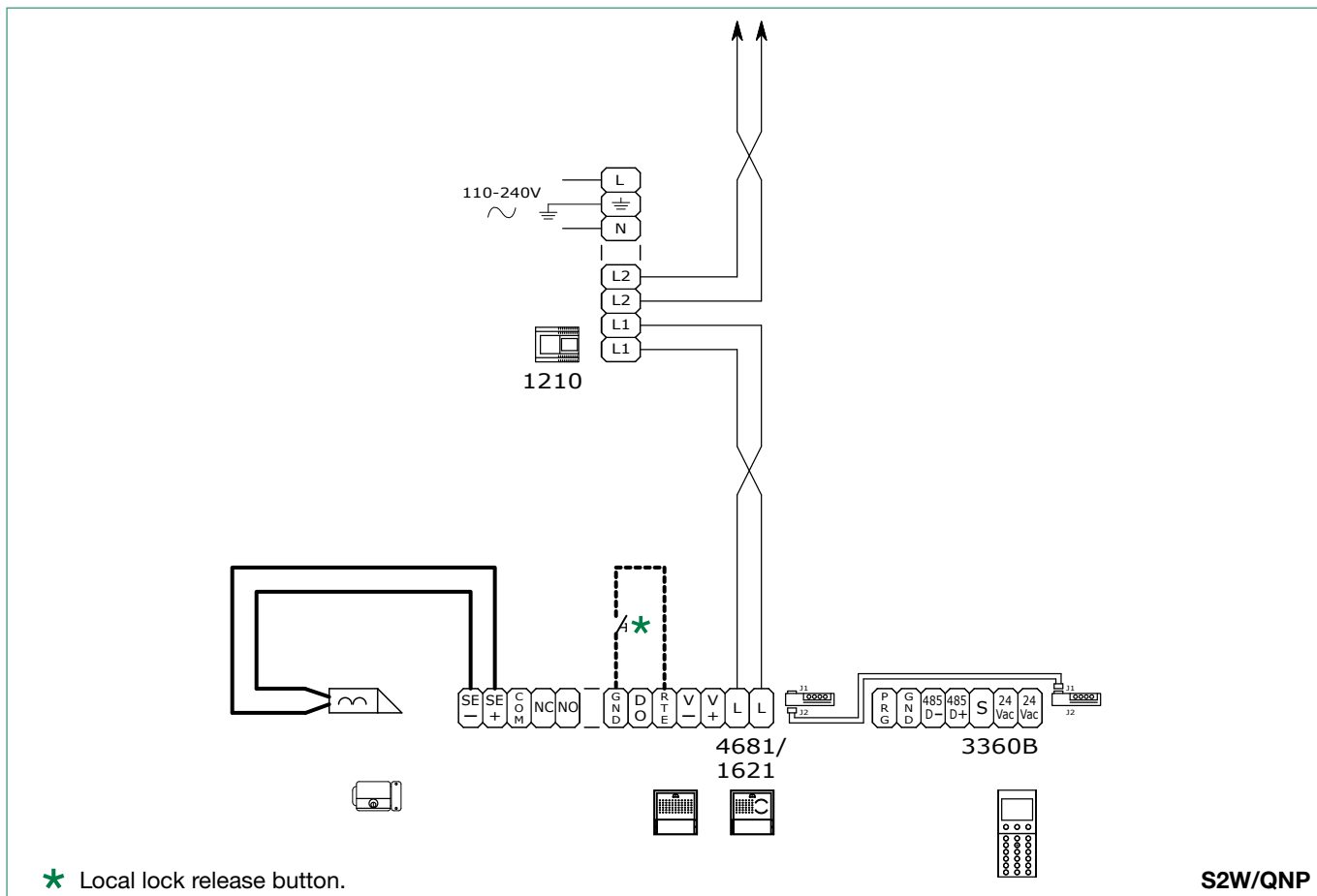
* Local lock release button.

NOTA BENE

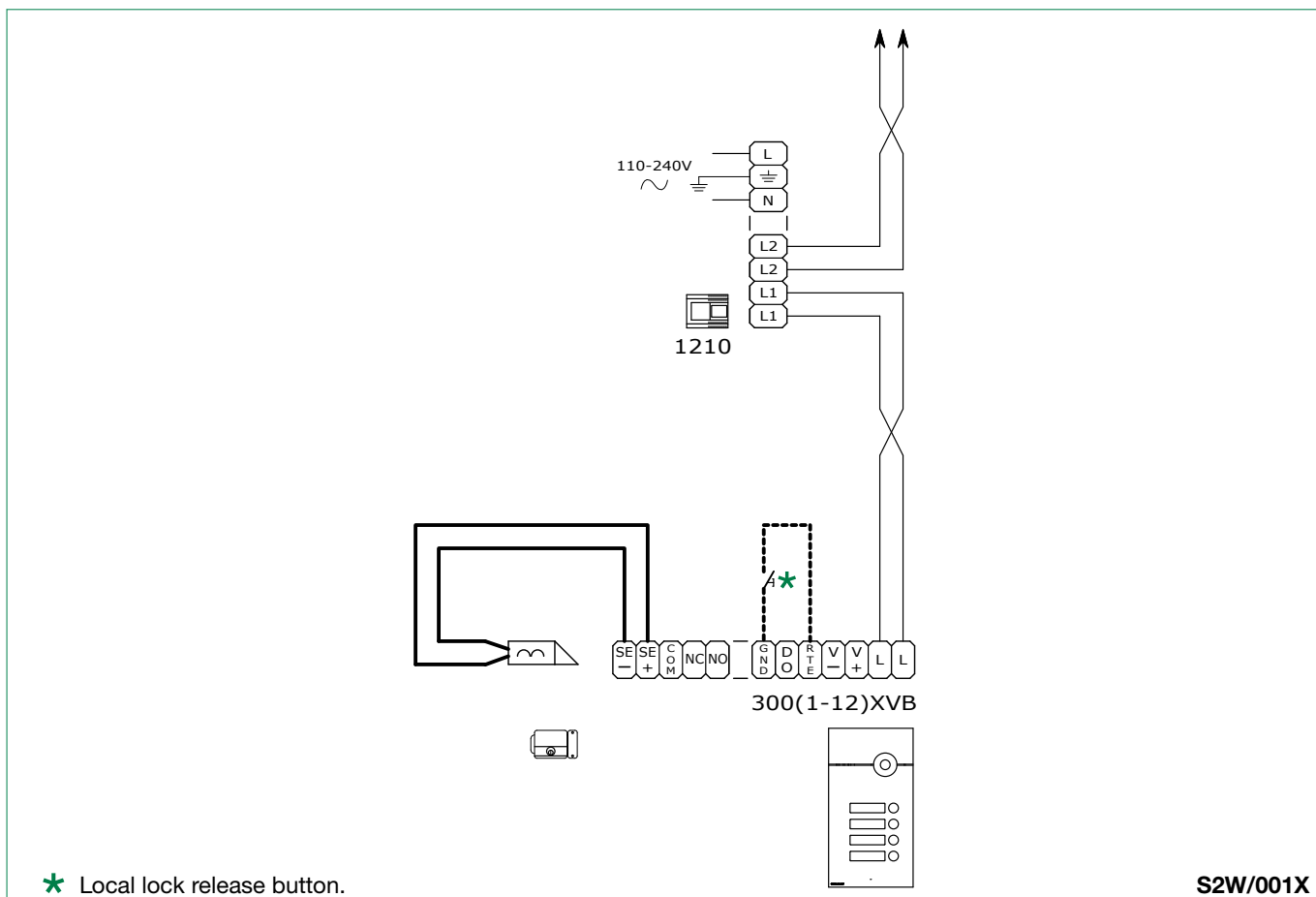
Diagram applies to systems with up to 17 Art. 33433 / 33434 / 33436.

S2W/MOD

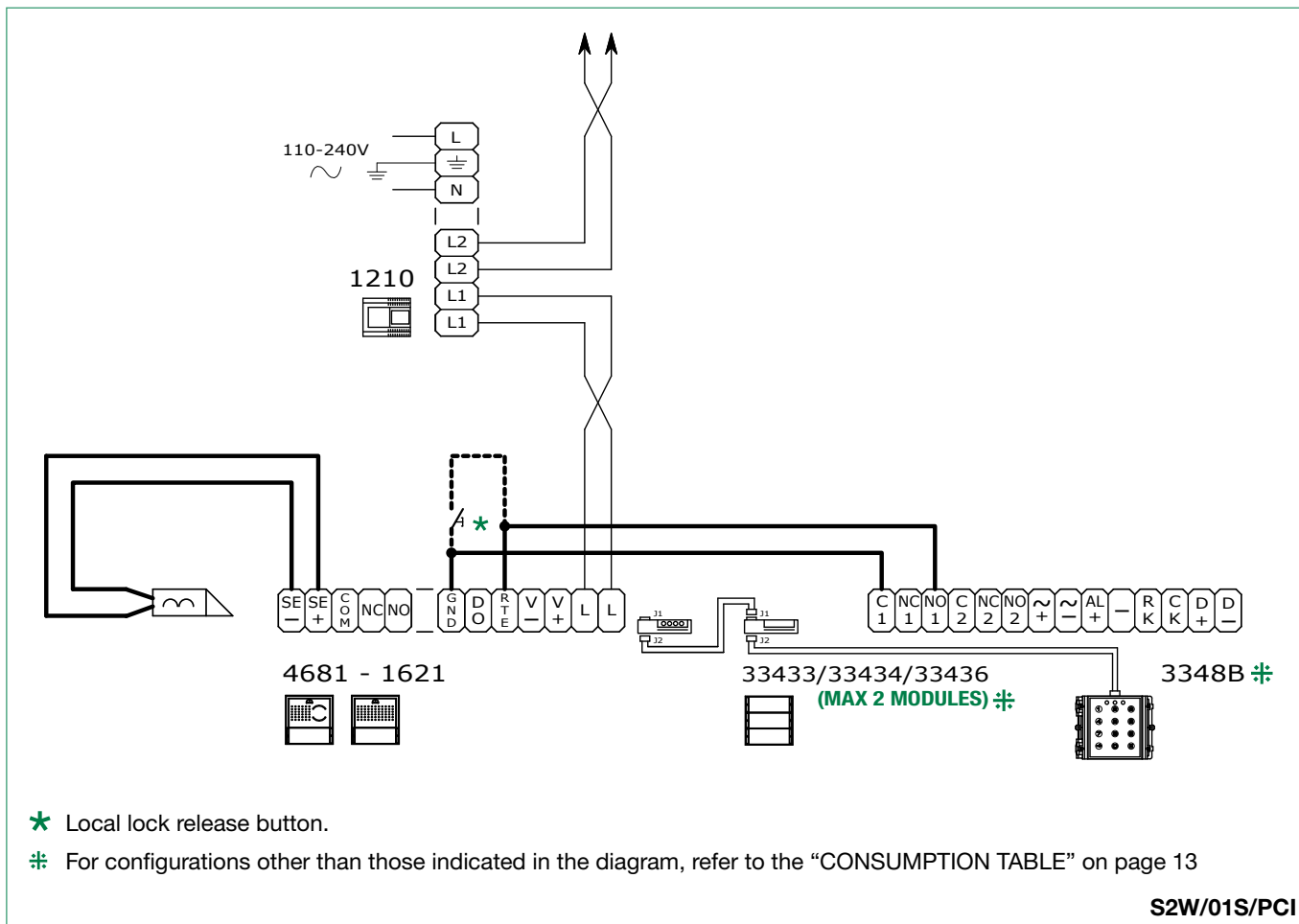
Wiring diagram for system with digital call module Art. 3360B



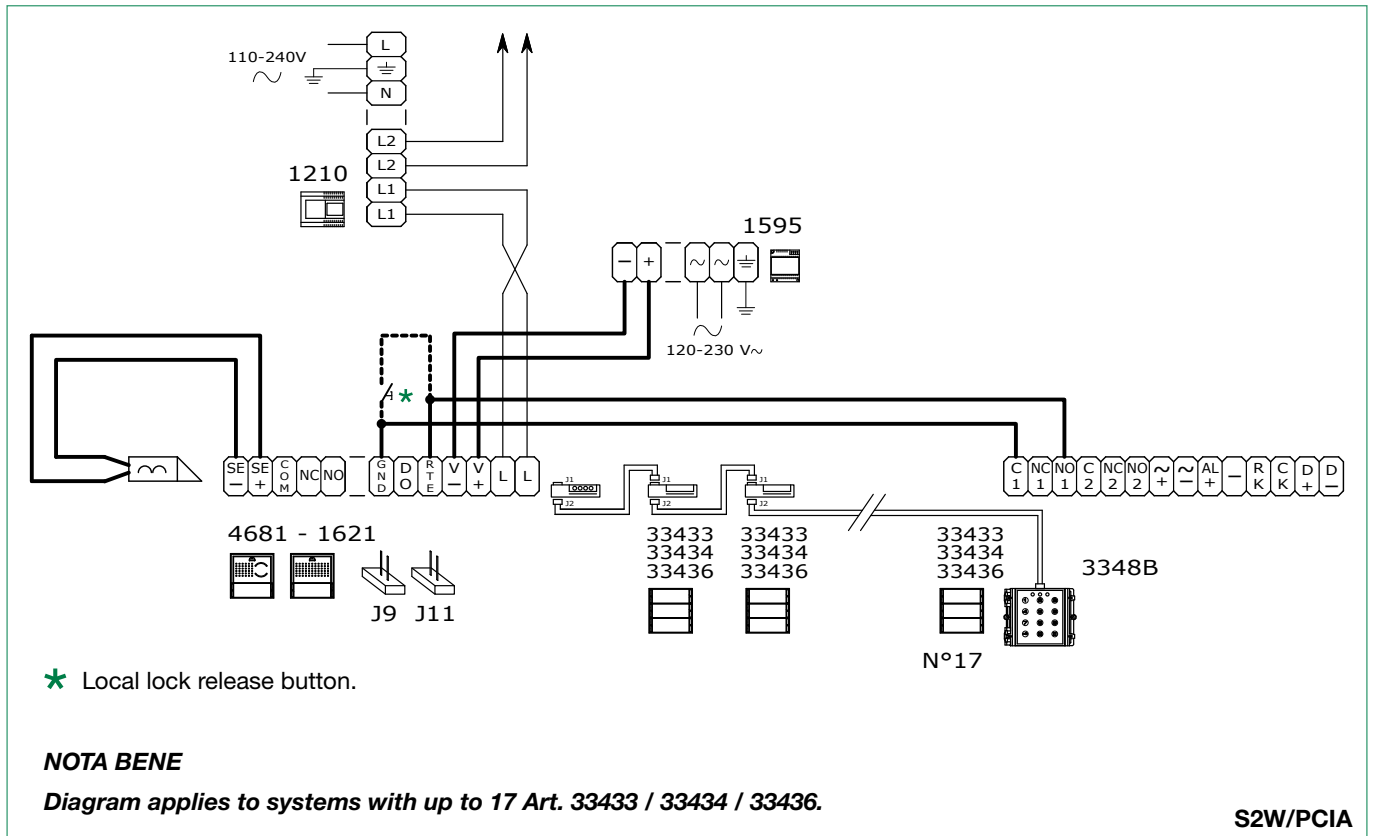
Wiring diagram for system with external unit Art. 300(1-12)XVB



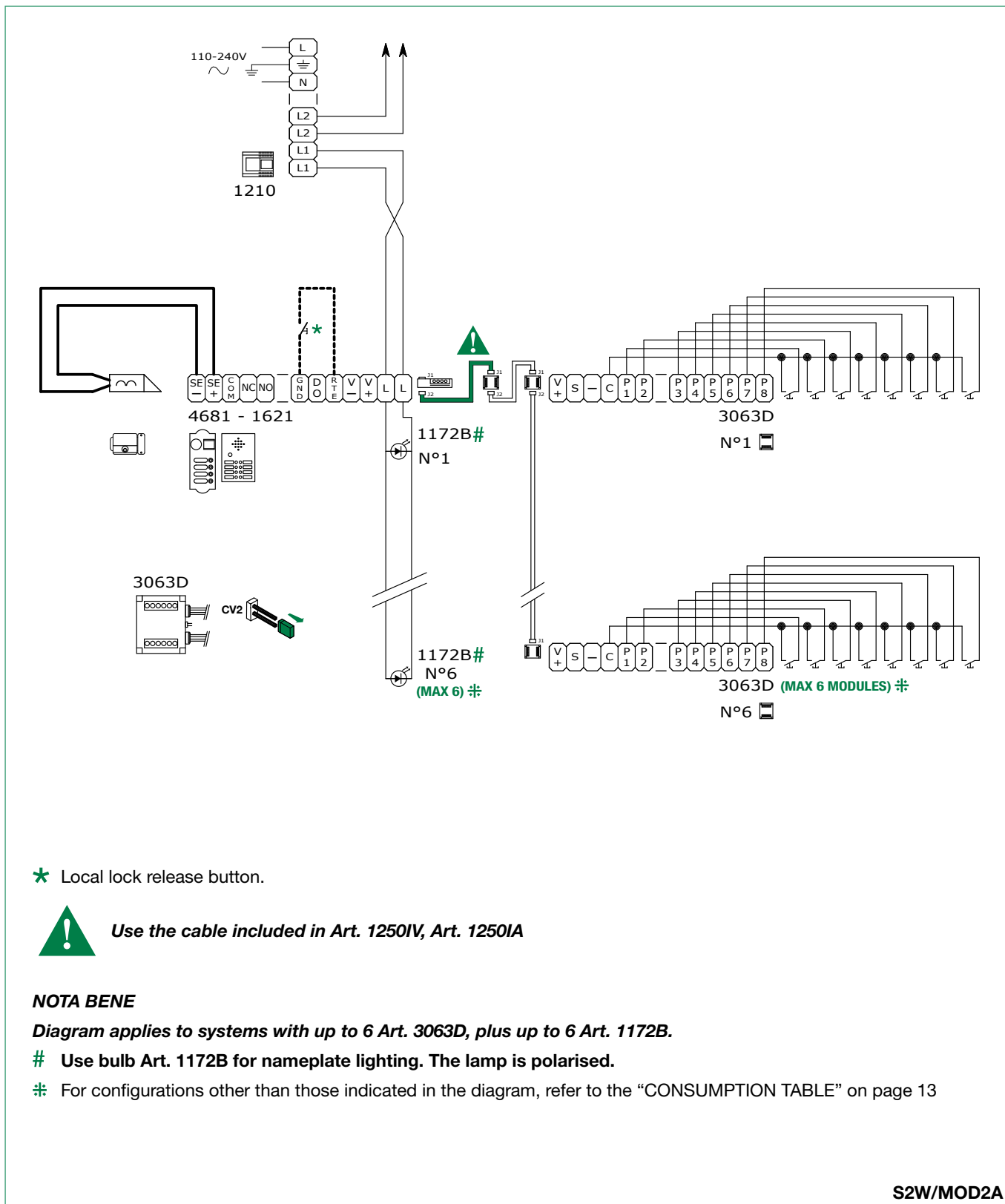
Wiring diagram for system with electronic digital key module Art. 3348B



Wiring diagram for system with electronic digital key module Art. 3348B and supplementary power supply unit Art. 1595 (for maximum number of expansion modules).



Wiring diagram for system with single-plate entrance panel Art. 3063D



★ Local lock release button.



Use the cable included in Art. 1250IV, Art. 1250IA

NOTA BENE

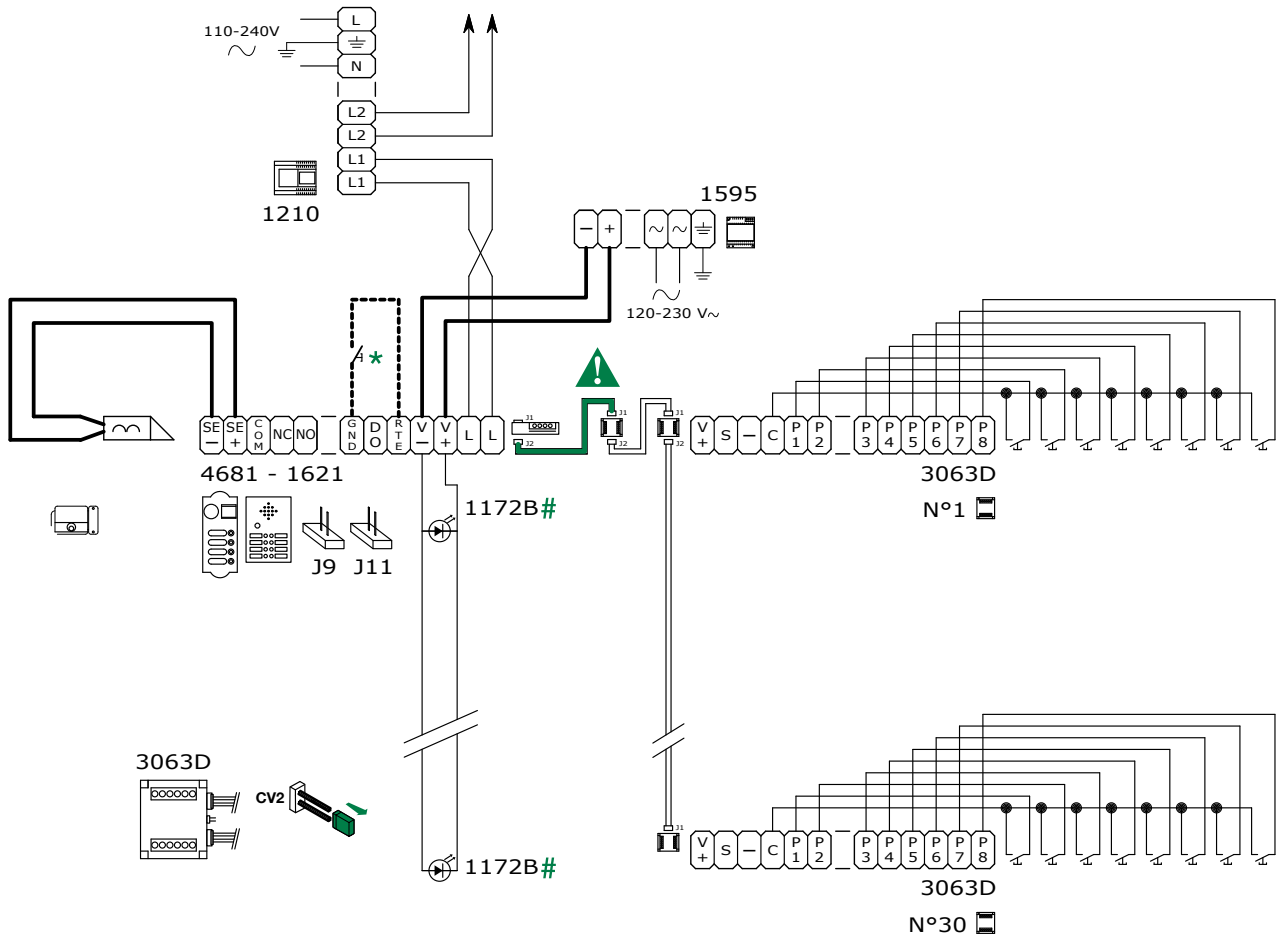
Diagram applies to systems with up to 6 Art. 3063D, plus up to 6 Art. 1172B.

Use bulb Art. 1172B for nameplate lighting. The lamp is polarised.

⚡ For configurations other than those indicated in the diagram, refer to the "CONSUMPTION TABLE" on page 13

S2W/MOD2A

Wiring diagram for system with single-plate entrance panel Art. 3063D with supplementary power supply unit Art. 1595 (for maximum number of expansion modules).



* Local lock release button.



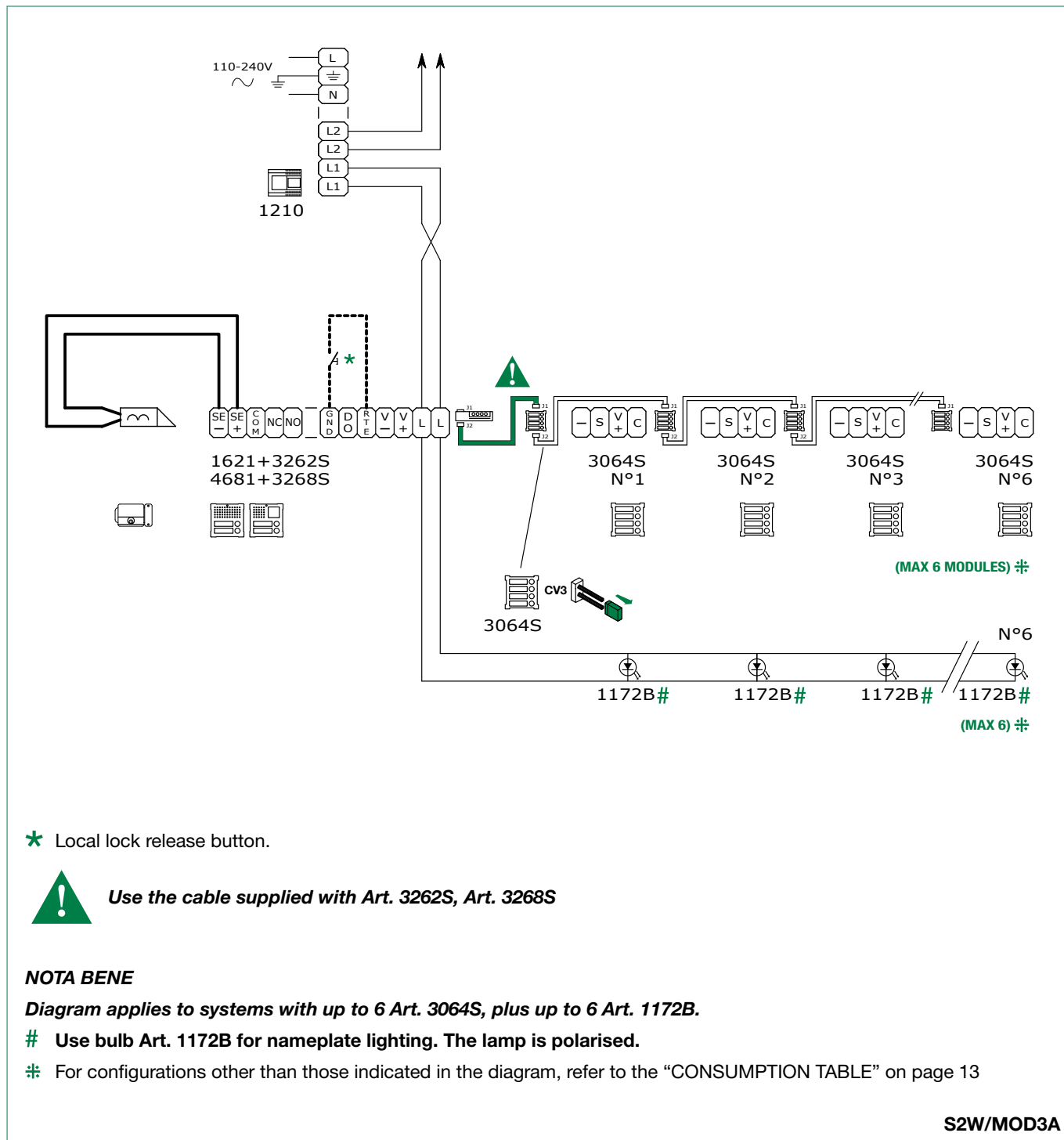
Use the cable included in Art. 1250IV, Art. 1250IA

NOTA BENE

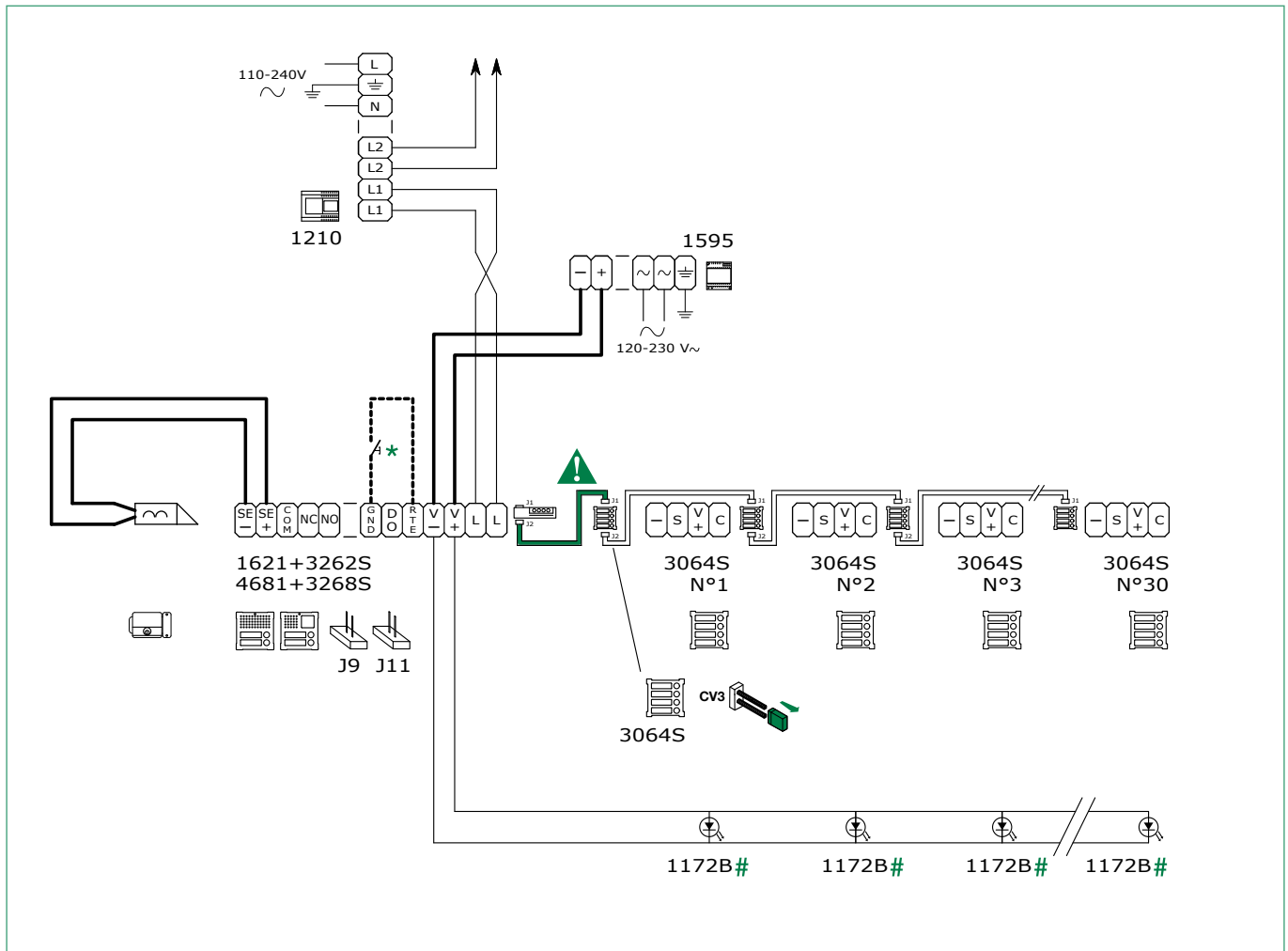
Diagram applies to systems with up to 30 Art. 3063D, plus up to 30 Art. 1172B.

Use bulb Art. 1172B for nameplate lighting. The lamp is polarised.

Wiring diagram for system with Vandalcom entrance panel and conventional button modules Art. 3064S



Wiring diagram for systems with Vandalcom entrance panel and conventional button modules Art. 3064S and supplementary power supply unit Art. 1595 (for maximum number of expansion modules).



* Local lock release button.



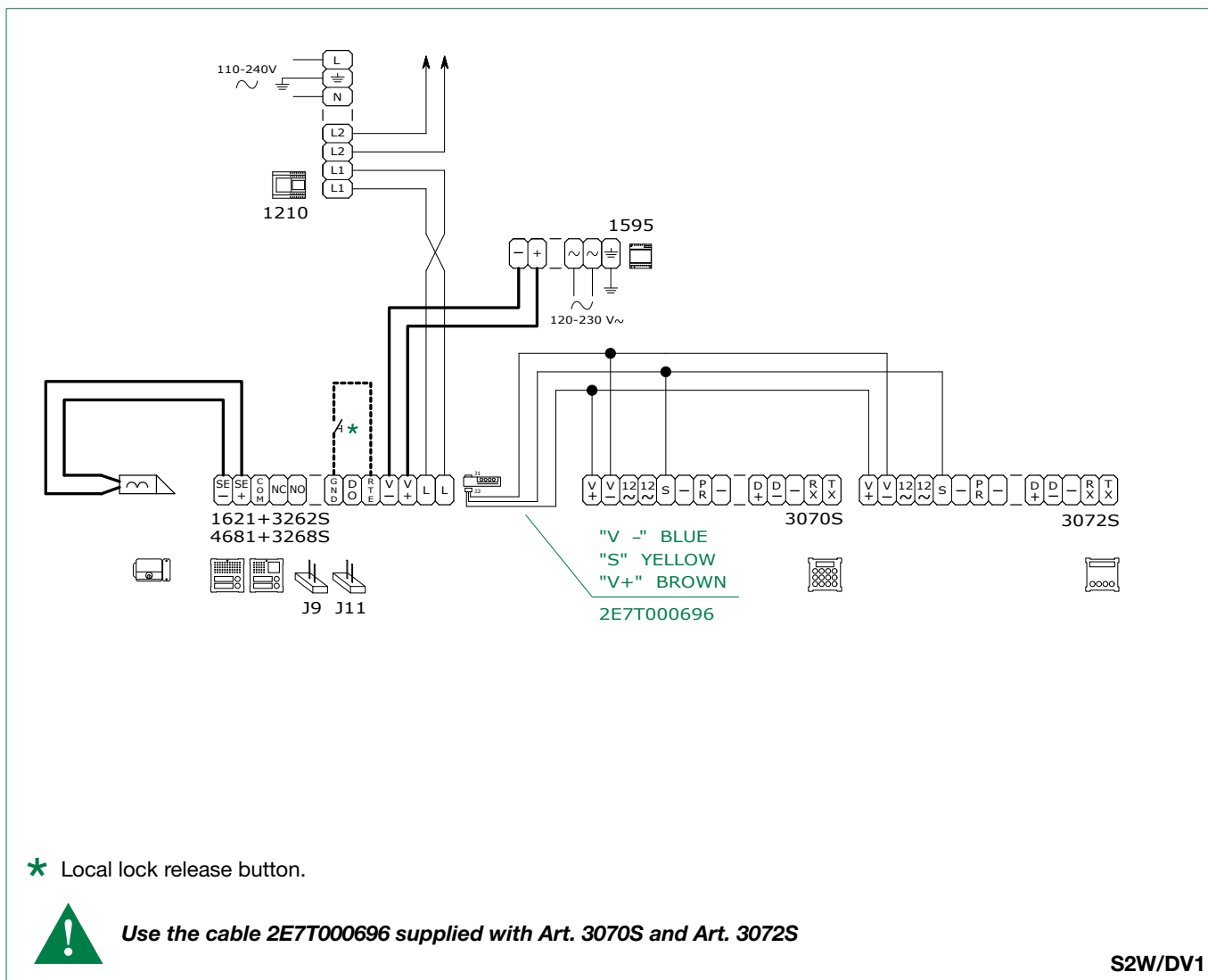
Use the cable supplied with Art. 3262S, Art. 3268S

NOTA BENE

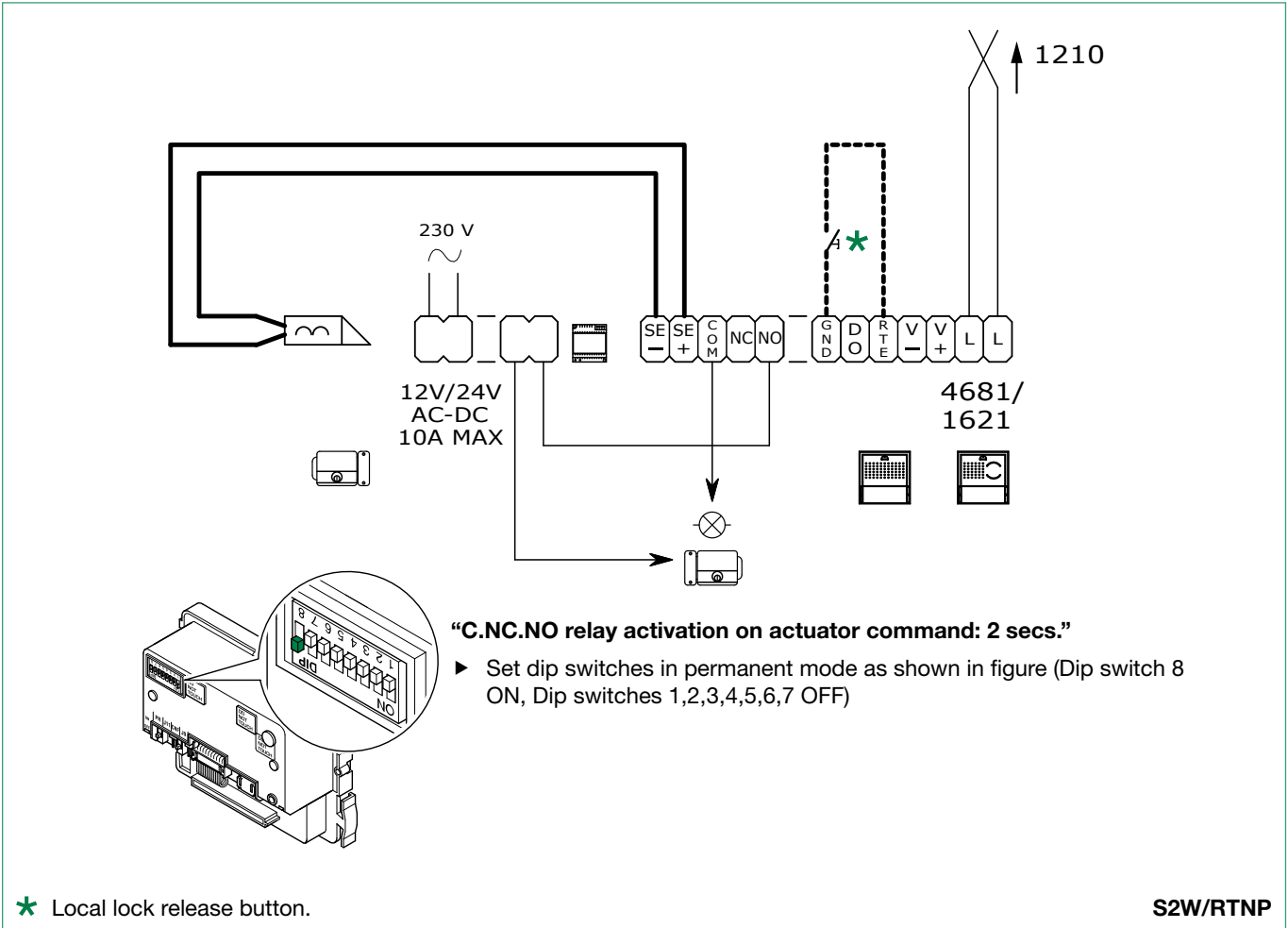
Diagram applies to systems with up to 30 Art. 3064S, plus up to 30 Art. 1172B.

Use bulb Art. 1172B for nameplate lighting. The lamp is polarised.

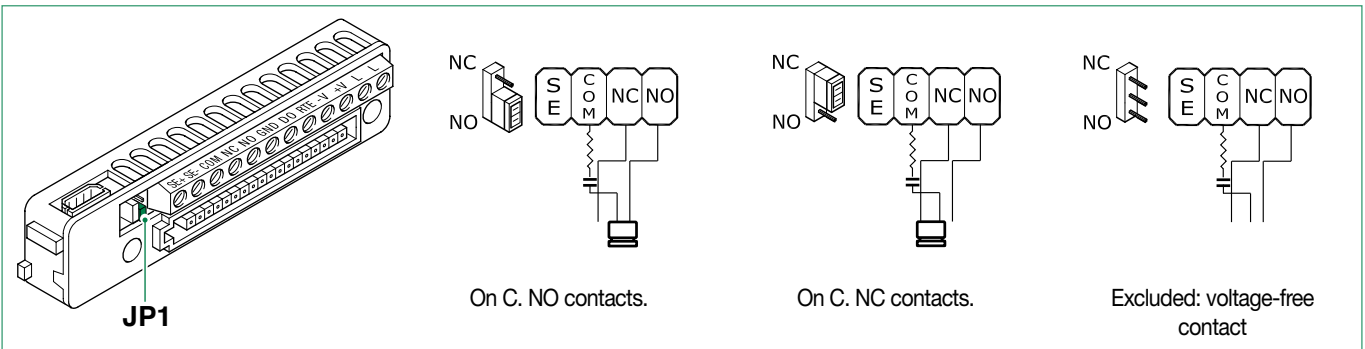
Wiring diagram for systems with digital call modules Art. 3070S and Art.3072S



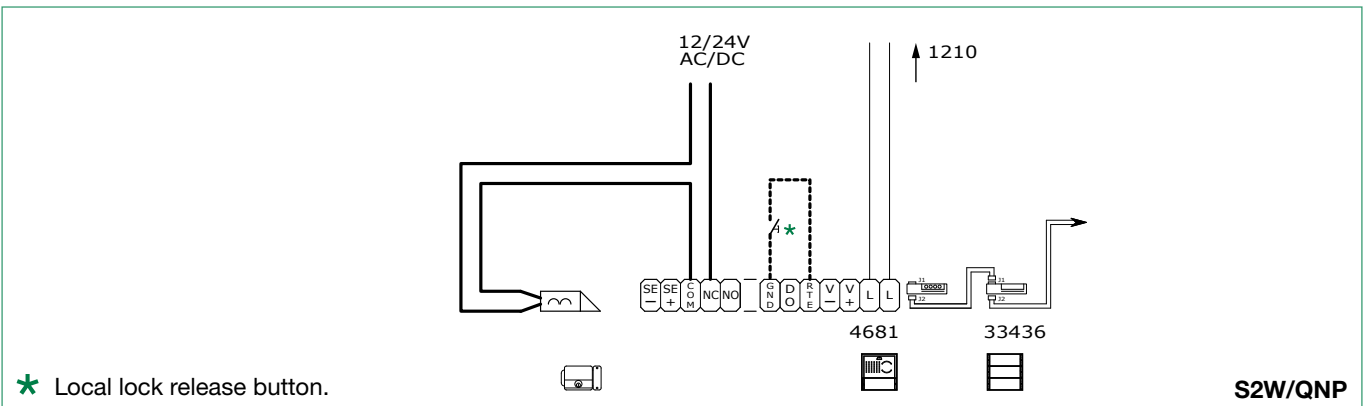
Use of external unit relay on lock release or actuator command

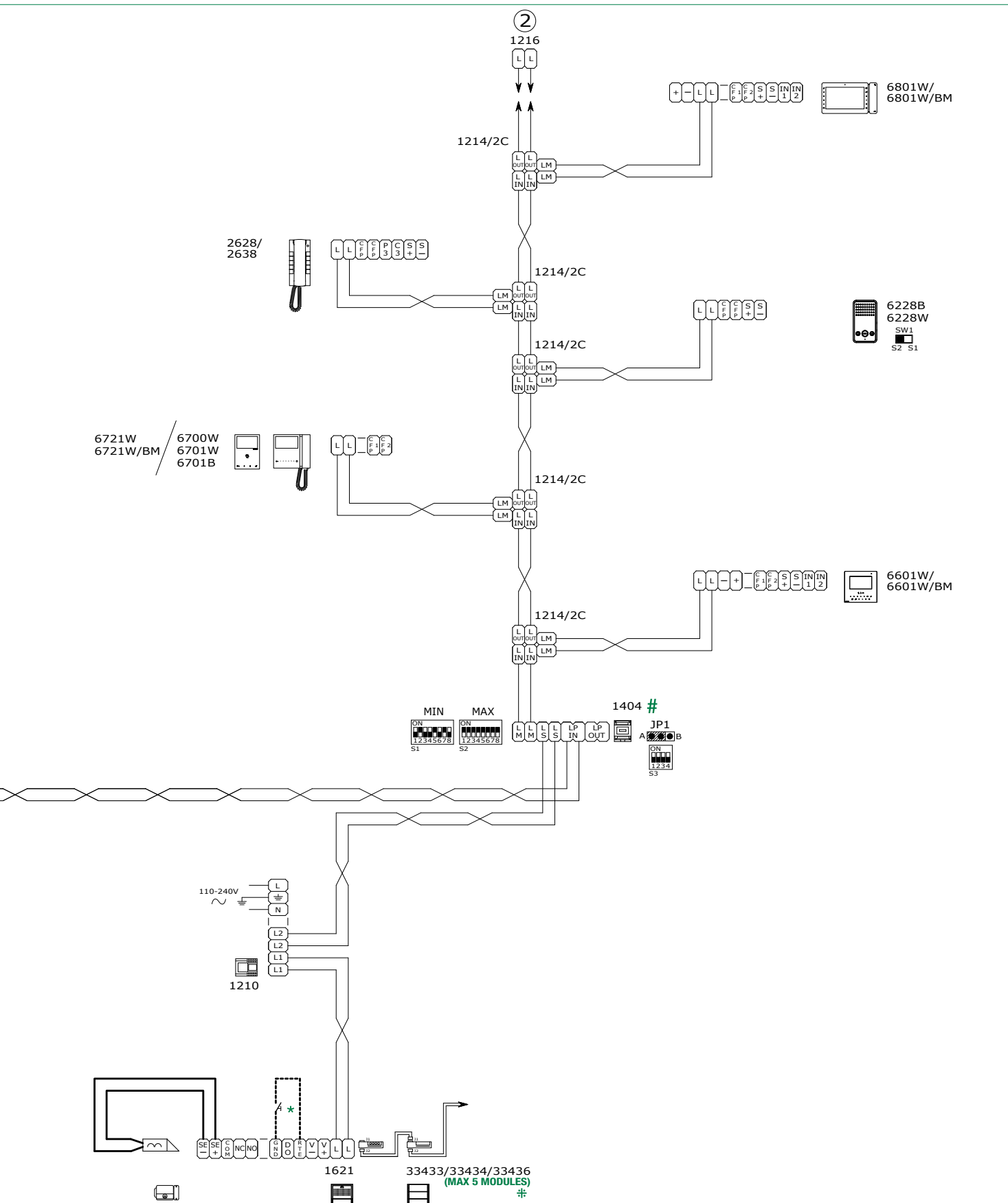


Use of RC network for lock filter on relay contacts



Wiring diagram with safety lock



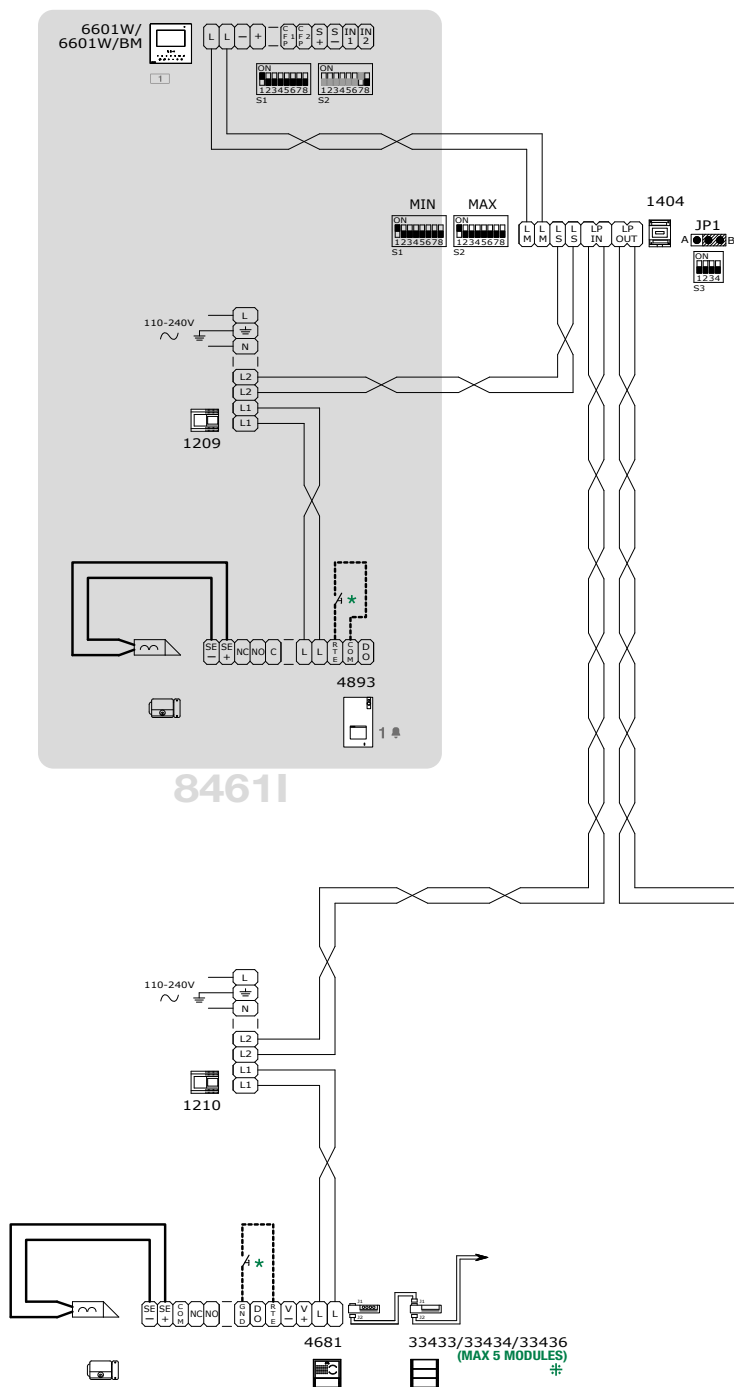


* Local lock release button.

WARNING! Separate switching devices must manage code ranges which are not overlapping.

For configurations other than those indicated in the diagram, refer to the "CONSUMPTION TABLE" on page 13

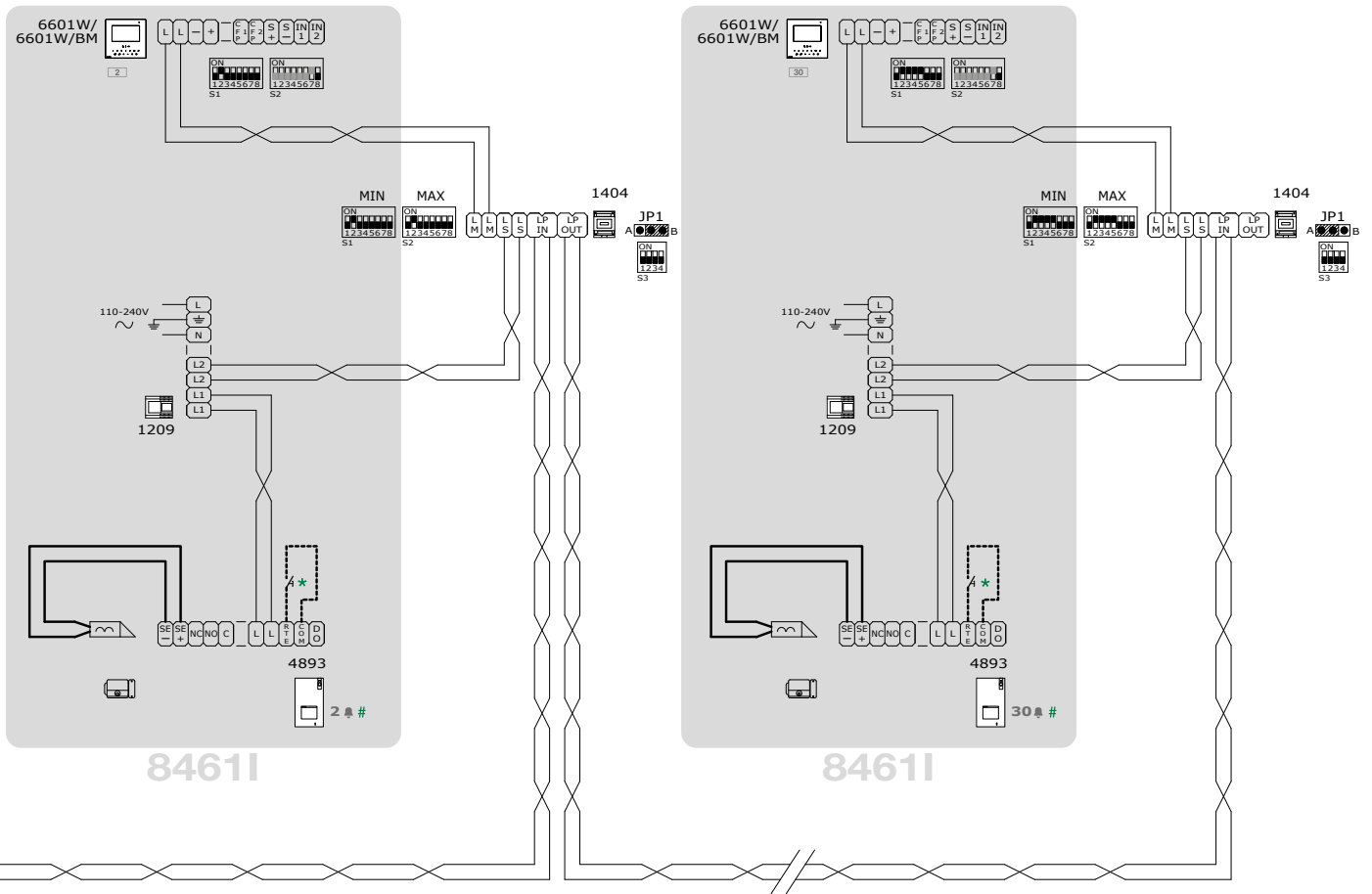
System with Art. 1210: switching devices in STANDARD mode and 8461 KIT in cascade



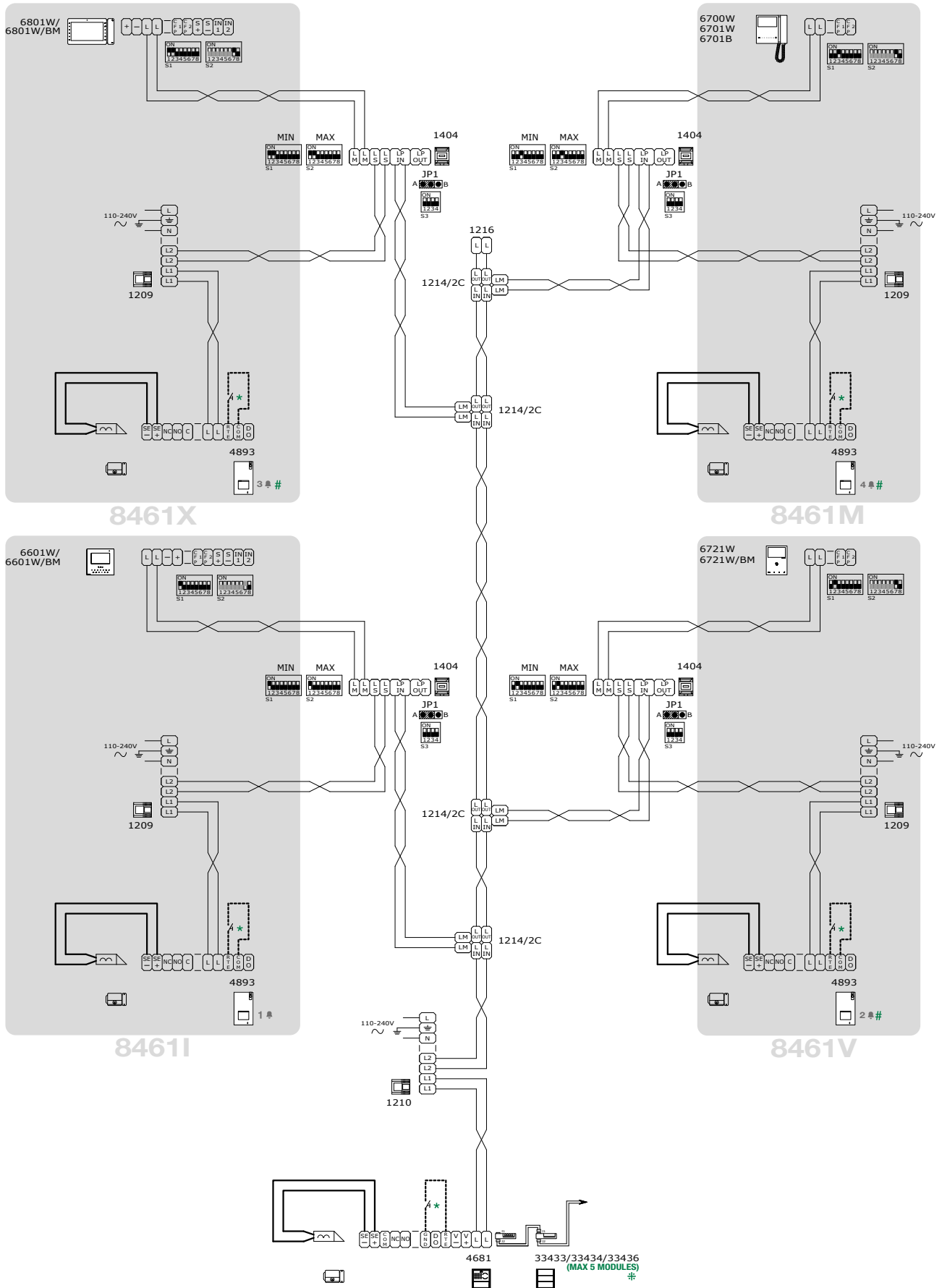
★ Local lock release button.

For call address programming, please refer to the full manual for Art. 4893

⚡ For configurations other than those indicated in the diagram, refer to the "CONSUMPTION TABLE" on page 13



System with Art. 1210: switching devices in STANDARD mode, branched 8461 KIT



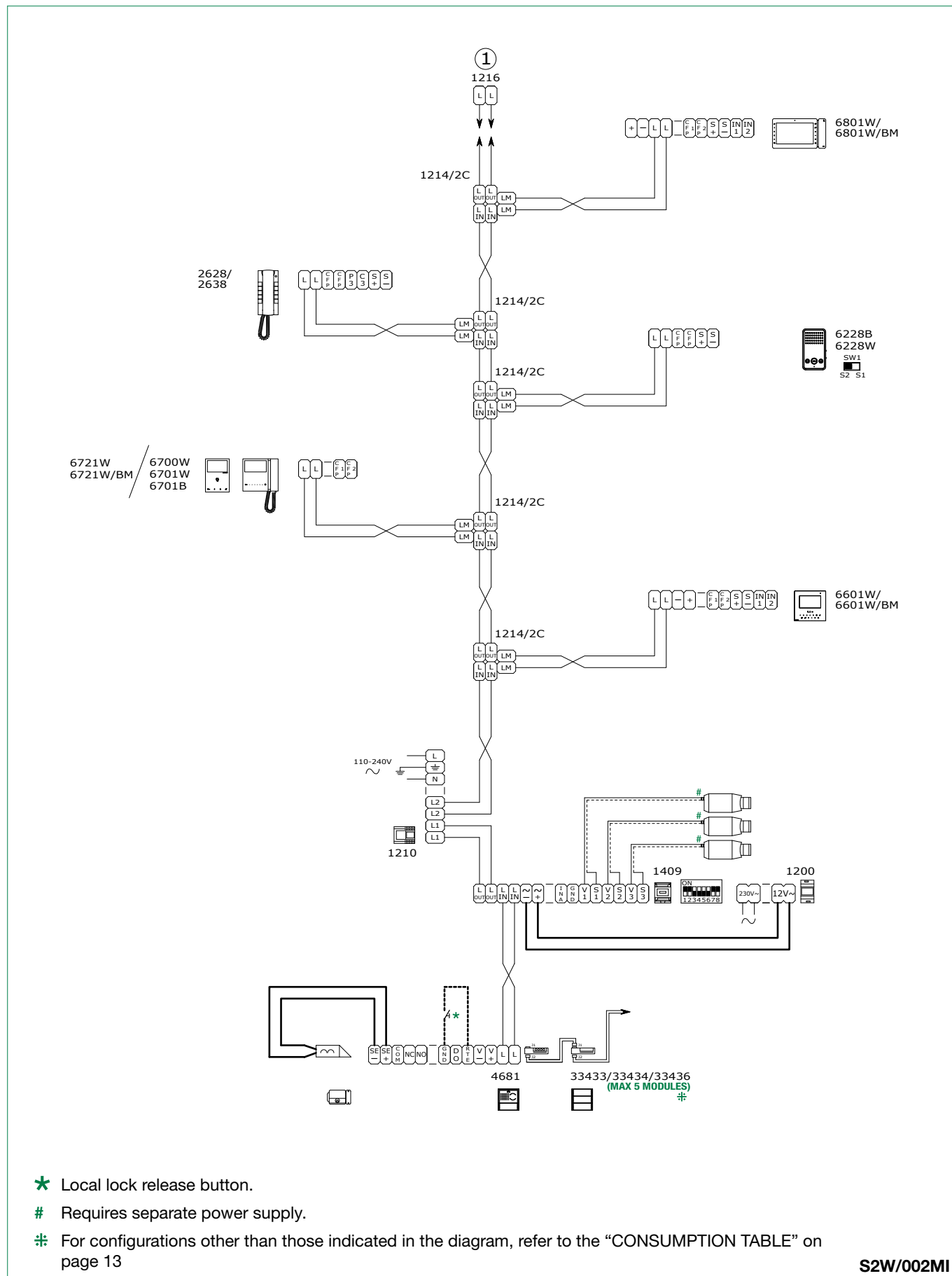
★ Local lock release button.

⚡ For configurations other than those indicated in the diagram, refer to the "CONSUMPTION TABLE" on page 13

For call address programming, please refer to the full manual for Art. 4893

Wiring diagram for systems with camera module Art. 1409

System Art. 1210: remote camera module Art. 1409 in generic actuator mode





www.comelitgroup.com

Via Don Arrigoni, 5 - 24020 Rovetta (BG) - Italy

