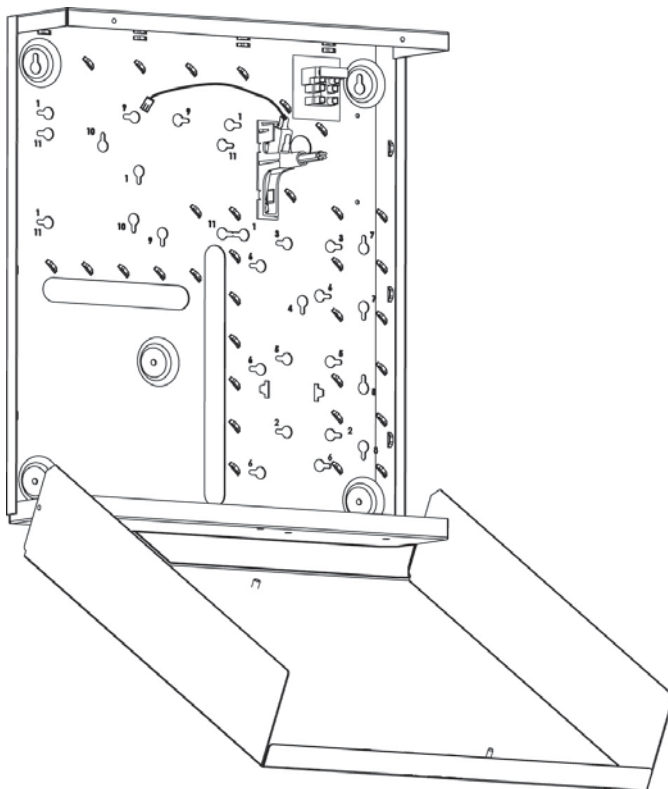


# LightSYS™

Flexible Hybrid System

## 432BM1 Metal Enclosure Assembly Guide For LightSYS

(42 cm x 37.85 cm x 9.5 cm)



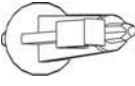
**RISCO**  
GROUP

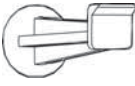
Creating Security Solutions.  
*With Care.*

riscogroup.com

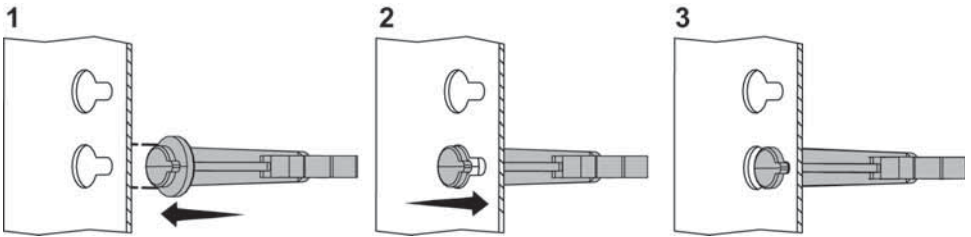


**Use the supplied spacers as follows:**

Spacers type A (x 4) 

Spacers type B (x 2) 

**Spacers assembly (A/B):**

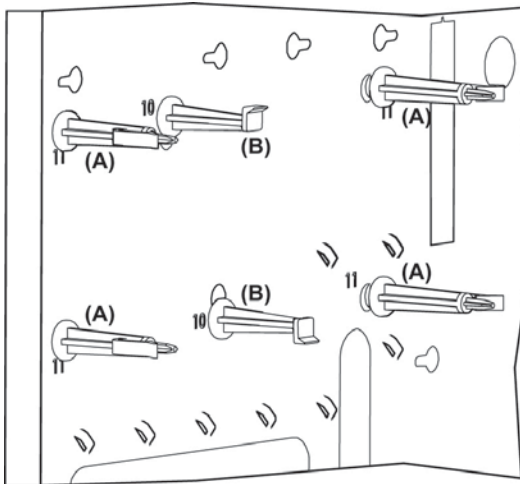


**Figure 1**

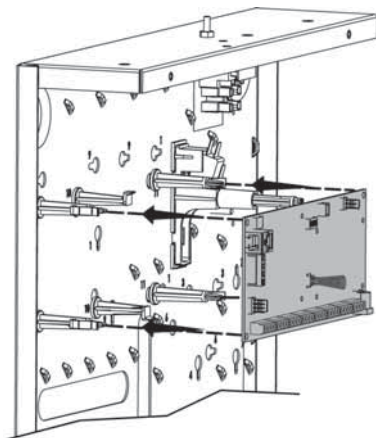
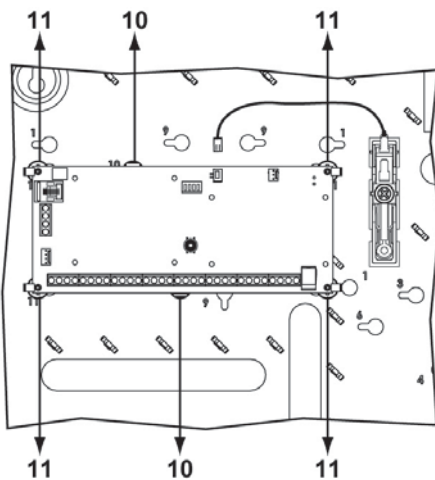
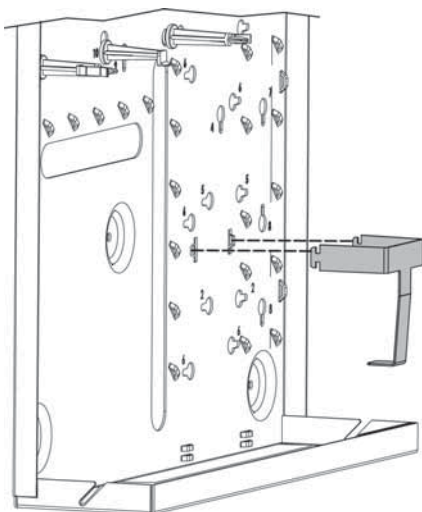
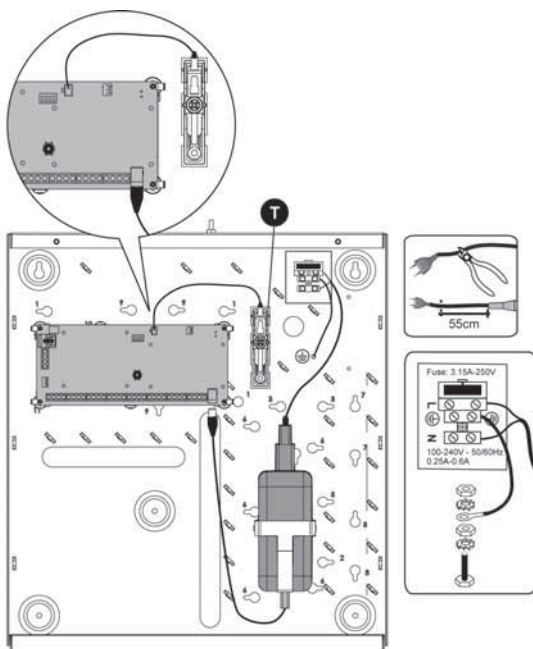
**Note:**

Insert the spacer in the suitable hole (1), notice that it fits firmly in place (2) and push aside to lock the spacer in its place (3).

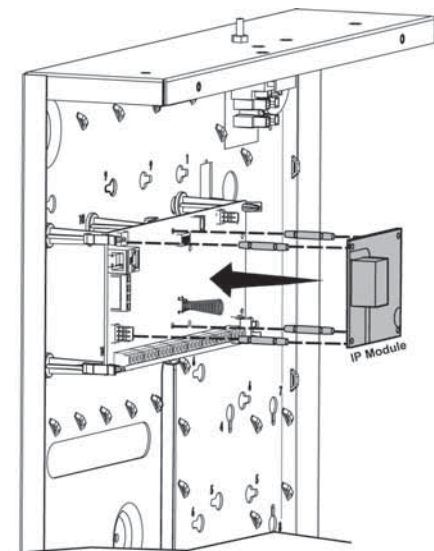
Pay attention! (Picture 1) The small bulge at the top of the spacer must be directed to the narrow opening.



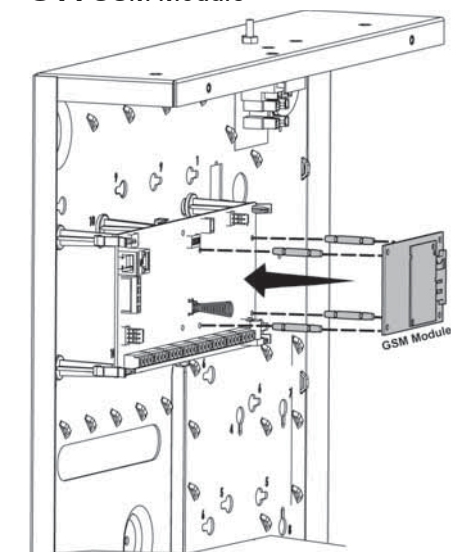
**Figure 2**

**1 A****1 B****2****3**

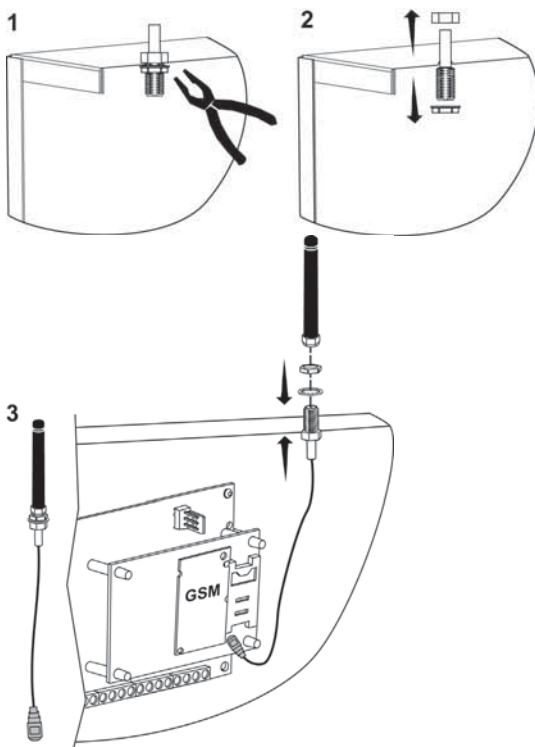
#### 4 IP Module



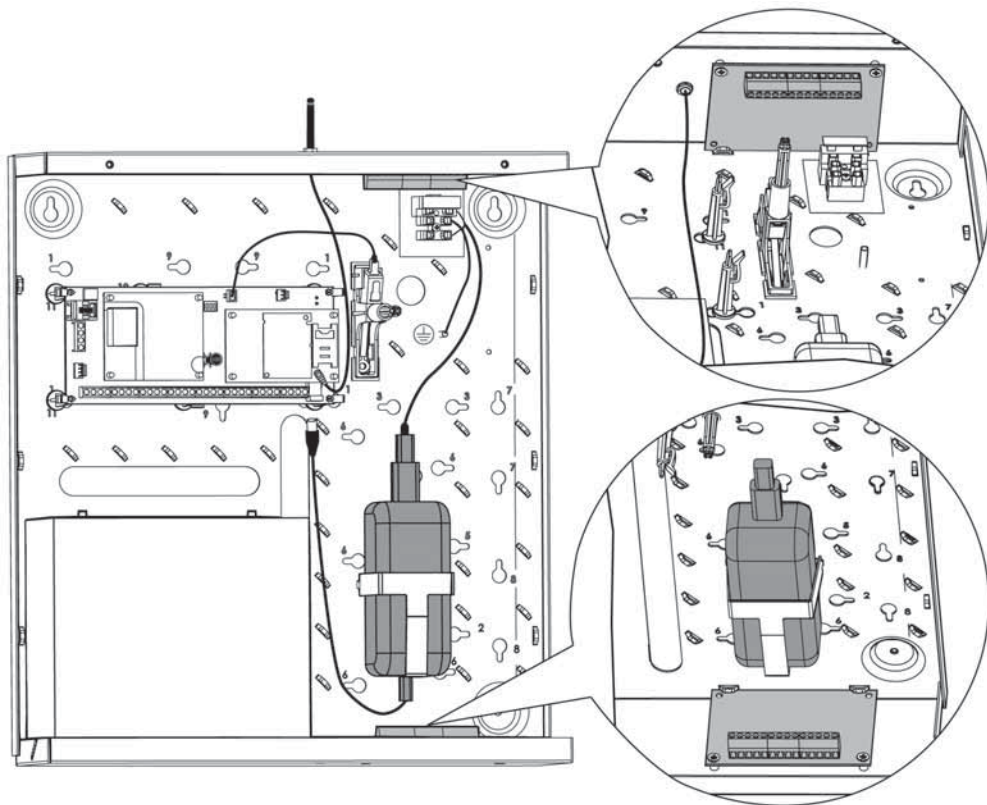
#### 5 A GSM Module



#### 5 B



## 6 Accessory\* mounting



### \* Optional accessories (10.5 cm x 6.6 cm x 1.8cm):

RP432EZ8: 8 zone expander

RP128EZB000B: BUS zone expander

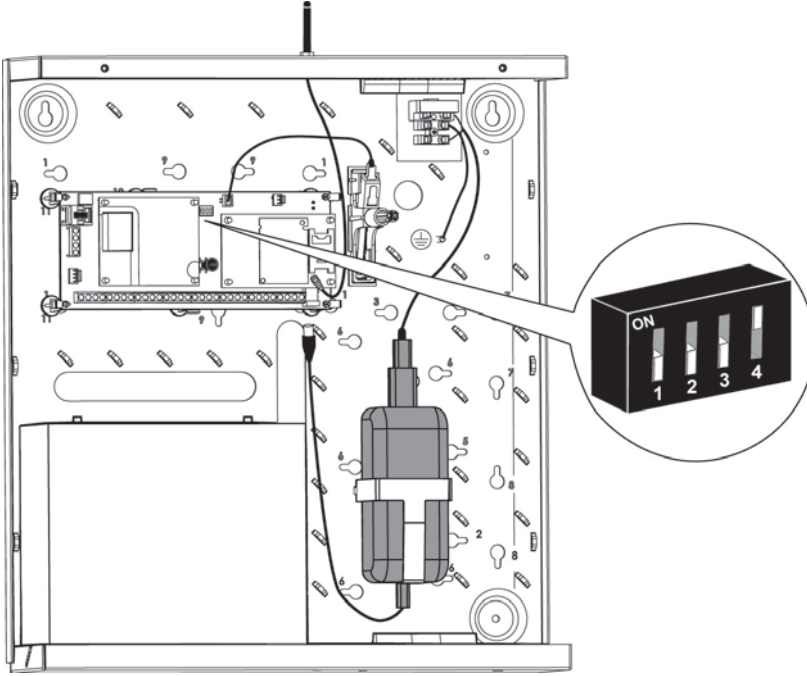
RP432EW8: Wireless receiver

RP432EV: Voice module

RP296E04: 4-Relay Output expander

RP296E08: 8 Open-Collector Output expander

## 8 Final assembly and Default Dipswitch



## Contacting RISCO Group

RISCO Group is committed to customer service and product support. You can contact us through our website [www.riscogroup.com](http://www.riscogroup.com) or as follows:

### United Kingdom

Tel: +44-(0)-161-655-5500  
[support-uk@riscogroup.com](mailto:support-uk@riscogroup.com)

### USA

Tel: +1-631-719-4400  
[support-usa@riscogroup.com](mailto:support-usa@riscogroup.com)

### China (Shanghai)

Tel: +86-21-52-39-0066  
[support-cn@riscogroup.com](mailto:support-cn@riscogroup.com)

### Italy

Tel: +39-02-66590054  
[support-it@riscogroup.com](mailto:support-it@riscogroup.com)

### Brazil

Tel: +55-11-3661-8767  
[support-br@riscogroup.com](mailto:support-br@riscogroup.com)

### China (Shenzhen)

Tel: +86-755-82789285  
[support-cn@riscogroup.com](mailto:support-cn@riscogroup.com)

### Spain

Tel: +34-91-490-2133  
[support-es@riscogroup.com](mailto:support-es@riscogroup.com)

### France

Tel: +33-164-73-28-50  
[support-fr@riscogroup.com](mailto:support-fr@riscogroup.com)

### Israel

Tel: +972-3-963-7777  
[support@riscogroup.com](mailto:support@riscogroup.com)

### Poland

Tel: +48-22-500-28-40  
[support-pl@riscogroup.com](mailto:support-pl@riscogroup.com)

### Belgium

Tel: +32-2522-7622  
[support-be@riscogroup.com](mailto:support-be@riscogroup.com)

RISCO product was purchased from

All rights reserved.

RISCO Group reserves the right to amend the software and features without prior notice. No part of this document may be reproduced in any form without prior written permission from the publisher.

