

ABT-S276/AB

EN 54-24

Ceiling-mounted AB Loudspeaker

- ✓ 6-watt transformer enabling precise handling of loudspeaker power
- ✓ Optimised level of speech intelligibility
- ✓ Operation of two A/B loudspeaker lines



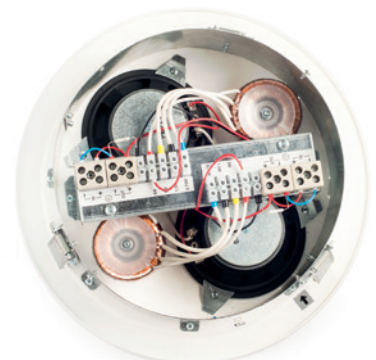
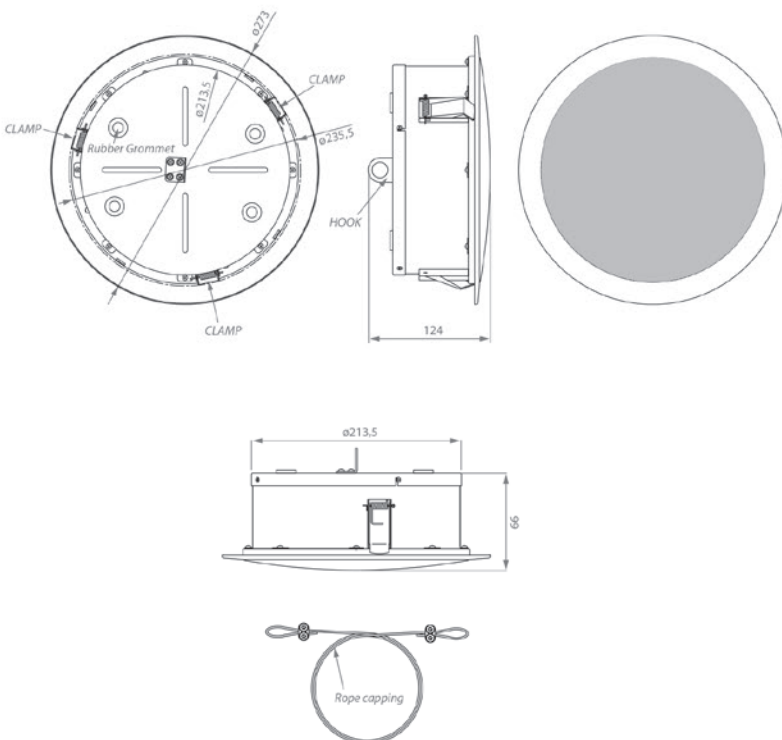
The ABT-S276/AB loudspeaker is equipped with two electroacoustic transducers of 6 W each. It can be attached to two A/B loudspeaker lines and all its elements are covered by the casing.

It has a fire dome casing equipped with culverts to feed in and out a cable with an appropriate diameter, with the smoke protection requirements being observed.

Terminal strips to connect the loudspeaker to loudspeaker lines are ceramic connection blocks preventing short circuit of loudspeaker line cables in case of a fire.

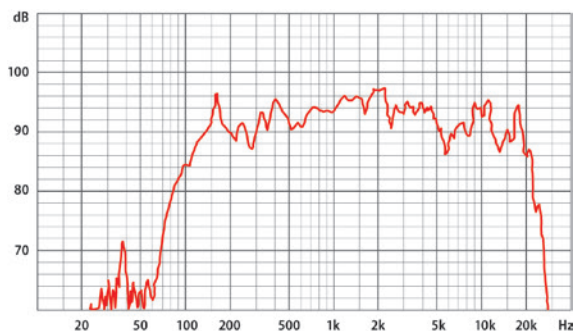
Thermal fuses separating a transformer under short circuit from a loudspeaker line are installed between ceramic connection blocks and loudspeaker transformers.

Two transformers with the power tapplings of 6 W / 3 W / 1,5 W / 0,75 W each, two sets of terminal strips as well as two thermal fuses are placed in the loudspeaker so that damage of a single loudspeaker line does not cause any loss of sound in a given zone.

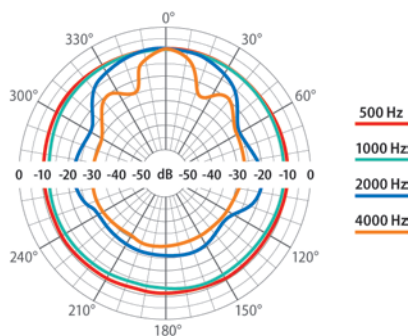


		ABT-S276/AB
Electrical		
Number of transducers		2
Rated power, W		2x 6
Tappings 100 V line, W		2x 6 / 3 / 1,5 / 0,75
Transformer Impedance, Ω 100V		2x 1667 / 3333 / 6666 / 13333
Driver impedance, Ω		8
Effective Frequency Range, Hz		100 – 20000
Sensitivity @ 4 m, 1 W, dB		85
SPL @ 4 m, Rated power, dB		91
SPL @ 1 m, 1 W, dB, Test Signal Bandwidth 300 Hz–6 kHz		101
SPL @ 1 m, Rated power, dB, Test Signal Bandwidth 300 Hz–6 kHz		94
Dispersion at 500 Hz / 1 kHz / 2 kHz / 4 kHz, [°]		180 / 175 / 162,5 / 90
Environmental		
		A / IP21C
IP Rating		32
Min / Max Amb Temp		-10°C / 55°C
Mechanical		
Dimensions, mm		Height 124 mm , \varnothing 273
Net Weight, kg		2,5 kg
Colour		White (RAL 9003)
Material		Steel
Mounting		Spring clamp
Option		
For DC line monitoring		Capacitor
Colour optional		RAL Palette
Ease Model		
		✓

Frequency band:



Circular chart of directional characteristic – horizontal:



Circular chart of directional characteristic – vertical:

