



# AWZ529 v.2.0 MP2 Relay module



Edition: 4 from 01.03.2018  
Supersedes the edition: 3 from 10.07.2013

EN

## 1. Intended use.

The MP2 (AWZ529) relay module is to be used in low-voltage installations. It is intended for controlling and status indication in e.g. alarm or access control systems. It may be used to control devices of high power consumption via OC outputs of alarm systems. Moreover, it ensures galvanic isolation of signals, power sources relating to the outputs of the module.

## 2. Installation.

The module is equipped with a plastic panel with self-adhesive tape that enables fixing it to a flat surface (side panel of an enclosure, a buffer PSU, etc.) and holes for bolting the panel to the mounting surface.

## 3. Description of the module.

### 3.1 Components.

1 – LED (indicates relay's operations)
2 – relay
3 – module terminals

### 3.2 Connectors.

-I+ inputs of the voltage that control the relay
C1, C2 – common terminal of the relay
NO1, NO2 – normally open relay's contact
NC1, NC2 – normally closed relay's contact

## 4. Specifications.

Voltage of the relay's coil	10÷14V DC (-/+5%),
Current of the relay's coil	37mA@12VDC
Number of relays	2
Voltage of the relay's contacts	30VDC / 50VAC max.
Current of the relay's contacts	2A max.
Contacts of relay	C/NC/NO (leads $\Phi$ 2.05 mm: AWG 24-12)
ON/OFF time	15ms/8ms (-/+5%)
Operating conditions	2nd environmental class, -10°C+ 40°C
Enclosure	open-frame design, IP00
Dimensions	L=70, W=43, H=22 [mm, +/-2]
Net/gross weight	0,04 / 0,06 [kg]
Installation	installation tape or installation bolt x2
Declarations, warranty	CE, 2 year from the production date
Notes	leads on connections: $\varnothing$ 0,41÷1,63 (AWG 26-14), $\varnothing$ 0,51÷2,05 (AWG 24-12) - relay contacts

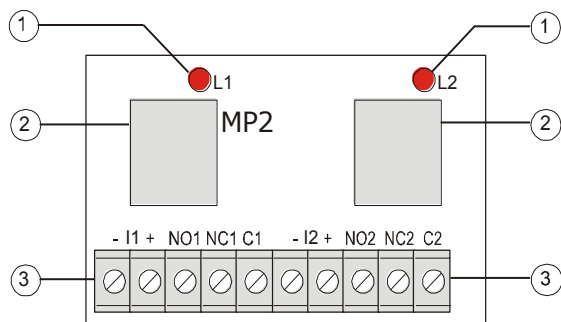
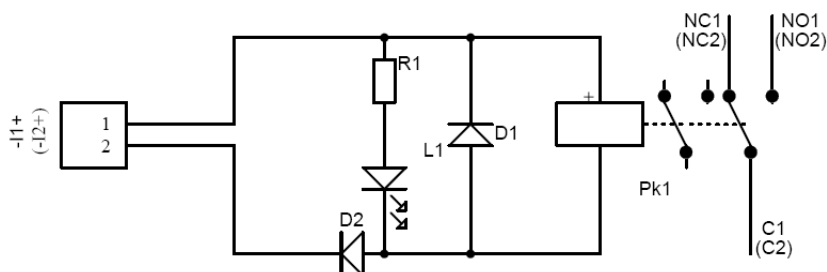


Fig. 1. General view of the module.

## 5. Electrical diagram.



### WEEE PARKING

According to the EU WEE Directive – It is required not to dispose of electric or electronic waste as unsorted municipal waste and to collect such WEEE separately.

### Pulsar

Siedlec 150, 32-744 Łapczyca, Poland  
Tel. (+48) 14-610-19-40, Fax. (+48) 14-610-19-50  
e-mail: [biuro@pulsar.pl](mailto:biuro@pulsar.pl), [sales@pulsar.pl](mailto:sales@pulsar.pl)  
http:// [www.pulsar.pl](http://www.pulsar.pl), [www.zasilacze.pl](http://www.zasilacze.pl)