

DS-2CD7353F-E(I)

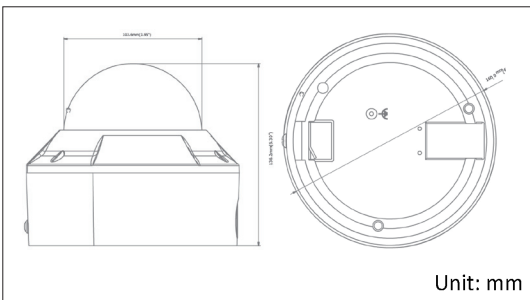
2 MP Outdoor Network Camera



Key features

- 2 megapixel high resolution
- HD video output
- 1/3" progressive scan CMOS
- Day / night auto switch
- Vandal-proof housing
- IP66 rating
- IR LEDs optional

Dimensions



DS-2CD7353F-E(I)	
Camera	
Image sensor	1/3" Progressive Scan CMOS
Min. illumination	0.5 lux @F1.2, AGC ON 0.1 lux @F1.2, AGC ON, sens-up x 5 -I: 0 lux with IR
Shutter time	1/25s ~ 1/100,000s
Lens	2.7 ~ 9 mm @F1.2, angle of view: 101° ~ 30.4°
Lens mount	Φ14
Auto iris	DC drive
Angle Adjustment	Pan: 0 ~ 355°, Tilt: 0 ~ 75°, Rotation: 0 ~ 355°
Day & Night	Electronic (-I: IR cut filter with auto switch)
Compression Standard	
Video compression	H.264 / MPEG4 / MJPEG
Bit rate	32 Kbps ~ 16 Mbps
Dual stream	Yes
Image	
Max. Resolution	1600×1200
Frame rate	50Hz: 12.5fps (1600×1200), 12.5fps (1600×912), 25fps (1280×960), 25fps (1280×720) 60Hz: 15fps (1600×1200), 15fps (1600×912), 25fps (1280×960), 30fps (1280×720)
Image settings	Saturation, Brightness, Contrast adjustable by client software or web browser
Network	
Network storage	NAS (iSCSI optional)
Alarm trigger	Motion detection, tampering alarm, network disconnect, IP address conflict, storage exception
Protocols	TCP/IP, HTTP, DHCP, DNS, DDNS, RTP/RTSP, PPPoE, SMTP, NTP, SNMP, HTTPS, FTP, 802.1x, Qos (SIP, SRTP, IPv6 optional)
Security	User authentication, watermark
System compatibility	ONVIF, PSIA, CGI
Interface	
Communication interface	1 RJ45 10 M / 100 M Ethernet interface
Video output	1 Vp-p composite output (75 Ω/RCA)
On-board storage	Built-in Micro SD card slot, up to 32 GB
Reset button	Yes
General	
Operating conditions	-10 °C ~ 60 °C (14 °F ~ 140 °F), humidity 90% or less (non-condensing)
Power supply	24 VAC ± 10%, PoE (802.3af)
Power consumption	4.5W ~ 9.5W (IR LEDs: + 2W)
Impact protection	IEC60068-2-75Eh, 50J; EN50102, up to IK10
Ingress protection level	IP66
IR range	-I: approx. 10 ~ 20m
Dimensions	Φ160 × 134.5 mm (Φ6.30" × 5.30")
Weight	1400 g (3.09 lbs)

Available models

DS-2CD7353F-E, DS-2CD7353F-EI

* -I: IR LEDs, up to 20m

* Product picture and technical specs subject to change without previous notice. For further information, please contact our local sales representatives.