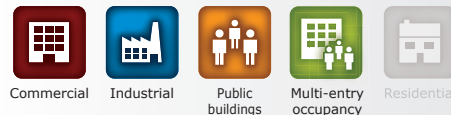


BO600RP

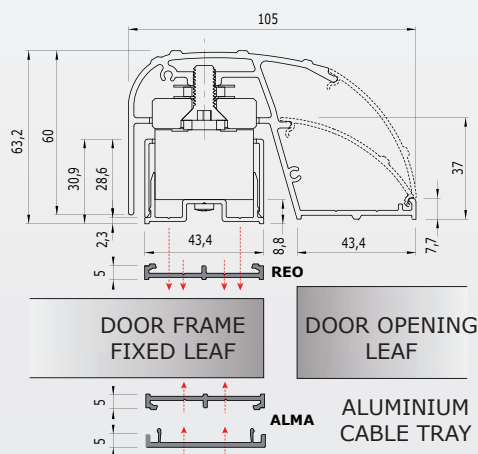
Retrofit housing (2 x 300 kg)

CDVI Group Company

BO600RP Vertical Retrofit housings (2 x 300 kg)



BO600RP



- **Surface Mount.**
- **Easy installation.**
- **SAA finish (Satin Anodised Aluminium).**
- **Available in versions:**
Standard, Hermetic and with handle.
- **Aesthetic.**
- **Suitable for metal, wood and glass door.**
- **Ideal for retrofit applications.**
- **Pre-drilled mounting holes.**
- **EM-Locks supplied with terminal blocks.**
- **Groove at the back of the magnet housing for cable management.**
- **Magnet housing supplied with cover.**
- **Options:**
 - Aluminium rail spacer.
 - Aluminium cable tray.
 - Installation on glass door (UBK25).
 - RAL colour.
 - Cut to size.

- Holding force: 2 x 300 kg,
- Dimensions (L x W x D):
 - BO600RPSTD = 2190 x 105 x 63,2mm,
 - BO600RP = 2500 x 105 x 63,2mm.
- Magnet housing for frame mount.
- Armature housing with end caps for door mount.
- Input voltage: 12/24/48V dc.
- Consumption:
 - 12 V DC = 550mA (per magnet),
 - 24 V DC = 275mA (per magnet).
 - 48 V DC = 275mA (two magnets).

RoHS

WEEE

-20°C to +70°C

CE Certification

Recommended power supplies



PATENTED, BREVETÉ

* Refer to Limited Lifetime Warranty.

Reference: H02040118. All the information contained within this document (photos, drawing, features, specifications and dimensions) could be perceptibly different and can be changed without prior notice.