

CHX - CHXS

Stainless Steel Camera Housing

CHX and CHXS Stainless Steel Camera Housing

Stainless Steel housing AISI316L,
Heater with thermostat, Wall mount
bracket



DEVELOPED FOR AGGRESSIVE ENVIRONMENTS

Entirely made of AISI316L Stainless Steel

SUITABLE FOR HARSH WEATHER CONDITIONS

IP68 at 100 meters depth

ADAPTORS AVAILABLE FOR ANY KIND OF INSTALLATION

Wall, ceiling, pole and corner mount adapters



tekno system[®]
Italian design for CCTV since 1979

Tekno System S.p.A.
Via Rostoncello, 1 - 36010 Carrè - Italy
Phone: +39 0445 314324 | Fax: +39 0445 314319
Email: info@teknosystem.eu | Web: www.teknosystem.eu

rev. 290710

Page 1 / 4






TECHNOLOGY HIGHLIGHTS

<ul style="list-style-type: none"> - IP68 at 100 meters depth (CHXS) - IP68 at 50 meters depth (CHX) - Stainless steel AISI 316L 	Resourceful engineering design and high standard materials guarantee the total protection of the camera in the harshest environmental conditions.
---	---




MODELS

ORDER CODE	IP Rate	Vandal proof glass	Tempered glass
CHXS	IP68 at 100m		●
CHX	IP68 at 50m	●	

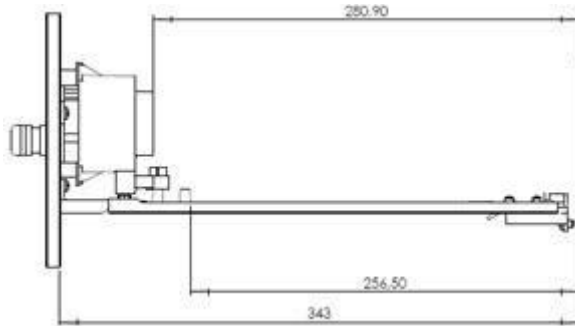
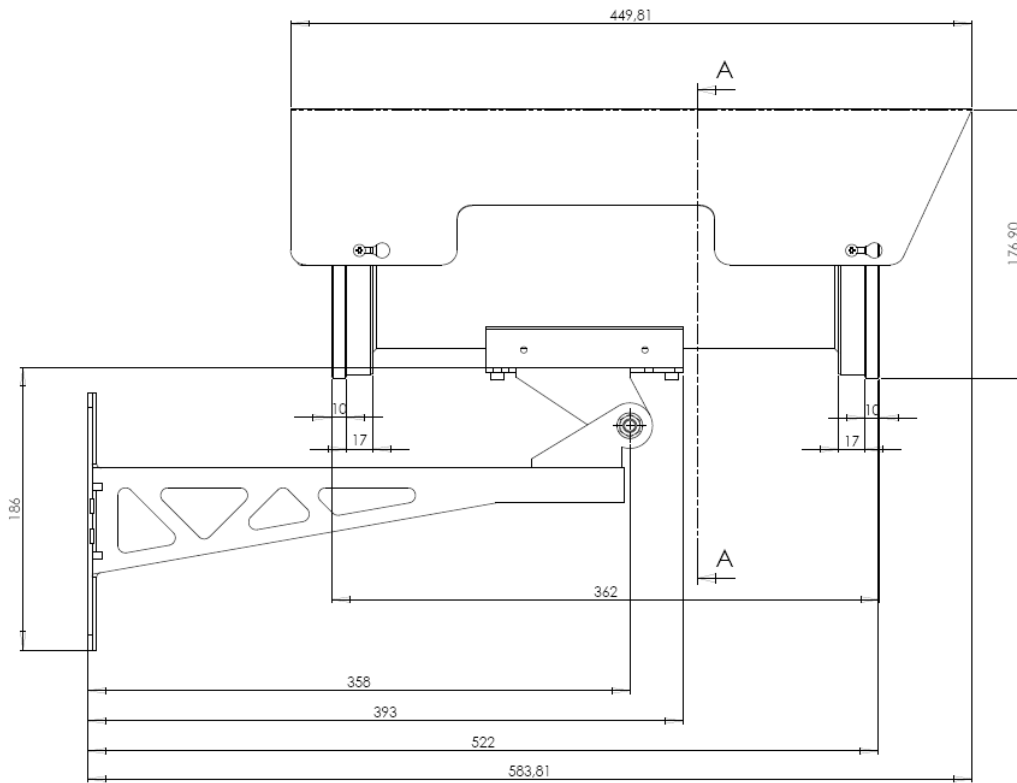
ACCESSORIES

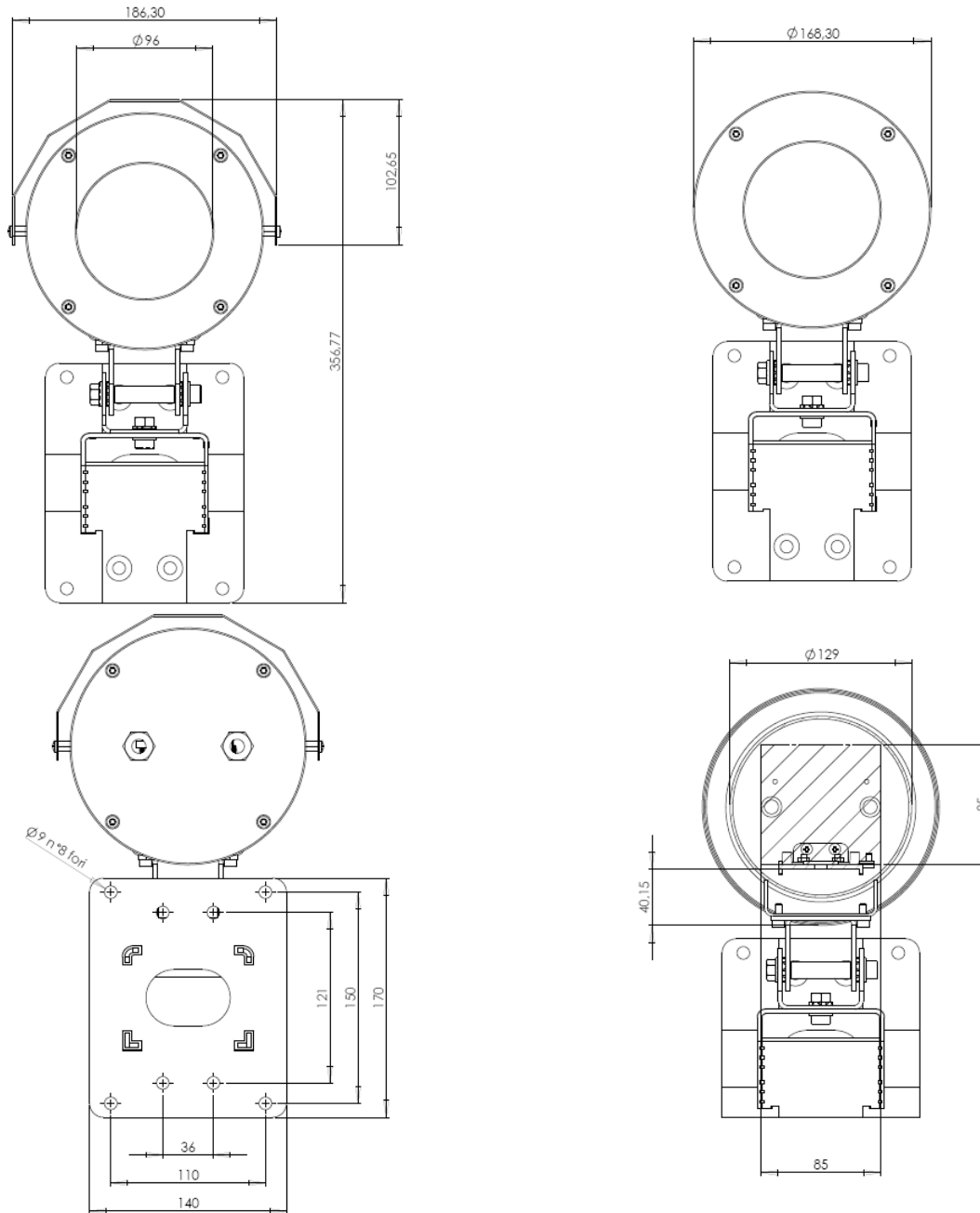
HT	Heater with thermostat	
EL	Camera height adjustment kit	
ALX	Camera power supply (12V or 24V~)	
SSX	Sunshield	
BWX	Wall bracket with swivel	

RELATED PRODUCTS

PAX	Stainless Steel Pole Adapter	
CMX	Stainless Steel Corner Mount Adapter	
CBX	Ceiling Mount Adapter	







SPECIFICATIONS

General

Construction : Stainless steel AISI 316L
Window glass : 5 mm Tempered (CHXS);
 10 mm Vandal-proof (CHX);

Mechanical

Dimensions : Refer to technical drawings
Cable entry : No. 2 metal cable glands
 M16x1,5
Weight of the housing : 8,00 Kg (CHX, CHXS);
Weight of the accessories : 0,95 Kg (SSX sunshield);
 2,90 Kg (BWX wall bracket)

Electrical

Heater Thermostat: Ton 15°C (59°F) ± 5°C Toff 22°C (71.6°F) ± 4°C
Heater PTC (HT230): 100-240V~ 40W
Heater PTC (HT12-24): 12-24V~ 20W
Camera power supply unit (AL):
 Vin 230V~ 50Hz Vout 12VDC 400mA;
 Vin 230V~ 50Hz Vout 24V~ 400mA;

Environment

Indoor / Outdoor applications
Weatherproof rating
 (according to EN60529) : IP 68, 50m (CHX);
 IP 68, 100m (CHXS);
Temperature range with heater: -20°C (-4°F) up to +50°C (+122°F)
 (CHX, CHXS);
CE according to EN61000-6-3, EN60950, EN50130-4
RoHS compliant

Technical data and product features might be modified without any warning.



tekno system[®]
 Italian design for CCTV since 1979

Tekno System S.p.A.
 Via Rostoncello, 1 - 36010 Carrè - Italy
 Phone: +39 0445 314324 | Fax: +39 0445 314319
 Email: info@teknoystem.eu | Web: www.teknoystem.eu

rev. 290710

Page 4 / 4