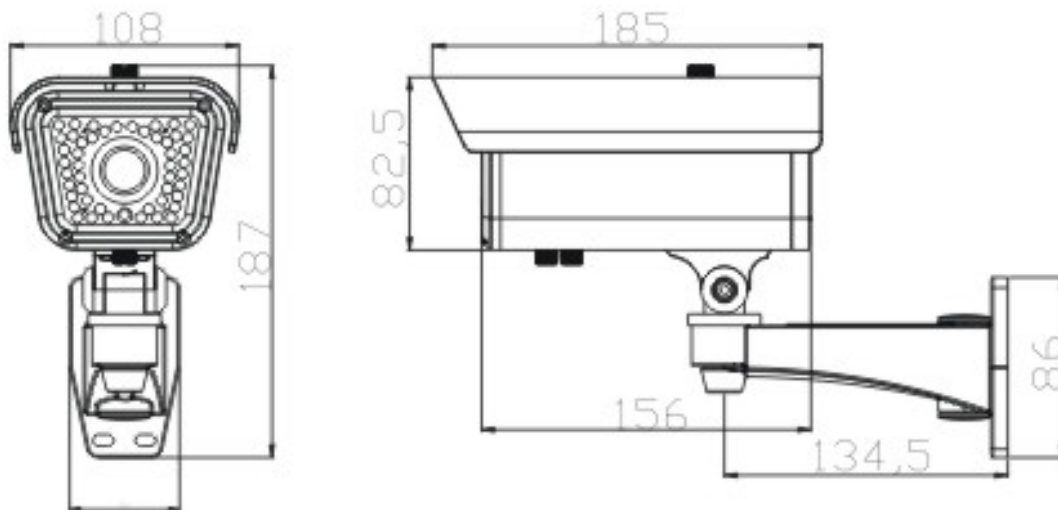


CIR-SZ33FVC

Weatherproof Vari-focal IR Camera



● FEATURES

1. 600 TVL, 1/3" Hi-resolution Color Sony CCD
2. 3.5-8mm Vari-focal IR lens: easy to focus, easy to zoom
3. Color changes to B/W while IR LED and ICR start working
4. Constant current circuit design to make sure the lifespan of IR LED
5. Cable management: cable through bracket
6. Removable IR cut filter (ICR)
7. No color deflection under sunshine and halogen lamp
8. Viewing angle: Horizontal: 33°-69°; Maximum Outdoor IR Range: 30-35M

ICR

True D/N

Smart IR

Remark: Non-regulative adaptor may cause camera damaged.

● ACCESSORIES

User Manual.....	X1
Screw.....	X4
Plastic-Conical-Anchor.....	X4
Hexagonal Wrench.....	X1
Mounting drawing paper.....	X1
DC Connector.....	X1

● SPECIFICATION

Items	CIR-SZ33FVC
IP Rating	IP66
Filter	Removable IR cut filter
Image Sensor	1/3" Super Sensitivity CCD
Pixels	NTSC:811(H)×508(V) PAL:795(H)×596(V)
Horizontal Resolution	600TVL
IR LED	54 Pcs IR LED
Vertical Frequency	NTSC:60Hz PAL:50Hz
Horizontal Frequency	NTSC:15.734KHz PAL:15.625KHz
Clock Frequency	NTSC:28.636MHz PAL:28.375MHz
Scanning System	2:1 Interlace
S/N Ratio	≥52dB
Electronic Shutter	NTSC:1/60-1/100,000s PAL:1/50-1/100,000s
White Balance	ATW
Back Light Compensation	OFF
Auto Gain Control	ON
Gamma	0.45
Video Output	1V p-p,75Ω
Lens	3.5-8mm Vari-focal Fixed iris Lens
Viewing Angle	Horizontal: 33°-69°
Power Supply	DC12V±10%
Current Consumption	450mA (Max)
Available IR Distance	30-35M (98.36-114.75ft)
Dimension	252×185.5×105mm (9.92"×7.30"×4.13")
Weight	1150g
Storage Temperature	-30℃~+60℃(-22~+140°F)
Operating Temperature	-30℃~+40℃(-22~+104°F)
Package	12PCs/CTN 20.7KGS 599×433×468mm(1.96×1.42×1.53ft)

● Package:

Weight..... 1150g
 Dimension.....252×185.5×105mm
 Quantity per carton12PCs
 Dimension of carton.....599×433×468mm
 Weight of carton.....20.7KGs