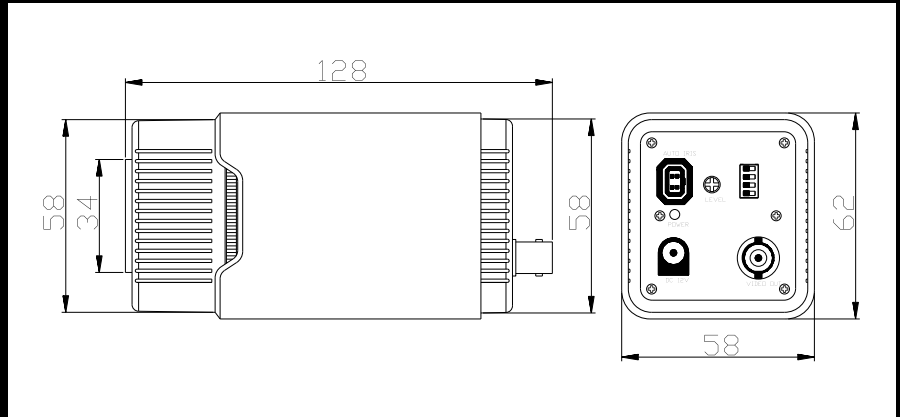


22 Series Body Camera



**Dual Power
Optional**

IP Optional

SPECIFICATION

Items	CBD-22B	CBD-22K	CBD-22FR	CBD-22L
IP Rating	IP55			
Filter	Double Layers Crystal with Blue Glass			
Image Sensor	1/3" Super sensitivity CCD	1/3" Hi-resolution Color Sony CCD		1/3" Hi-resolution Color Sony Double Scan CCD
Pixels	NTSC:811(H)×508(V) PAL:795(H)×596(V)			
Horizontal Resolution	480 TVL	520 TVL	550TVL WDR	520TVL WDR
Vertical Frequency	NTSC:60Hz PAL:50Hz			
Horizontal Frequency	NTSC:15.734Hz PAL:15.625Hz			
Clock Frequency	NTSC:28.636MHz PAL:28.375MHz			
Scanning System	2:1 Interlace			
S/N Ratio	≥50dB		≥52dB	
Electronic Shutter	NTSC :1/60-1/100,000S PAL:1/50-1/100,000S			
White Balance	Auto Tracking		AWB	Auto Tracking
Back Light Compensation	ON		OFF	ON
Auto Gain Control	ON			
Gamma	0.45			
Video Output	1Vp-p,75Ω			
Power Supply	DC12V ±10%			
Current Consumption	60mA	80mA	110mA	220mA
Dimension	58x62x128mm (0.19x0.20x0.42ft)			
Weight	370g			
Storage Temperature	-30~+60°C			
Operating Temperature	-30~+40°C			
Package	24PCs/CTN 13.37KGs 420x360x460mm (1.38x1.18x1.51ft)			