

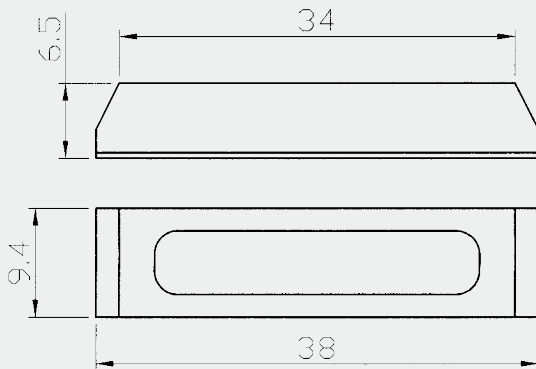
**Specification: BS-2024**

- \* Surface mounted contact without flange
- \* Center leads with #22AWG 18" length
- \* Super adhesive: VHB tape
- \* Special leads on request
- \* Switches or magnets available separately
- \* Resistor, Diode and Supervisory Loop available on request
- \* Colors: White, Brown, Grey

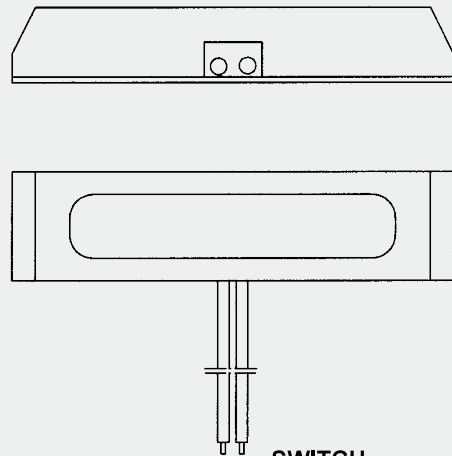
... **Surface Mounted**



**Dimension (mm):**



MAGNET



SWITCH

**Order Information:**

Part Number	Loop Type	Reed Form	Closed Gap [Inch(mm)]	Depature Gap [Inch(mm)]	Maximum Initial Contact Resistance (Ohm)	Maximum Contact Rating (W)	Maximum Switching Voltage (VDC/VAC)	Maximum Switching Current (A)
BS-2024	Closed	N/O	0.95 (24)	1.05 (26)	0.150	10	100	0.5
BS-2024A	Open	N/C	1 (23)		0.150	3	30	0.2
BS-2024C	Closed & Open	SPDT	1 (23)		0.150	3	30	0.2

