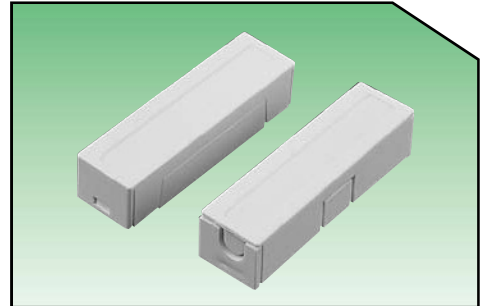


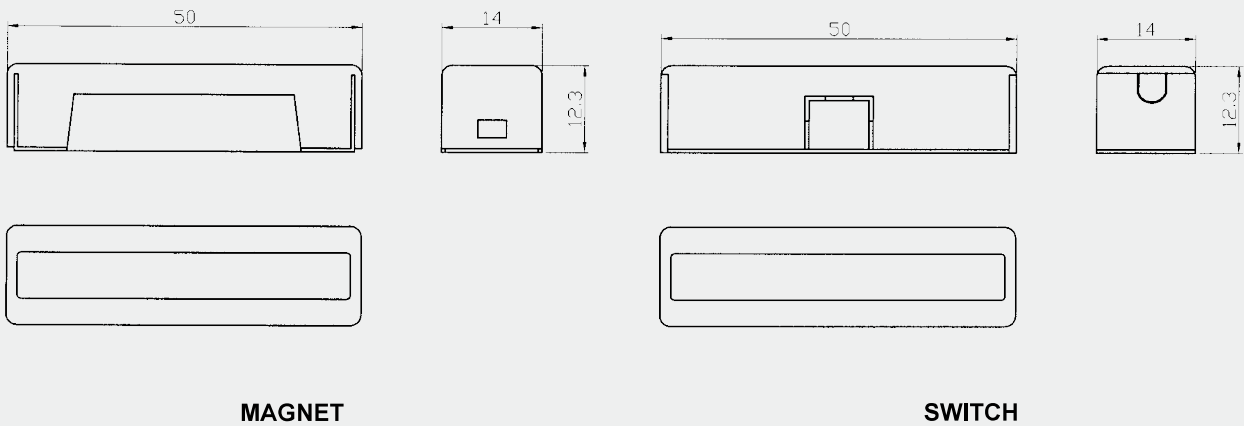
## Specification: **BS-2033**

- \* Screw mount
- \* Attractive cover keeps mounting screws and terminal screws hidden
- \* Concealed or surface wiring
- \* Switches or magnets available seperately
- \* Colors: White, Brown, Grey

## ••• Surface Mounted



## Dimension (mm):



## Order Information:

Part Number	Loop Type	Reed Form	Closed Gap [Inch(mm)]	Depature Gap [Inch(mm)]	Maximum Initial Contact Resistance (Ohm)	Maximum Contact Rating (W)	Maximum Switching Voltage (VDC/VAC)	Maximum Switching Current (A)
BS-2033	Closed	N/O	1.2 (30)	1.4 (36)	0.150	10	100	0.5
BS-2033A	Open	N/C	1 <sup>1</sup> / <sub>8</sub> (28)		0.150	3	30	0.2
BS-2033C	Closed&Open	SPDT	1 <sup>1</sup> / <sub>8</sub> (28)		0.150	3	30	0.2

Note: Wire range for terminal: #20~#24AWG