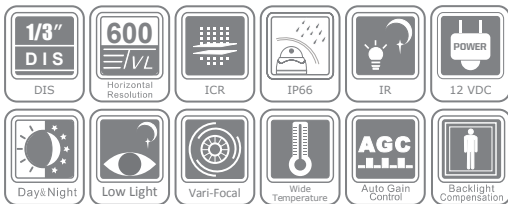


DS-2CE5582P(N)-VFIR3

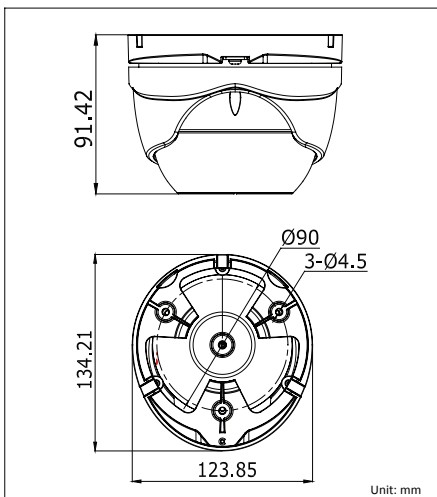
600TVL Vari-focal IR Dome Camera



Key features

- 1/3" DIS
- True Day/Night
- 600 TVL horizontal resolution
- 2.8 ~ 12mm vari-focal lens
- 40m IR distance
- Wide operating temperature range

Dimensions



DS-2CE5582P(N)-VFIR3	
Camera	
Image sensor	1 / 3" DIS
Signal system	PAL / NTSC
Effective pixels	720(H) × 480(V)
Min. illumination	0.1Lux @ (F1.2,AGC ON), 0 Lux with IR 0.14Lux @ (F1.4,AGC ON), 0 Lux with IR
Shutter speed	PAL: 1 / 25 s to 1 / 15,000 s NTSC: 1 / 30 s to 1 / 15,000 s
Lens	2.8-12mm @ F1.4 Angle of view: 80° - 27.2°
Lens mount	Φ14
Angle adjustment	Pan: 0 - 360°, Tilt: 0 - 75°, Rotation: 0 - 360°
Day & night	IR cut filter with auto switch
Horizontal resolution	600 TVL
Synchronization	Internal synchronization
Video output	1Vp-p composite output (75 Ω / BNC)
S / N ratio	More than 52 dB
BLC	On
General	
Working temperature / humidity	-40 °C - 60 °C (-40 °F - 140 °F) Humidity 90% or less (non-condensing)
Power supply	12 V DC ± 10%
Power consumption	Max. 4 W (Max. 6.5 W with IR cut filter on)
Ingress protection level	IP66
IR range	40 meters
Dimensions	134.21 × 123.85 × 91.42mm (5.28" × 4.88" × 3.60")
Weight	1350g (2.97 lbs)

Available models

PAL: DS-2CE5582P-VFIR3
NTSC: DS-2CE5582N-VFIR3