

DS-2CE56D1T-(A)IRZ 2MP CMOS Motorized Vari-focal IR Dome Camera



Key Features

- 2 Megapixel high-performance CMOS
- Analog HD output, up to 1080P resolution
- 2.8 – 12mm motorized vari-focal lens
- True Day/Night, Smart IR
- Up to 30m IR distance
- OSD menu
- 24V AC/ 12V DC (-A)
- Up the Coax(HIKVISION-C protocol)



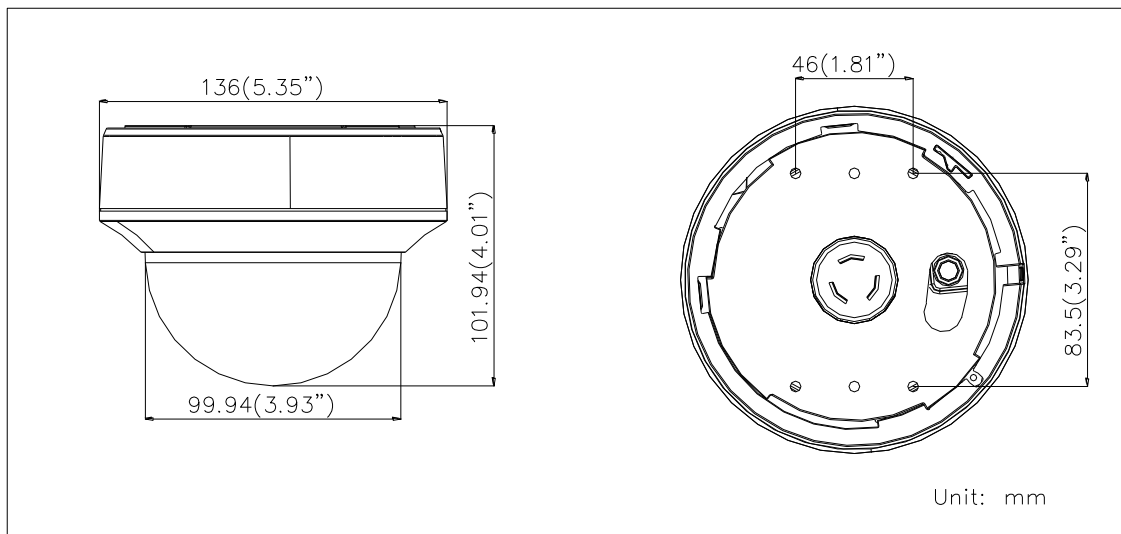
Specifications

| Camera | |
|----------------------|--|
| Image Sensor | 2MP CMOS Image Sensor |
| Signal System | PAL/NTSC |
| Effective Pixels | 1930(H)*1088(V) |
| Min. illumination | 0.01 Lux @ (F1.2,AGC ON),0 Lux with IR |
| Shutter Time | 1/25(1/30)s to 1/50,000s |
| Lens | Motorized VF lens; 2.8 - 12 mm @ F1.4 |
| | Angle of view: 114.5° - 35.1° |
| Lens Mount | φ14 |
| Day & Night | ICR |
| Angle Adjustment | Pan: 0 - 355°, Tilt: 0 - 75°, Rotation: 0 - 355° |
| Synchronization | Internal synchronization |
| Video Frame Rate | 1080p@25fps/1080p@30fps |
| HD Video Output | 1 Analog HD output |
| S/N Ratio | >62dB |
| Menu | |
| Camera ID | On/off (0-255) |
| AGC | Support |
| D/N Mode | Color/BW/Auto/EXT |
| White Balance | Auto/User/Push/8000K/6000K/4200K/3000K |
| Privacy Mask | On/Off, maximum 2 zones |
| Motion Detection | On/Off, maximum 4 zones |
| BLC | Support |
| Anti-flicker | On/Off |
| Language | English/Chinese |
| Functions | Digital noise reduction, Mirror |
| General | |
| Operating Conditions | -20 °C – 45 °C (-4 °F – 113 °F), Humidity 90% or less (non-condensing) |
| Power Supply | 12 VDC ± 15%, -A: 12 VDC±15%, 24 VAC±15% |
| Power Consumption | Max. 4W, -A: Max. 5W |
| IR Range | Up to 30m |
| Communication | Up the coax, Protocol: HIKVISION-C(TVI output) |
| Dimensions | Φ 136 × 101.94 mm (Φ 5.35" × 4.01") |
| Weight | 560 g |

Order Models

DS-2CE56D1T-IRZ, DS-2CE56D1T-AIRZ

Dimensions



Accessories



DS-1273ZJ-130
Wall Mount



DS-1275ZJ
Vertical Pole Mount



DS-1276ZJ
Corner Mount



DS-1271ZJ-130
Pendant Mount



DS-1273ZJ-130B
Wall Mount



DS-1241ZJ
In-ceiling Mount



DS-1240ZJ
Inclined Ceiling Mount



DS-1253ZJ-L
Rain Shade



DS-1250ZJ
Rain Shade



DS-1H18
Video Balun

Distributed by



DS-TT-X41T
TVI Tester

Headquarters

No.555 Qianmo Road, Binjiang District,
Hangzhou 310051, China
T +86-571-8807-5998
overseasbusiness@hikvision.com

Hikvision Poland
T +48-22-460-01-50
poland@hikvision.com

Hikvision USA
T +1-909-895-0400
sales.usa@hikvision.com

Hikvision India
T +91-22-28469900
sales@pramahikvision.com

Hikvision UK
T +44-1628-9021-4
support.uk@hikvision.com

Hikvision Europe
T +31-23-5542770
saleseuro@hikvision.com

Hikvision Italy
T +39-0438-6902
info.it@hikvision.com

Hikvision Singapore
T +65-6684-4718
sg@hikvision.com

Hikvision Middle East
T +971-4-8816086
salesme@hikvision.com

Hikvision France
T +33(0)1-85-330-444
info.fr@hikvision.com

Hikvision Oceania
T +61-2-8599-4233
salesau@hikvision.com

Hikvision Russia
T +7-495-669-67-99
saleru@hikvision.com

Hikvision Spain
T +34-91-737-16-55
info.es@hikvision.com

Hikvision Hong Kong
T +852-2151-1761