

DS-2DE5120I/5220I-AE 1.3MP/2MP 20X Network IR PTZ Dome Camera



Hikvision DS-2DE5120I/5220I-AE PTZ Dome Cameras are able to capture high quality images in low light environment with its black anti-reflective glass. The black anti-reflective glass increase the luminousness which can reach up to 150m IR distance.

Embedded with 1/2.8" progressive scan CMOS chip makes DWDR and 1.3MP/2MP real-time resolution possible. With the 20X optical zoom Day/Night lens, the camera offers more details over expansive areas.

Hikvision DS-2DE5120I/5220I-AE PTZ Dome Cameras also features a wide range of functions, including intrusion detection, line crossing detection and audio exception, benefitting users with great improvement on security efficiency, more importantly, with key events / objects being recorded for further forensic needs.

Key Features

- 1/2.8" Progressive Scan CMOS
- 1280 x 960/1920 x 1080
- 20X Optical Zoom
- DWDR
- 3D intelligent positioning function
- Support EZVIZ cloud P2P
- Up to 150m IR distance
- Hi-PoE / 24VAC power supply
- Support BNC output



DS-2DE5120I/5220I-AE

1.3MP/2MP 20X Network IR PTZ Dome Camera



Function Description

Basic function:

- High performance sensor, up to 1920 x 1080/1280 x 960 resolution
- $\pm 0.1^\circ$ Preset Accuracy
- ONVIF(Open Network Video Interface Forum), CGI(Common Gateway Interface), PSIA(Physical Security Interoperability Alliance), to ensure greater interoperability between different platforms and compatibility
- 3D intelligent positioning function
- Power-off memory function: restore PTZ & Lens status after reboot
- IP66 standard
- Support EZVIZ cloud P2P

Functions:

- Detections: intrusion detection, line crossing detection, audio exception detection, motion detection
- Recording: edge recording, support smart search in smart NVR
- Support low bit rate, ROI

Camera function:

- Auto iris, auto focus, auto white balance, backlight compensation and auto day & night switch
- Min. Illumination: 0.02Lux@(F2.0,AGC ON)(Color), 0.002Lux@(F2.0,AGC ON)(B/W)
- Support 8 privacy masks

PTZ function:

- 360° endless pan range and -15° -90° tilt range
- 400° /s Pan Preset Speed and 200° /s Tilt Preset Speed
- 0.1° -400° /s Manual Pan Speed and 0.1° -200° /s Manual Tilt Speed
- 300 presets programmable; preset image freezing capability
- 8 patrols, up to 32 presets per patrol

Network function:

- H.264/ MJPEG video compression and the latest processing chip and platform

- Built-in Web server
- Support Micro SD card local storage, up to 128GB
- Support up to 8 NAS storage; Transmit the videos from SD card to the NAS after network resumed
- HTTPS encryption and IEEE 802.1X port-based network access control
- Support dual-stream;H.264/ MJPEG video compression; Basic and advanced video configuration; Real time video at 1080P/960P or 720P
- Multiple network protocols supported: IPv4/IPv6, HTTP, HTTPS, 802.1X, QoS, FTP, SMTP, UPnP, SNMP, DNS, DDNS, NTP, RTSP, RTP, TCP, UDP, IGMP, ICMP, DHCP, PPPoE
- 1 audio input and 1 audio output
- 2 alarm input and 1 alarm output, alarm linkage support preset, patrol, pattern, recording, relay output, upload center, etc.

IR function:

- 0 Lux minimum illumination
- Up to 150m IR distance
- IR light MTBF reaching up to 30,000 hours
- Smart IR mode

DS-2DE5120I/5220I-AE

1.3MP/2MP 20X Network IR PTZ Dome Camera



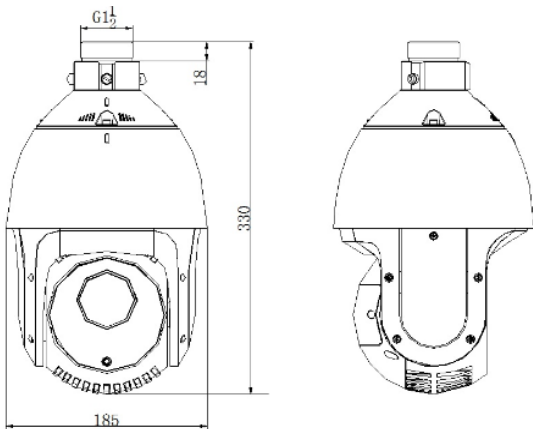
Model	DS-2DE5120I-AE	DS-2DE5220I-AE
Camera Module		
Image Sensor	1/2.8" Progressive Scan CMOS	
Min. Illumination	F1.5, AGC On: Color: 0.02 lux, B/W : 0.002 lux, 0 lux with IR	
Max. Image Resolution	1280 × 960	1920 x 1080
Focal Length	4.7-94.0mm, 20x	
Digital Zoom	16X	
Zoom Speed	Approx.3s(Optical Wide~Tele)	
Angle of View	58.3-3.2 degree (Wide~Tele)	
Min. Working Distance	10~1,000mm(Wide~Tele)	
Aperture Range	F1.6~F3.5	
Focus Mode	Auto / Semiautomatic / Manual	
DWDR	Support	
S / N Ratio	≥ 52dB	
Shutter Time	1-1/10,000s	
AGC	Auto / Manual	
White Balance	Auto / Manual /ATW/Indoor/Outdoor/Daylight lamp/Sodium lamp	
Day & Night	IR Cut Filter	
Privacy Mask	8 privacy masks programmable	
Enhancement	3D DNR, Defog, HLC/BLC	
Pan and Tilt		
Range	Pan:360° endless; Tilt: -15°~90°(Auto Flip)	
Speed	Pan Manual Speed: 0.1°~400°/s, Pan Preset Speed: 400°/s Tilt Manual Speed: 0.1°~200°/s, Tilt Preset Speed: 200°/s	
Number of Preset	300	
Patrol	8 patrols, up to 32 presets per patrol	
Park Action	Preset / Patrol / Pattern / Pan scan / Tilt scan / Random scan / Frame scan / Panorama scan	
Scheduled Task	Auto scan / Frame scan / Random scan / Patrol / Pattern / Preset / Panorama scan / Tilt scan / Dome reboot / Dome adjust / Aux output	
Features		
Detection	Intrusion detection, Line crossing detection, Audio exception detection, Motion detection	
ROI encoding	Support 4 areas with adjustable levels	
Infrared		
IR Distance	Up to 150m	
IR Intensity	Automatically adjusted, depending on the zoom ratio	
Alarm		
Alarm I/O	2/1	
Alarm Trigger	Intrusion detection, Line crossing detection, Audio exception detection, Motion detection, Dynamic analysis, Tampering alarm, Network disconnect, IP address conflict, Storage exception	
Alarm Action	Preset, Patrol, Pattern, Recording, Relay output, Upload center, Upload FTP, Email linkage	
Input/Output		
Audio Input	1 Mic in/Line in interface, line input: 2-2.4V[p-p]; output impedance: 1KΩ, ±10%	
Audio Output	1 Audio output interface, line level, impedance: 600Ω	
Network		
Ethernet	10Base-T / 100Base-TX, RJ45 connector	
Main Stream	50Hz:25fps(1280×960), 25fps (1280×720), 60Hz:30fps(1280×960), 30fps (1280×720)	50Hz: 25 fps (1920x1080), 25 fps (1280x720) 60Hz: 30 fps (1920x1080), 30 fps (1280x720)

DS-2DE5120I/5220I-AE 1.3MP/2MP 20X Network IR PTZ Dome Camera



Sub Stream	50Hz:25fps(704×576), 25fps(352×288), 25fps(320×240); 60Hz:30fps(704×480), 30fps(352×240), 30fps(320×240)
Image Compression	H.264/MJPEG
Audio Compression	G.711ulaw/G.711alaw/G.726/MP2L2/G.722
Protocols	IPv4/IPv6, HTTP, HTTPS, 802.1X, QoS, FTP, SMTP, UPnP, SNMP, DNS, DDNS, NTP, RTSP, RTP, TCP, UDP, IGMP, ICMP, DHCP, PPPoE
Simultaneous Live View	Up to 20 users
Mini SD Memory Card	Support up to 128GB Micro SD/SDHC/SDXC card. Support Edge recording
User/Host Level	Up to 32 users,3 Levels: Administrator, Operator and User
Security Measures	User authentication (ID and PW); Host authentication (MAC address); IP address filtering
System Integration	
Application programming	Open-ended API, support ONVIF, PSIA and CG , Support EZVIZ cloud P2P
Web Browser	IE 7+, Chrome 18 +, Firefox 5.0 +, Safari 5.02 +
RS-485 Protocols	HIKVISION, Pelco-P, Pelco-D, self-adaptive
Power	High-PoE&24 VAC, Max.32W
Working Temperature	-30° C ~ 65° C (-22° F ~ 149° F)
Humidity	90% or less
Protection Level	IP66, TVS 4,000V lightning protection, surge protection and voltage transient protection
Certification	FCC, CE, UL, RoHS, IEC/EN 61000, IEC/EN 55022, IEC/EN 55024, IEC /EN60950-1
Dimensions	Φ266.6(mm)×365.2(mm)
Weight (approx.)	4kg (8.81lbs)
Mount Option	Long-arm wall mount: DS-1602ZJ; Corner mount: DS-1602ZJ-corner; Pole Mount: DS-1602ZJ-pole; Power box mount:DS-1602ZJ-box; Swan-neck mount: DS-1619ZJ

Dimensions



Unit:mm

Accessories



DS-1602ZJ
Wall Mount



DS-1602ZJ-Conner
Conner Mount



DS-1602ZJ-Pole
Pole Mount



DS-1602ZJ-Box
Box Mount



DS-1663ZJ
Ceiling mount



DS-1661ZJ
Pendant mount



DS-1662ZJ
Pendant mount



DS-1619ZJ
Swan-neck Mount



DS-1100KI
Network Keyboard



DS-1005KI
USB Joy-stick