

DS-KH6210-L

Video Intercom Indoor Station with 7-inch Screen

Key Features

Basic Functions

- Hands-free audiovisual communication with the door station and the master station in the intercom system
- Panic call supported
- 2-ch zone alarm supported
- Supports monitoring door stations and external cameras
- Remote unlocking via the client software
- High-performance embedded SOC processor

Video/Audio Functions

- HD video surveillance with high performance CMOS
- 7-inch colorful FTF LCD with resolution 800 x 480
- Noise suppression and echo cancellation
- H.264 video compression



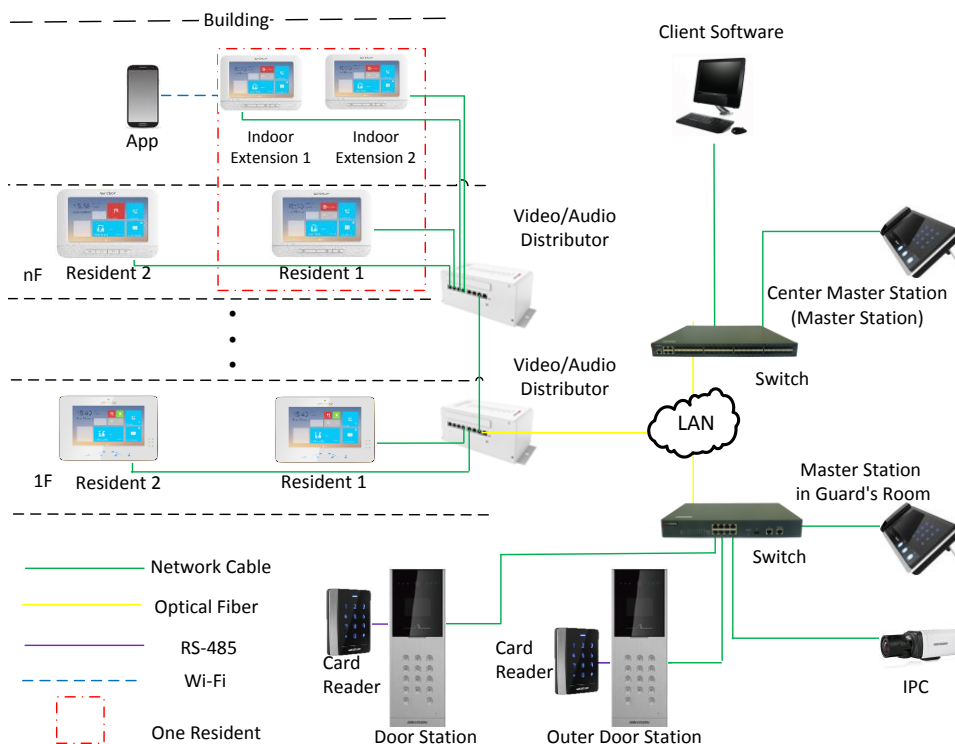
Alarm Functions

- 2-ch alarm input sensors supported
- Auto-uploads alarm messages to the master station, or the client software once the alarm sensor is triggered

Additional Features

- Community notice supported
- Convenient installation and easy operation

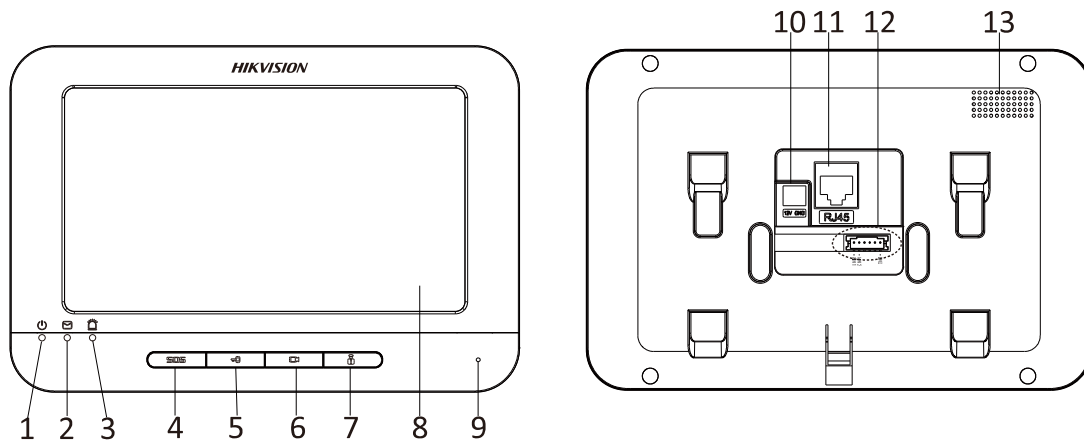
Typical Application



Specifications

Model	DS-KH6210-L	
System parameters	Processor	High-Performance Embedded SOC Processor
	Operation system	Embedded Linux Operation System
Display parameters	Display screen	7-Inch Colorful TFT LCD
	Display resolution	800 × 480
	Operation method	Physical Button
	Operation interface	Flattened UI Operation Interface
Audio parameters	Audio input	Built-in Omnidirectional Microphone
	Audio output	Built-in Loudspeaker
	Audio compression standard	G.711 U
	Audio compression rate	64 Kbps
	Audio quality	Noise Suppression and Echo Cancellation
Network parameters	Ethernet	10/100 Mbps Self-Adaptive Ethernet
	Network protocol	TCP/IP, RTSP
Alarm parameters	Alarm input	2-ch Alarm Input Sensor
Device interfaces	Network interface	1 RJ-45 10/100 Mbps Self-Adaptive Ethernet Interface
	RS-485	1 RS-485 Half-Duplex Port
	I/O output	1
General	Memory	256 M
	Power supply	24 VDC, Power Over Network Cable (DS-KAD606, DS-KAD612)
		12 VDC
	Power consumption	≤10 W
	Working temperature	-10° C to + 55° C (14° F to 131° F)
	Working humidity	10% to 90%
	Dimensions (L × W × H)	217 mm × 142 mm × 26 mm (8.5" × 5.6" × 1.0")
Certification	FCC, IC, CE, C-TICK, ROHS, REACH, WEEE	

Appearance and Interfaces



Index	Description		Index	Description
1	Power Supply Indicator		8	LCD Display Screen
2	Information Indicator		9	Microphone
3	Alarm Indicator		10	Power Supply Interface
4	SOS Key (hold)	Return Key (press)	11	Network Interface
5	Unlock Key (hold)	Direction Keys▲and◀(press)	12	Terminals
6	Live View Key (hold)	Direction Keys▼and▶(press)	13	Loudspeaker
7	Management Center Key (hold)	Confirm Key (press)		

Distributed by

Available Model

DS-KH6210-L

HIKVISION®

Headquarters

No.555 Qianmo Road, Binjiang District,
Hangzhou 310051, China
T +86-571-8807-5998
overseasbusiness@hikvision.com

Hikvision USA
T +1-909-895-0400
sales.usa@hikvision.com

Hikvision Italy
T +39-0438-6902
info.it@hikvision.com

Hikvision Singapore
T +65-6684-4718
sg@hikvision.com

Hikvision Africa
T +27 (0) 0351172
sale.africa@hikvision.com

Hikvision Europe
T +31-23-55-42-770
info.eu@hikvision.com

Hikvision France
T +33(0)1-85-330-450
info.fr@hikvision.com

Hikvision Oceania
T +61-2-8599-4233
salesau@hikvision.com

Hikvision Hong Kong
T +852-2151-1761

Hikvision Middle East
T +971-4-8816086
salesme@hikvision.com

Hikvision Spain
T +34-91-737-16-55
info.es@hikvision.com

Hikvision Canada
T +1-909-895-0400
sales.usa@hikvision.com

Hikvision Russia
T +7-495-669-67-99
saleru@hikvision.com

Hikvision Poland
T +48-22-460-01-50
poland@hikvision.com

Hikvision Korea
T +82-31-731-8841
sales.korea@hikvision.com

Hikvision India
T +91-22-28469900
sales@pramahikvision.com

Hikvision UK
T +01628-902140
support.uk@hikvision.com

Hikvision Brazil
T +55 11 3318-0050
Latam.support@hikvision.com