

emotion

LENS


Aisi316L stainless steel body
Pan/Tilt unit with integrated receiver
Continuous rotation
IP66
Variable speed from 0.01 ° to 200 °/s
Onscreen display configuration
Multiprotocol

Emotion is the new series of PTZ devices particularly sturdy and dedicated to video surveillance for indoor and outdoor applications especially where the specify resistance to corrosion guaranteed by AISI 316L Stainless Steel is required.

The unit is easy to install, versatile and customizable

Emotion can host analog cameras with motorized lenses, block module cameras with serial control and thermal cameras.

Continuous PAN and TILT rotations

Positioning is extremely quick thanks to the speed that can reach 200 %/sec on both axis

The unit works with mechanical solutions that do not require maintenance



tekno system[®]
 Italian design for CCTV since 1979

Tekno System S.p.A.

Via Rostoncello, 1 - 36010 Carrè – Italy

Phone: +39 0445 314324 | Fax: +39 0445 314319

Email: info@teknoystem.eu | Web: www.teknoystem.eu

rev. 160311

Page 1 / 6

MECHANICAL FEATURES

Enterely made of stainless steel Aisi316L
 Top mount
 Tooth belt transmission
 Slip-ring
 Zero backlash
 Horizontal continuous rotation
 Vertical continuous rotation
 Electronic limit switches
 Pan and tilt speed from 0.01 °up to 200 °/s(*)
 Angular acceleration 250 °/s² – 1000 °/s²
 Position repeat accuracy +/-0.01 °
 Inner dimensions (see drawings)
 Useful window (see drawing)
 User friendly installation
 4 cable glands M16
 (*) related to model/version and to the load weight

ELECTRICAL FEATURES**CONSUMPTION**

24Vac, 50/60Hz 120W 5A
 120Vac, 50/60Hz 120W 1A
 230Vac, 50/60Hz 120W 0,5A

CAMERA

12Vdc-800mA
 Lenses 6-12Vdc-200mA (polarity inversion lenses)
 Camera protection in case of system switching on with uncorrect temperature

VIDEO

Up to 2 video lines (1V, 75Ω)

SERIAL INTERFACES

Two serial ports RS485
Every serial port may handle up to 4095 addresses depending on the protocol utilized

FIELD INTERFACE

nr.4 alarm input (10-35V)
 nr.4 open collector output

SOFTWARE

Software for system configuration, languages configuration, upgrade through serial RS485 in remote modality.

MAIN FUNCTIONS**SYSTEM**

Multilanguages OSD configuration.
 Up to 5 languages to be customized by the customer.
 250 Preset (related to protocol)
 23 characters available for title
 Patrol sequencies and random
 Automatic recall on event

TELEMETRY PROTOCOLS

Pelco D, American Dynamics, Panasonic
*Trademark are registered and belong to their owners.
 Other protocols under request*

CAMERA PROTOCOLS

VISCA (Sony)
*Trademark are registered and belong to their owners.
 Other protocols under request*

ENVIRONMENT

For indoor and outdoor applications
 Temperature range: -40 °C/+50 °C
 Defogging System

CERTIFICATES

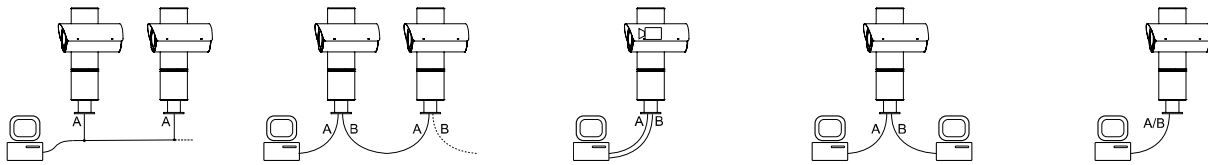
CEI EN60950-1, EN61000-6-3 e EN50130-4
 FCC part 15, class B
 IP66 EN60529

DIMENSIONS

Weight: 27kg
 Box weight: 30kg
 Box dimensions: 723x433x330mm

*EMOTION can be interfaced with devices not made by Tekno System.
 Due to the continuous evaluation of the communication protocols it is compulsory to make the checking test to verify the compatibility of them with the Emotion before installation
 Tekno System will not be responsabile in any case of damages or costs due to eventual compatibility problems*

SERIAL CONNECTIONS



RS485

- Monodirectional
- Half/Duplex

RS485

- Monodirectional
- Half/Duplex

Daisy chain connection
up to 1,2km for each
connection

2 RS485

- Monodirectional
- Half/Duplex

Direct connection to
camera (optional)

RS485

- Monodirectional
- Half/Duplex

With 2 different
protocols

RS422

Every configuration may handle up to 4095 addresses depending on the protocol utilized



MODELS

EMOTION LENS 24VAC

Stainless steel Aisi316L integrated positioning unit Emotion, feeding voltage 24Vac, for analog cameras with motorized zoom and serial interface.

EMOTION LENS 230VAC

Stainless steel Aisi316L integrated positioning unit Emotion, feeding voltage 230Vac, for analog cameras with motorized zoom and serial interface.

EMOTION LENS 24VAC WIPER

Stainless steel Aisi316L integrated positioning unit Emotion, feeding voltage 24Vac, wiper, for analog cameras with motorized zoom and serial interface.

EMOTION LENS 230VAC WIPER

Stainless steel Aisi316L integrated positioning unit Emotion, feeding voltage 230Vac, wiper, for analog cameras with motorized zoom and serial interface.



tekno system[®]
Italian design for CCTV since 1979

Tekno System S.p.A.

Via Rostoncello, 1 - 36010 Carrè – Italy

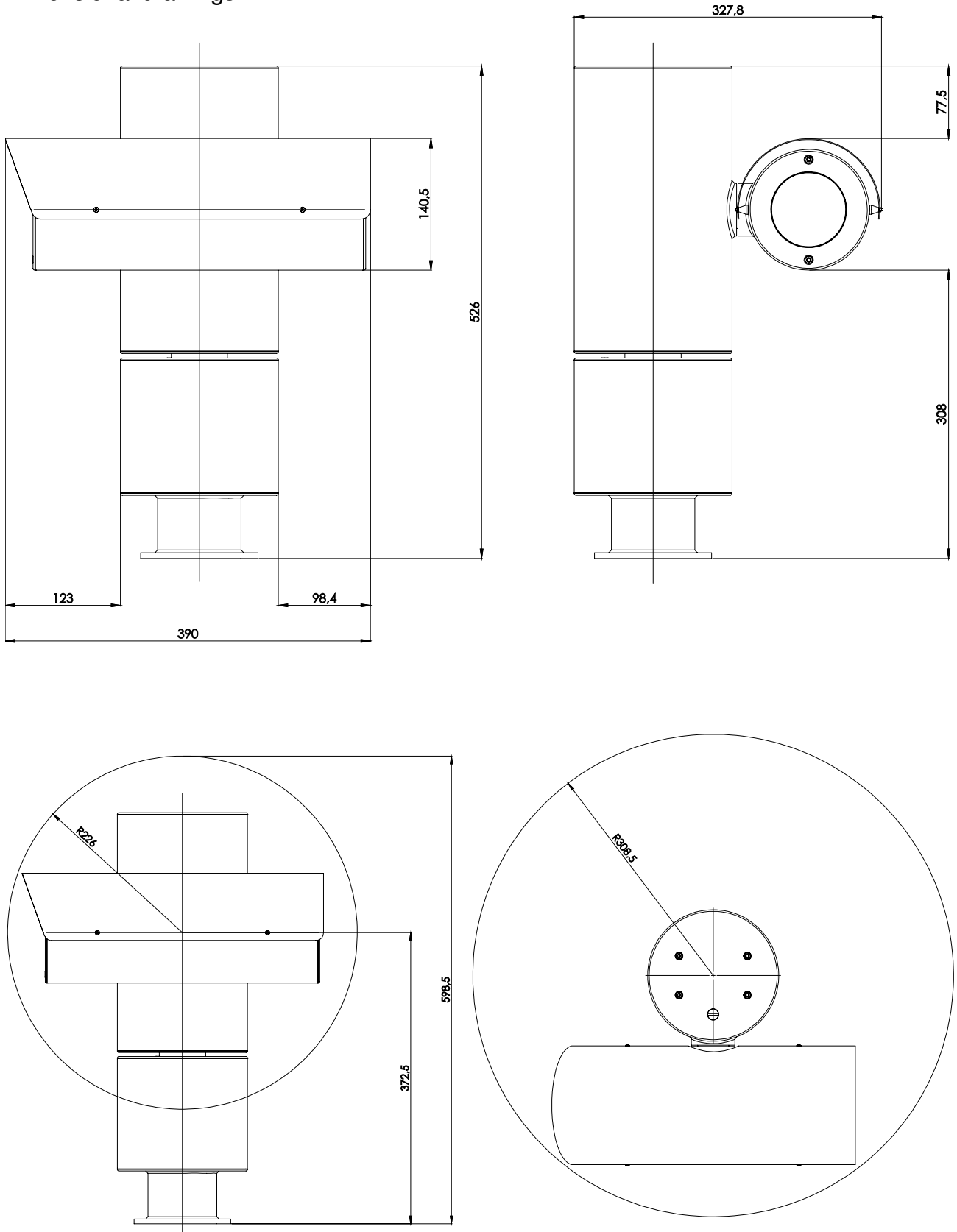
Phone: +39 0445 314324 | Fax: +39 0445 314319

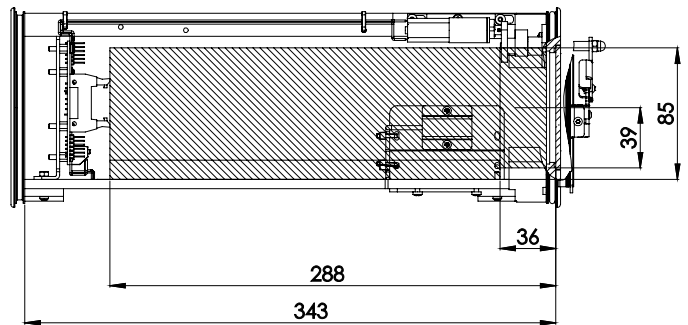
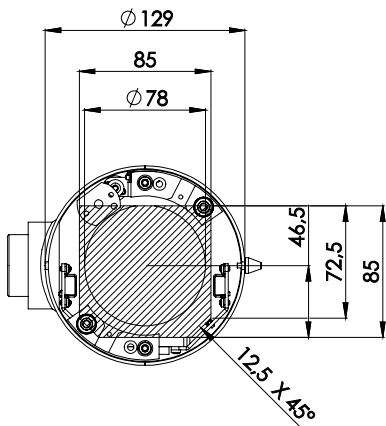
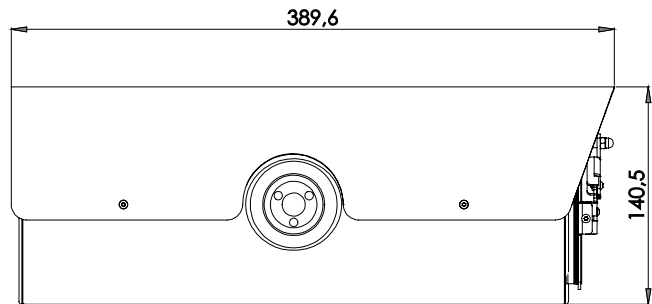
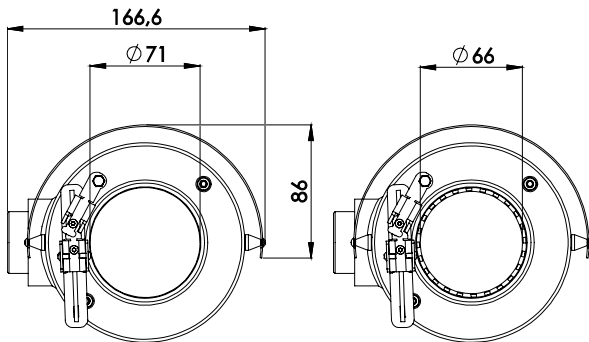
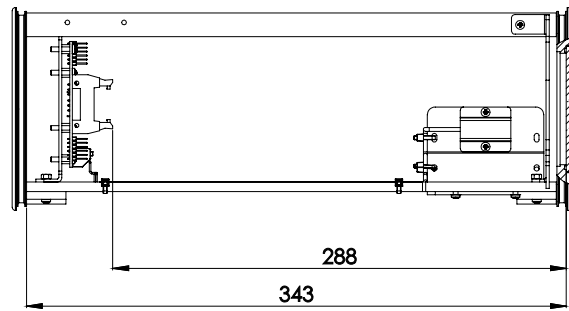
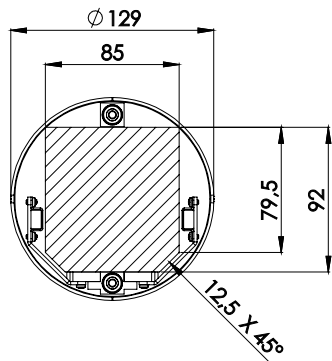
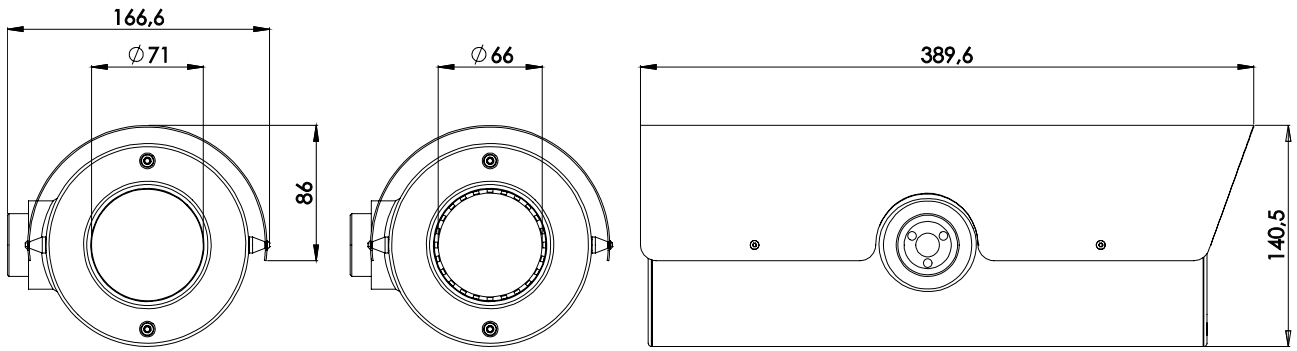
Email: info@teknoystem.eu | Web: www.teknoystem.eu

rev. 160311

Page 3 / 6

Dimensional drawings





ACCESSORIES

BWE	AISI316L Stainless Steel Wall Bracket for Emotion
-----	---------------------------------------------------



CME	AISI316L Stainless Steel Corner Adapter for Emotion
-----	-----------------------------------------------------

**RELATED PRODUCTS**

TSK1	Multiprotocol Control Keyboard LCD graphic display 3 serial ports RS485 Proportional 3 axis joystick (PTZ) Jog.shuttle Numeric keypad (12 keys) Multi-function keypad (10 keys)
------	---------------------------------------------------------------------------------------------------------------------------------------------------------------------------------------------------

**WATER TANK AND PUMP** *(for Emotion with Wiper)*

TAP 5LX5M	5 Liters Water tank with 5 meters prevalence pump
-----------	---------------------------------------------------

TAP 5LX5M WT	5 Liters Water tank with 5 meters prevalence pump and telemetry receiver
--------------	--------------------------------------------------------------------------



TAP 25LX20M	25 Liters Water tank with 20 meters prevalence pump
-------------	-----------------------------------------------------

TAP 25LX20M WT	25 Liters Water tank with 20 meters prevalence pump and telemetry receiver
----------------	----------------------------------------------------------------------------



EATAP	Stainless Steel Adapter to use Emotion with Water Tank and Pump when the BWE Bracket is not used. For example Top Mount on a Pole.
-------	------------------------------------------------------------------------------------------------------------------------------------

