

ergo-T & ergo-T plus

Touchscreen keypad

Installation guide



INTRODUCTION

ergo-T and ergo-T plus are touchscreen keypads of the latest generation, they have a graphic interface, the ideal command and control interface of lares 4.0 control panels.

They communicate with the control panel via LAN network thanks to their IP network interfaces. In this way, not only it is possible to manage all the various functions related to Intrusion Security, but also the functions of Video Surveillance, Access Control, what is today defined as Home Automation or Smart Home in general (i.e. management of the various automations, lights, temperatures, motorized shutters, appliances, irrigation, etc.).

Even though they use the network port, ergo-T and ergo-T plus are recognized by the control panel with a fast acquisition process with no need of any configuration on the router; furthermore, they can be supervised by the panel like a normal keypad on BUS.

TECHNICAL DATA

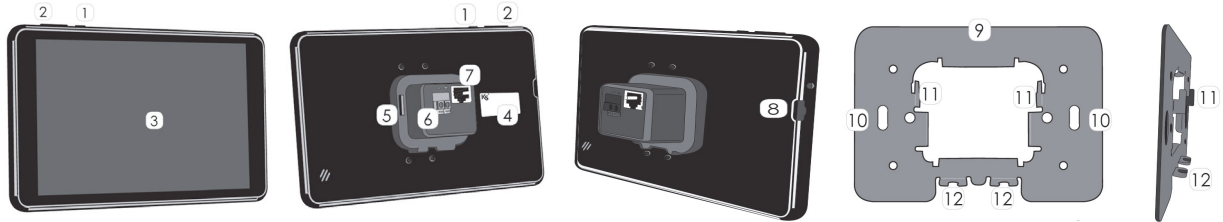
ergo-T	
Technical data	Description
IP Interface	PoE - 13W max
Power supply	10-24 Vcc, 700mA max
Display Capacitive Touch	7" TFT
Resolution	1920x1200 (FHD)
CPU	Rockchip 3368 Octacore
Operating system	Android 7.0
RAM	2Gb
Nand Flash	8Gb
Dimensions	187 x 110 x 341 mm
Weight	342gr / with packaging: 793gr

ergo-T plus	
Technical data	Description
IP Interface	PoE - 13W max
Power supply	10-24 Vcc, 700mA max
Display Capacitive Touch	10" TFT
Resolution	1920x1200 (FHD)
CPU	Rockchip 3368 Octacore
Operating system	Android 7.0
RAM	2Gb
Nand Flash	8Gb
Dimensions	243 x 172 x 343 mm
Weight	557gr / with packaging: 1009gr

QUANTITY DATA

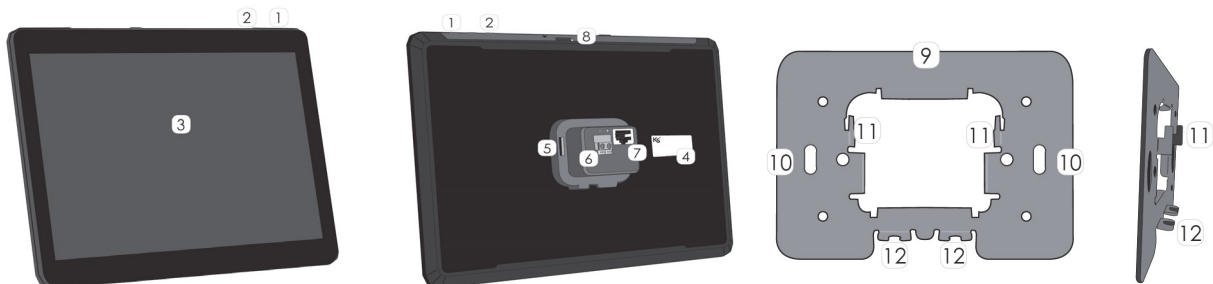
lares 4.0 models	wls 96	16	40	40 wls	140 wls	644 wls
Maximum number of ergo-T/ergo-T keypads	1	2	4	4	8	14

ergo-T PRODUCT DESCRIPTION



- 1 - ON/OFF button (long press turn ON/turn OFF, short press it goes in stand-by, in this mode the connexion with the central panel will be interrupted)
- 2 - Tone button
- 3 - Display capacitive touch: 7"
- 4 - MAC address label
- 5 - Support housing
- 6 - Power supply (+/-)
- 7 - IP interface Ethernet/PoE
- 8 - Micro SD slot (future use)
- 9 - Metal support plate
- 10 - Holes for DIN 503 recessed box
- 11 - Support hooks
- 12 - Housing for locking screws

ergo-T plus PRODUCT DESCRIPTION



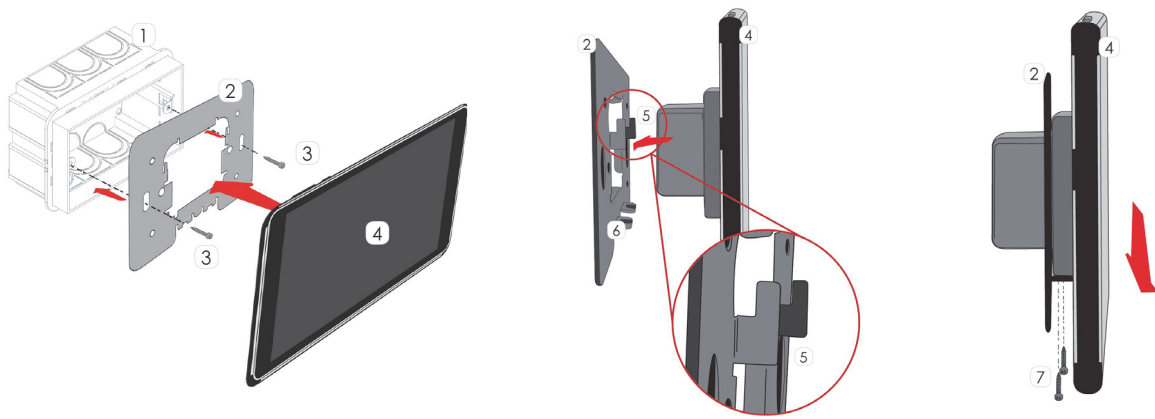
- 1 - ON/OFF button (long press turn ON/turn OFF, short press it goes in stand-by, in this mode the connexion with the central panel will be interrupted)
- 2 - Tone button
- 3 - Display capacitive touch: 10"
- 4 - MAC address label
- 5 - Support housing
- 6 - Power supply (+/-)
- 7 - IP interface Ethernet/PoE
- 8 - Micro SD slot (future use)
- 9 - Metal support plate
- 10 - Holes for DIN 503 recessed box
- 11 - Support hooks
- 12 - Housing for locking screws

INSTALLATION

ergo-T and ergo-T plus, must be installed on plain surface, housing the metal support plate pre-drilled directly on a DIN 503 recessed box or on a European standard boxes (60mm screw-distance).

Connect the network cable coming from the control panel to the Ethernet IP / PoE port of the keypad (also connect the power supply if PoE is not supported).

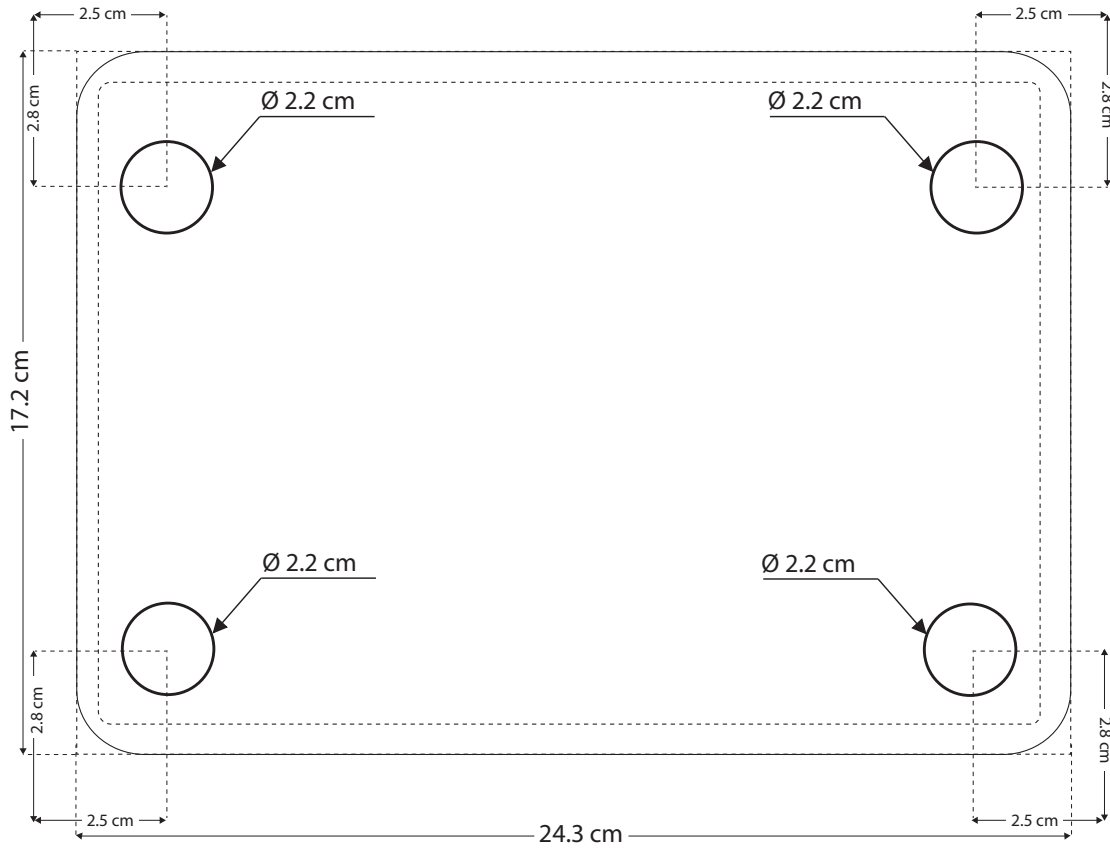
After inserting the keypad into the appropriate support hooks (point 5), slid it downwards to lock the device. Finally, stop the bottom of the device using the supplied screws.



Legend

- 1 - DIN 503 recessed box
- 2 - Metal support plate
- 3 - Plate fixing screws
- 4 - ergo T/ergo-T plus
- 5 - Keyboard bottom locking hooks
- 6 - Housing for locking screws
- 7 - Keypad fixing screws

To improve the stability of the **ergo-T plus keypad**, place the 4 adhesive rubber feet provided, as shown in the following image:



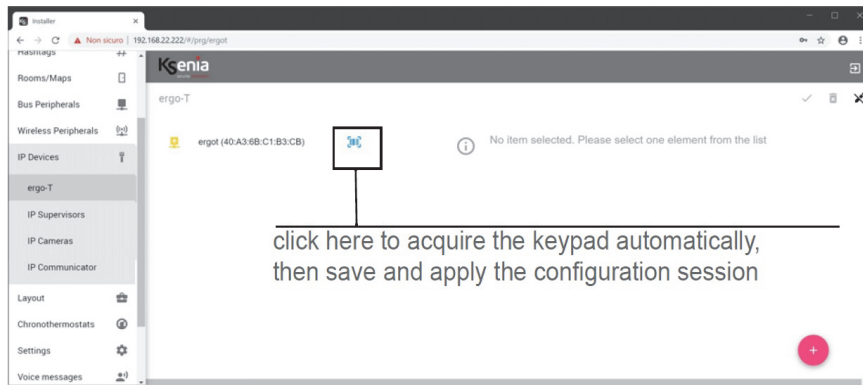
FIRST START

Remove the protective transparent film placed on the touchscreen.

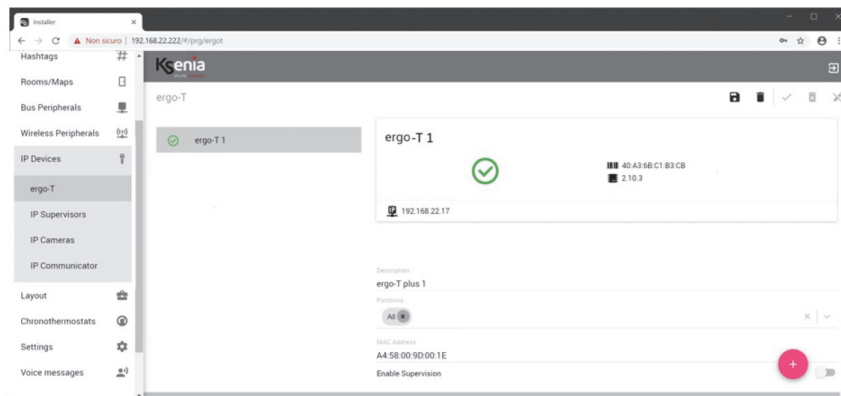
To switch on the device, press the <ON/OFF> button for five seconds (see paragraph "Product description").

Once the startup phase has finished, you can open App lares 4.0 for ergo-T / ergo-T plus.

At this point, from the "Installer" configuration program, open the menu <IP Devices -> ergo-T> where, if properly powered and connected to the motherboard, the keypad will appear as shown in the following image, the acquisition is immediate, you have to save and apply the configuration session:

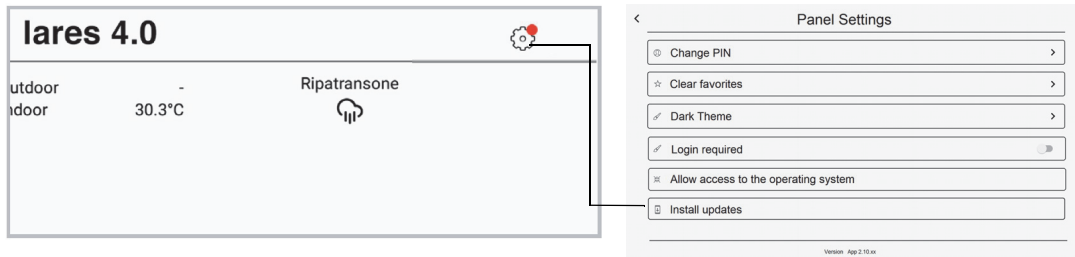


Once the configuration to the control panel has been sent, the page appears as shown in the following image and the App lares 4.0 will restart automatically on the keypad.



UPDATES

The presence of FW updates for the ergo-T and ergo-T plus is notified on the <Panel Settings> button of the App lares 4.0, press it to update. On the next page, tap on the "Install updates" field. At the end the keypad will perform a restart of the App before returning to the "Home" page.



For maintenance only: to change the network settings, open the <Panel Settings> page and click on the "Allow access to the operating system" field, enter the unlock code 051155 and access the Android OS configuration settings.

COMPLIANCE

Europe - CE, RoHS



Technical data, appearance, functionality and other product characteristics may change without notice.

ENVIRONMENTAL CARE

The product has been specifically designed and manufactured for the environment respect as follows:

1. No PVC
2. Halogen-free laminates and lead-free PCBA
3. Low consumption
4. LCD Display without mercury
5. Arsenic-free glass
6. Packaging realized mainly with recycled fibers and materials

Information for users: Disposal (RAEE Directive)

Warning! Do not use an ordinary dustbin to dispose of this equipment.

Used electrical and electronic equipment must be treated separately, in accordance with the relative legislation which requires the proper treatment, recovery and recycling of used electrical and electronic equipment.

Following the implementation of directives in member states, private households within the EU may return their used electrical and electronic equipment to designated collection facilities free of charge. Local retailers may also accept used products free of charge if a similar product is purchased from them.*

If used electrical or electronic equipment has batteries or accumulators, these must be disposed of separately according to local provisions.

Correct disposal of this product guarantees it undergoes the necessary treatment, recovery and recycling.

This prevents any potential negative effects on both the environment and public health which may arise through the inappropriate handling of waste.

** Please contact your local authority for further details.*

Installation of these systems must be carried out strictly in accordance with the instructions described in this manual, and in compliance with the local laws and bylaws in force. ergo series have been designed and made with the highest standards of quality and performance adopted by Ksenia Security. It is recommended that the installed system should be completely tested at least once a month. Test procedures depend on the system configuration. Ask the installer for the procedures to be followed. Ksenia Security srl shall not be responsible for damage arising from improper installation or maintenance by unauthorized personnel. The content of this guide can change without prior notice from KSENIA SECURITY.