

FIAMM

Industrial Batteries

FG series



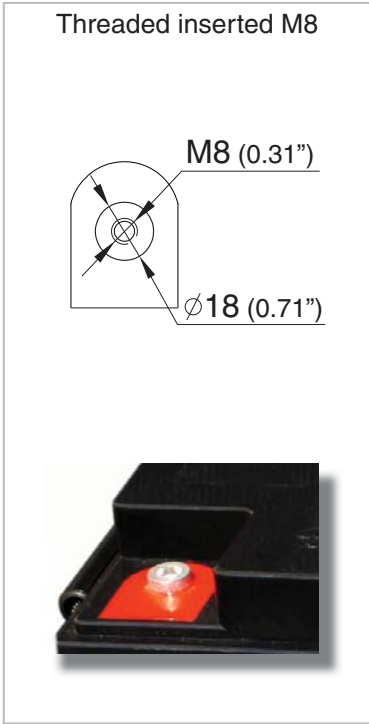
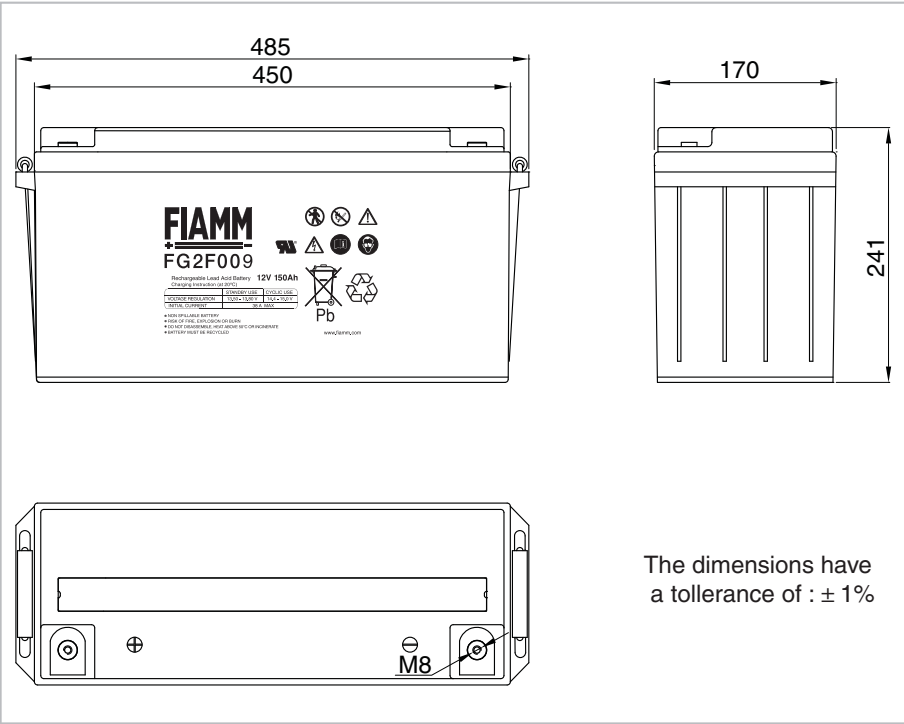
FG2F009

12 Volt 150 Ah

FG2F009 is a general purpose application battery. Within the FG range FIAMM offer 6V and 12V monoblocs at various amp hour capacities enable the right battery selection for each requirement. FIAMM is a Manufacturer of VRLA batteries and is supported by a dedicated sales network with market knowledge and experience of small sealed lead acid battery applications.

SSLA Products

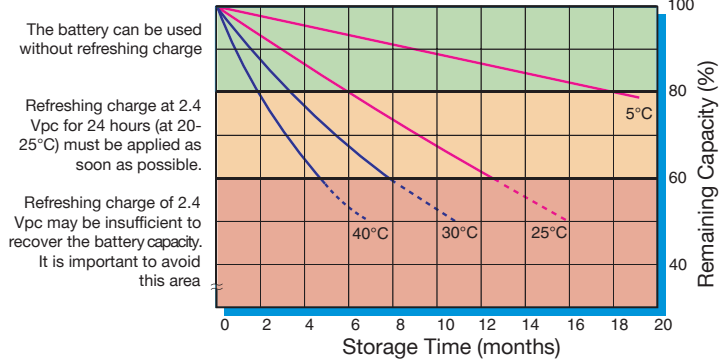
Features	
Nominal Voltage	12 Volt
Nominal Capacity	150 Ah 20 hours rate to 1.75 Vpc at 25 °C
Float charging voltage	13.50 - 13.80 V/bloc at 25 °C
Boost charge voltage	14.40 - 15.00 V/bloc at 25 °C
Float voltage compensation	-18mV/°C
Maximum charging current	37.5 A
Case	ABS with HB fiammability rate (according UL 94)
Internal resistance	2.1 mΩ in full charged condition
Weight	46.8 kg
Dimensions	L x W x H (TH): 485 x 170 x 241 (241)
Operative temperature range	-20 °C to 50 °C
Shelf life procedures	As batteries lose part of their capacity, during storage, due to self discharge. Fiamm recommends FG range of batteries can be stored for 6 months at an ambient temperature of 20 and 25 °C (see attached graph on reverse). Longer storage requires a recharge. This should be carried out in line with Fiamm recommended method; 2.4 V/cell for no longer than 24 hours at 20 °C



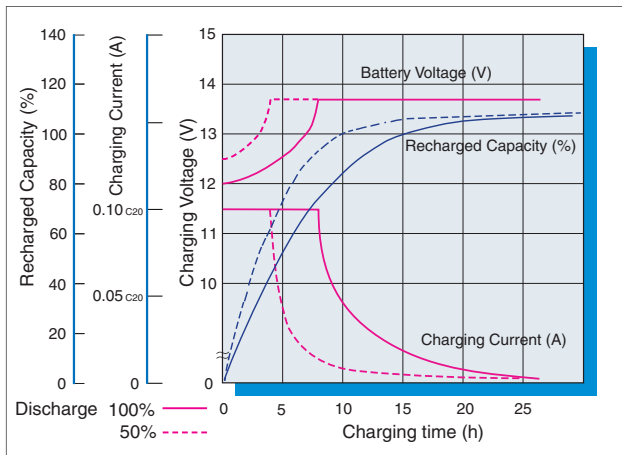
FG2F009 12 Volt 150 Ah



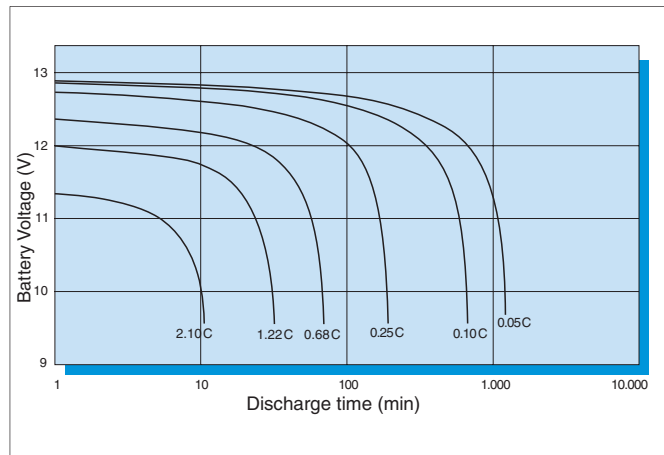
Capacity loss during storage at various temperatures



Battery Voltage and Charge Time for Standby Use (at 25°C)



Discharge curves at different current / final voltage (at 25°C)



Constant Current discharge table (Amperes)

End voltage	5 min	10 min	15 min	20 min	30 min	45 min	1 hour	2 hrs	3 hrs	5 hrs	10 hrs	20 hrs
9.60 V	484	351	284	234	174	125	98.4	54.5	38.7	25.3	14.3	7.65
9.90 V	464	339	278	228	170	123	97.0	53.8	38.3	25.1	14.2	7.63
10.02 V	449	333	272	225	168	122	96.2	53.5	38.0	24.9	14.2	7.62
10.20 V	434	326	265	222	166	121	95.4	53.1	37.7	24.8	14.1	7.61
10.50 V	405	307	251	211	161	118	93.7	52.4	37.2	24.6	13.9	7.58
10.80 V	371	284	237	202	156	114	91.1	51.4	36.4	24.0	13.7	7.31

Constant Power discharge table (Watts per bloc)

End voltage	5 min	10 min	15 min	20 min	30 min	45 min	1 hour	2 hrs	3 hrs	5 hrs	10 hrs	20 hrs
9.60 V	4990	3703	3031	2515	1891	1376	1087	610	436	287	164	88.2
9.90 V	4866	3634	3014	2487	1875	1367	1081	607	434	286	163	88.1
10.02 V	4758	3594	2964	2469	1865	1362	1078	606	433	286	163	88.1
10.20 V	4649	3554	2914	2451	1856	1356	1075	605	431	285	163	88.0
10.50 V	4420	3404	2808	2372	1822	1339	1068	602	429	284	161	87.9
10.80 V	4135	3207	2691	2300	1782	1316	1051	597	424	280	160	85.7