

GCA-C0245P

Motorized Dome Day/Night Camera, 36x Zoom, WDR



- 36x motorized optical zoom with 12x digital zoom
- High Speed Pan/Tilt (400°/sec), minimum speed (0.5°/sec)
- WDR function, Colour/B&W function with removable IR cut filter
- Digital Image Stabilization
- 650 TV Lines
- RS485 - Multiprotocol
- For indoor and outdoor use

SUMMARY

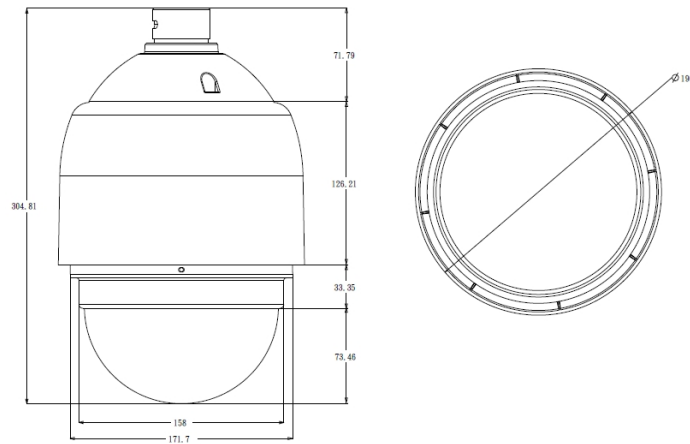
The GRUNDIG Swiftdome Cameras are suitable for both outdoor and indoor use. The robust vandal resistant housing with sun shield protects the camera not only against weather but also against physical attacks. Of course, the cameras also offer a variety of alarm inputs and a privacy zone function. Even in difficult lighting situations, the cameras are able to provide superior images. Due to the large focal length range of the zoom module and the fast rotation motor, the cameras are particularly suitable for monitoring large outdoor areas, spacious warehouses, supermarkets, or driveways. Even at great distances, individuals can be identified or perceived.

When positioned correctly, one GRUNDIG Swiftdome Camera allows you to save a multitude of fix cameras.

SPECIFICATIONS

Image Sensor	1/4" CCD (Super HAD 2 CCD)
Pixels - Total	976x582 (570k)
Resolution	650 (H) lines
Col/B&W	On/Off/Auto, IR-cut filter removable (ICR)
Sensitivity	0.08 lux (Colour) / 0.005 lux (B&W)
Zoom Ratio	x 36
Focal Length	3.4 ~ 122.4 mm
Field of View	52,8° ~ 4,59°
Aperture Ratio	F 1.6 ~ C
Lens Drive Type	Auto iris (DC)
OSD	Yes, multi language
Camera ID	20 character
Digital Zoom	Off/1 ~ 12x
BLC	On/Off
WDR	Off/Low/Middle/High
Digital Image Stabilization (DIS)	Off/On
White Balance	Auto / Manual
Number of Privacy Zones	16
Sequence	8
Cruise	8
Range Panning	360° endless
Range Tilting	-10° ~ 190°
Pan Speed	Manual: 0.5°/s ~ 90°/s, Preset: 400°/s (max.)
Tilt Speed	Manual: 0.5°/s ~ 90°/s, Preset: 400°/s (max.)
Alarm Inputs	8
Alarm Outputs	1
Protection Rating	IP66 / IK10
Operating Temperature	-40°C ~ +50°C
Humidity	less than 90%, non condensing
Supply Voltage	24 VAC
Regulation	CE, FCC, RoHS Compliant
Power Consumption	65 W
Weight	2.6 kg
Dimensions w*h*d	ø190 x 302.5 mm

DIMENSIONS



ACCESSORIES



GBR-WA02
Wall Bracket for Motor Dome Cameras



GBR-CM01
Corner Mount Adapter



GBR-PM01
Pole Mount Adapter



GBR-CE01
Pendant Mount Bracket



GBR-AM02
Adapter Ring for Pelco Pendant Mount
with 1,5" NPT thread