

SWING GATE

HR1



 **GASTOP**

Intuitive complement

to pedestrian access control system



Montage

Easier than ever.



DEVICE DESCRIPTION

The swing gates are designed for assisting pedestrian access control at guarded passage ways, inside buildings and on the outside (under roofing). Devices are intended for cooperation with electronic systems of pedestrian traffic and personal access control as supplementary devices to turnstiles for passage ways where strict access control is not required and wide passage way is a key factor.

Each version can be composed of stainless steel arm (HRI-M/A) or glass arm (HRI-M/A-S).

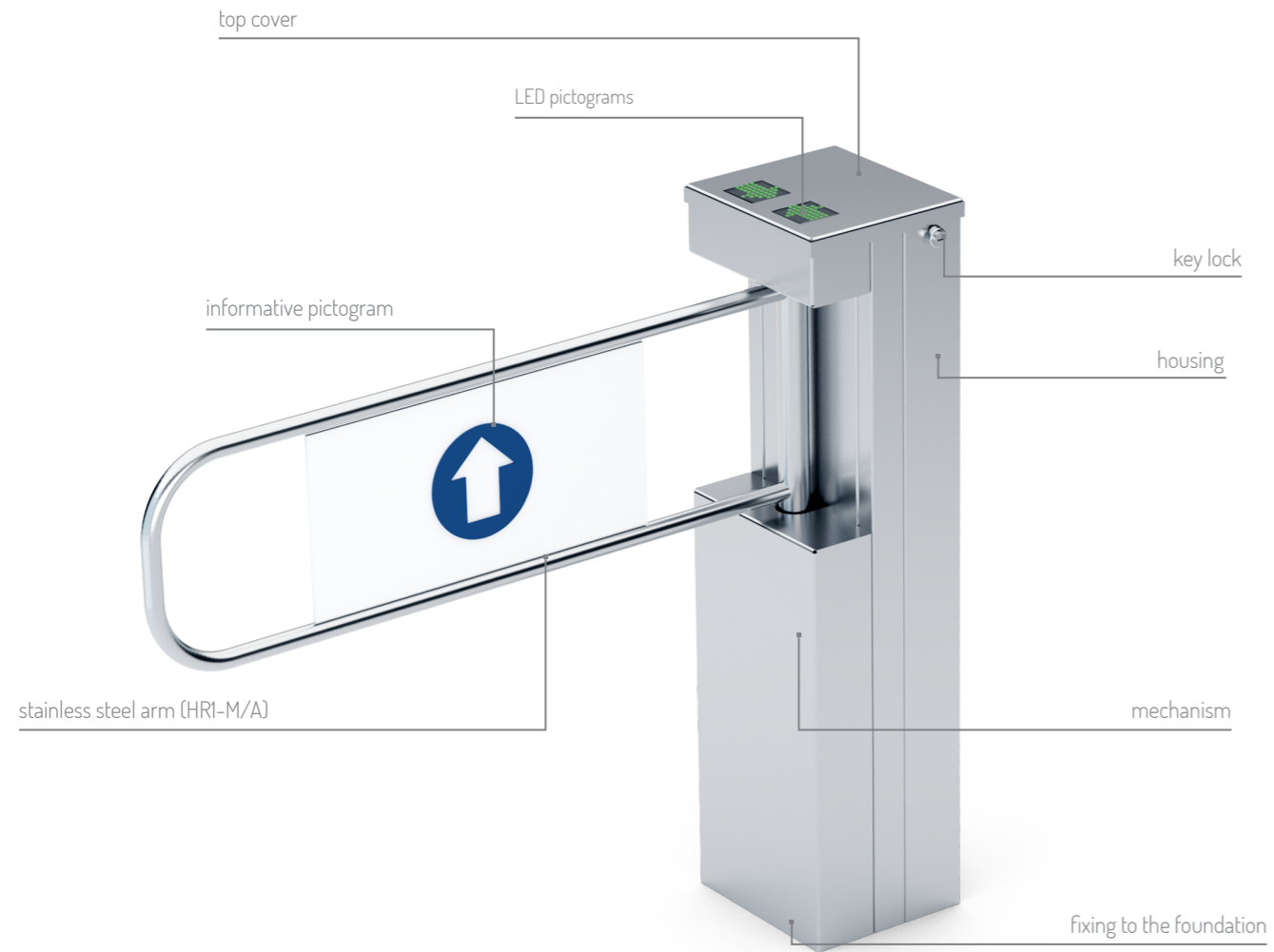
Examples of use:

- points of ticket control/access control and passenger traffic,
- authorised personnel only passage ways, as well as directing passenger traffic,
- points of ticket control and fees e.g. to sports facilities, show facilities, exhibition halls, theatres, cinemas, access and time attendance
- control points in working places e.g. dedicated areas in factories, offices.

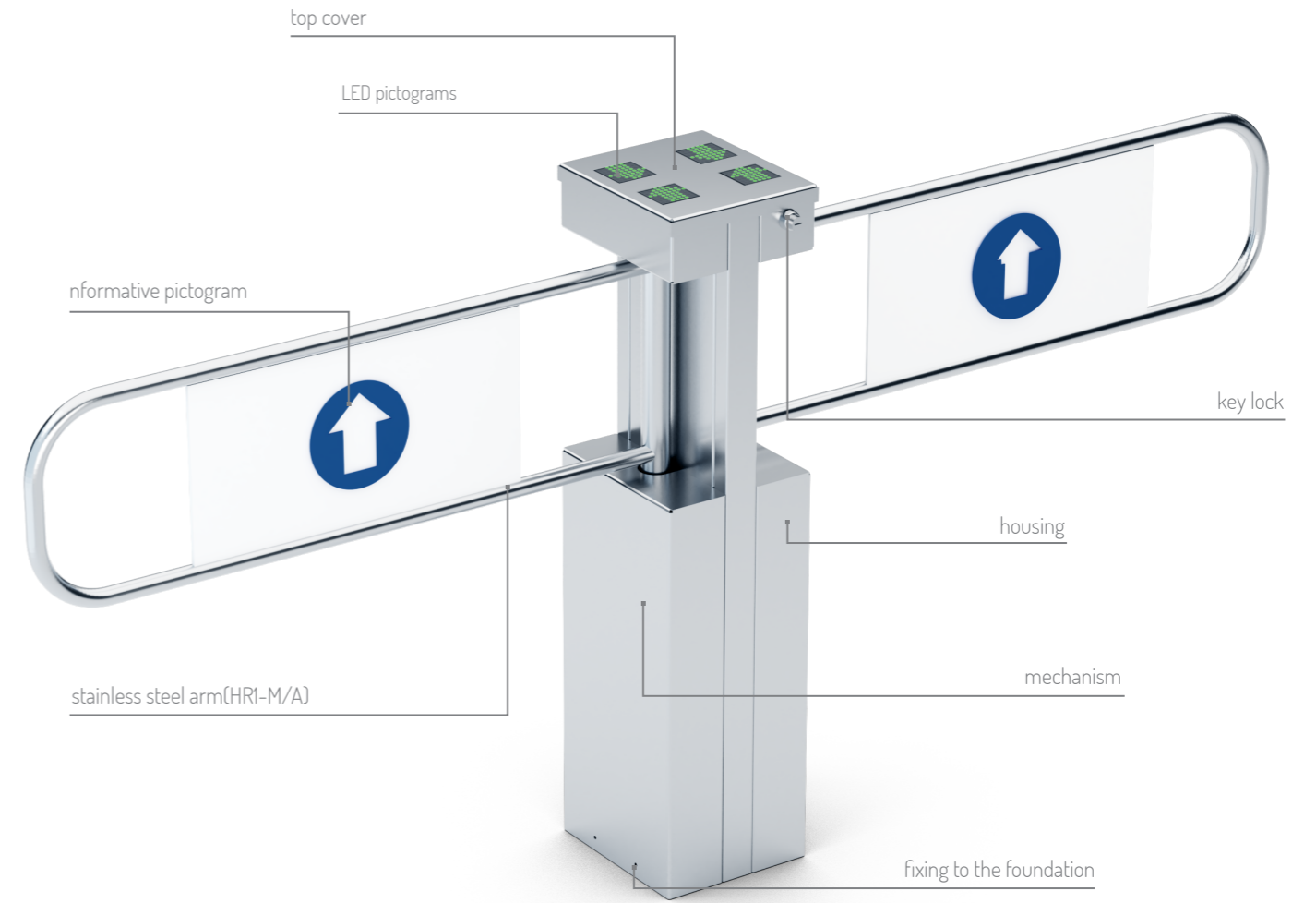


Accompaniment of the effective access control

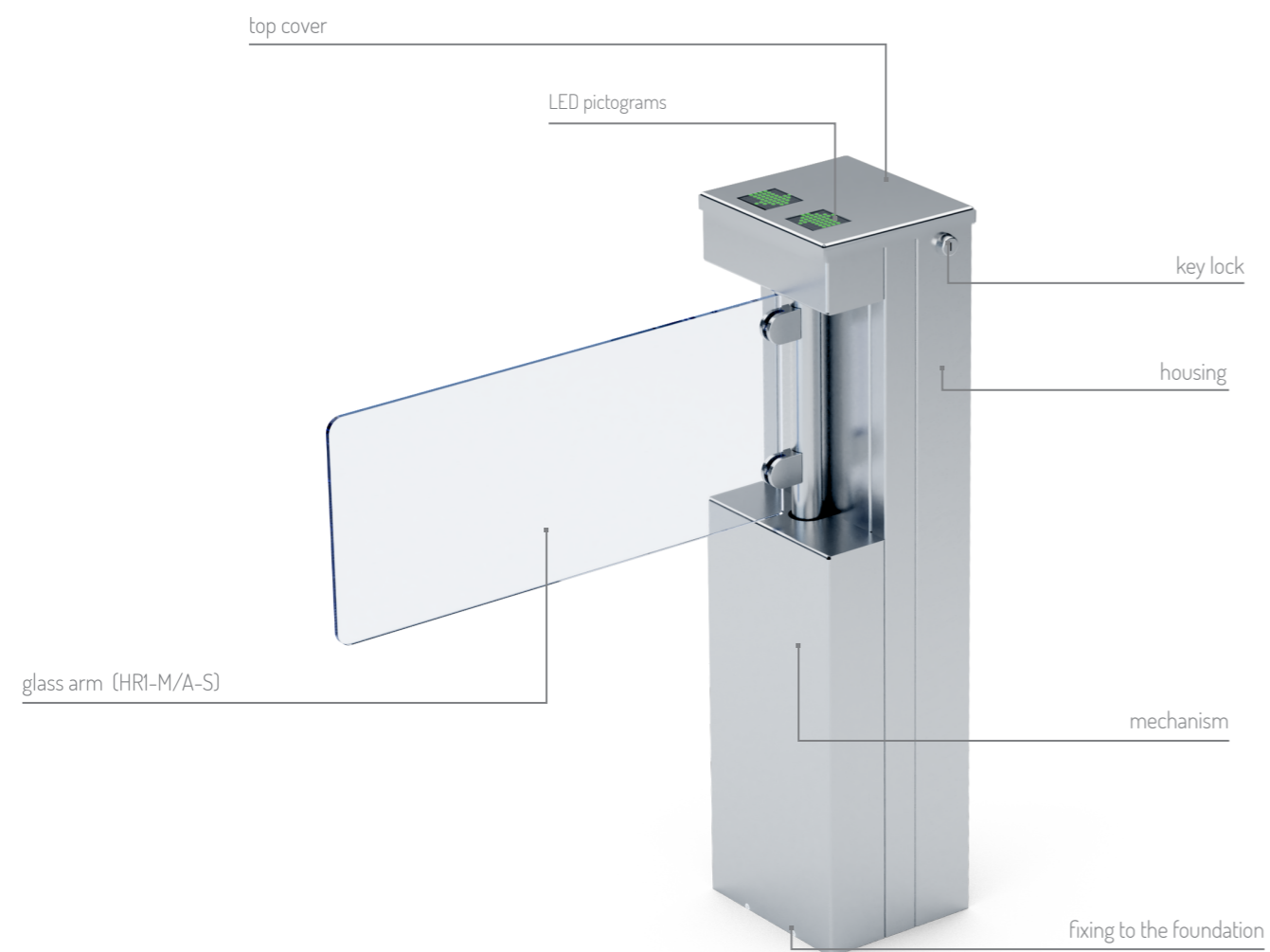
DEVICE'S DESCRIPTION HR1-M / HR1-A



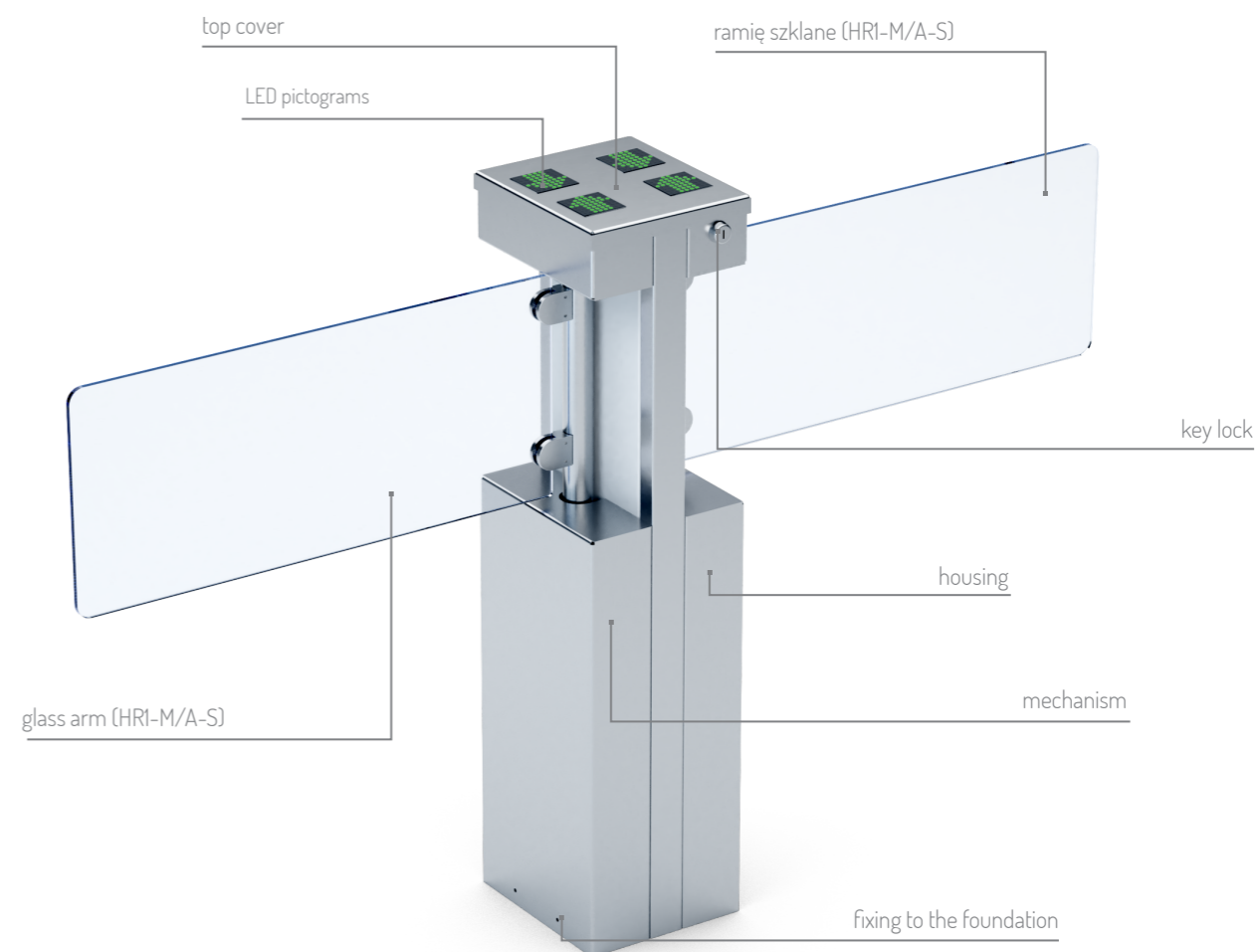
DEVICE'S DESCRIPTION HR1-M2 / HR1-A2



DEVICE'S DESCRIPTION HR1-A-S



DEVICE'S DESCRIPTION HR1-A2-S

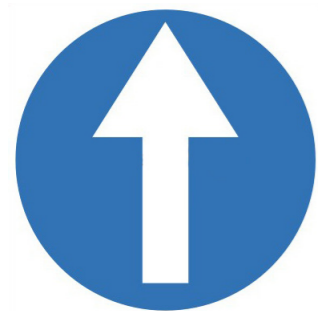


TYPE OF FINISHING

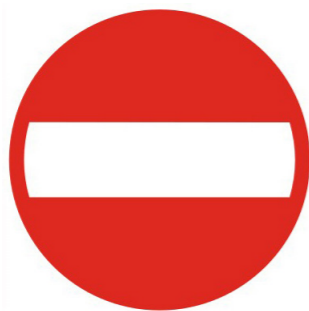


Stainless steel - INOX AISI 304

TYPE OF PICTOGRAMS

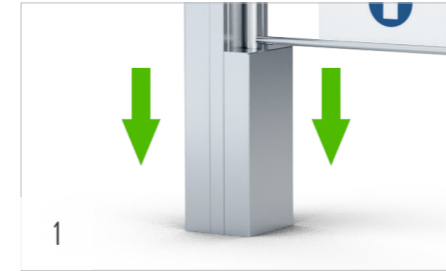


included with the device



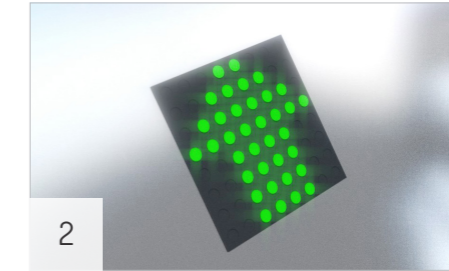
included with the device

FUNCTIONS



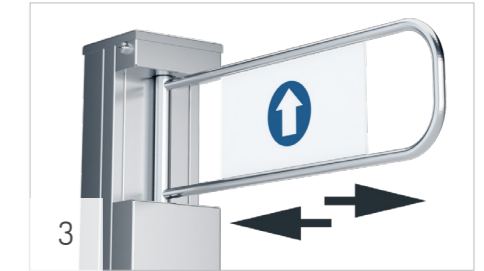
1. EASY INSTALATION

The construction of the device enables mounting it to the foundation without dismantling any part of the device.



2. LED PICTOGRAMS

Visual signalling (diode pictograms) informs about traffic directions being turned on and turned off within the passage section. A red cross informs that the traffic direction is turned off/locked (the device disables a passage of a person); a green arrow informs that the traffic direction is turned on.



3. BIDIRECTIONAL MOVEMENT

The device enables work in various modes, eg: control of passenger traffic for both directions or control of passenger traffic for any chosen direction of movement.



4. VERIFYING THE ARM'S POSITION

Device is equipped with measurement system to verify the position of the arm.



5. ARMS BLOCKING SYSTEM

The device is equipped with arms blocking system having overload function. In case of applying extensive force to the arm this function releases the arms blocking system.



6. SUPPORTING ARMS ROTARY MOTION

The mechanism of the device is equipped, depending on the model, into an electromechanical (HRI-A) or mechanical (HRI-M) arm rotation.

TECHNICAL PARAMETERS

ELECTRONIC CIRCUIT

- Steering input for the first traffic direction (e.g. for connecting the reader and steering button).
- Steering input for the second traffic direction (e.g. for connecting the reader and steering button).
- Possibility to set the device operation modes.
- Sound signaling.

DEVICE'S VERSIONS

Indication's description	HRI	Model (M/A)	Type of arm (L/S)
Example of indication	HRI	A	S

Description of the example indication:

- HRI-M-S - series HRI, model A (automatic), version with glass - S

M - manual (no arm supporting motor)

A - automatic (arm supporting motor)

S - glass arm

NOTE: Standard finishing is stainless steel AISI 304 (INOX).

DEVICE'S INDICATION BASED ON THE TYPE OF THE HOUSING FINISHING

Model	Type of housing finishing
HRI-M-S	INOX/RAL...

Examples of indication:

- HRI - A-S - RAL5010 - swing gate HRI - A - S powder coated steel finishing colour RAL5010.
- HRI - A-S - INOX - swing gate HRI - A - S stainless steel AISI 304 finishing

OPTIONAL EQUIPMENT *

Name	Description
Power supply	Power supply 230/24V or 110/24V
Control panel	Control panel designed for manual steering of the gate

*Optional equipment is not included with the device.

CONSTRUCTION:

- Simplified assembly to the foundation with glued anchor bolts (bolts are not included)

PARAMETERS

Power Supply voltage*:	-24VAC
Maximum power consumption: *:	60 VA
Maximum current consumption*:	2,5 A
Steering signal:	(max. 0,5 sek)
Feedback signal:	NO/NC
Operation temperature:	-25° do +50° C [-13° to 122°F]
Storage temperature:	-30° do +60° C [-22° to 140°F]
Maximum humidity:	80 %
Operation environment:	inside buildings
IP protection rat.:	IP 33
Net weight [HRI-M] - [kg/lbs]:	-46/ -101

* - given data refers to a single gate mechanism, in the case of models with two arms (mechanisms), parameters for two mechanisms should be taken into account.

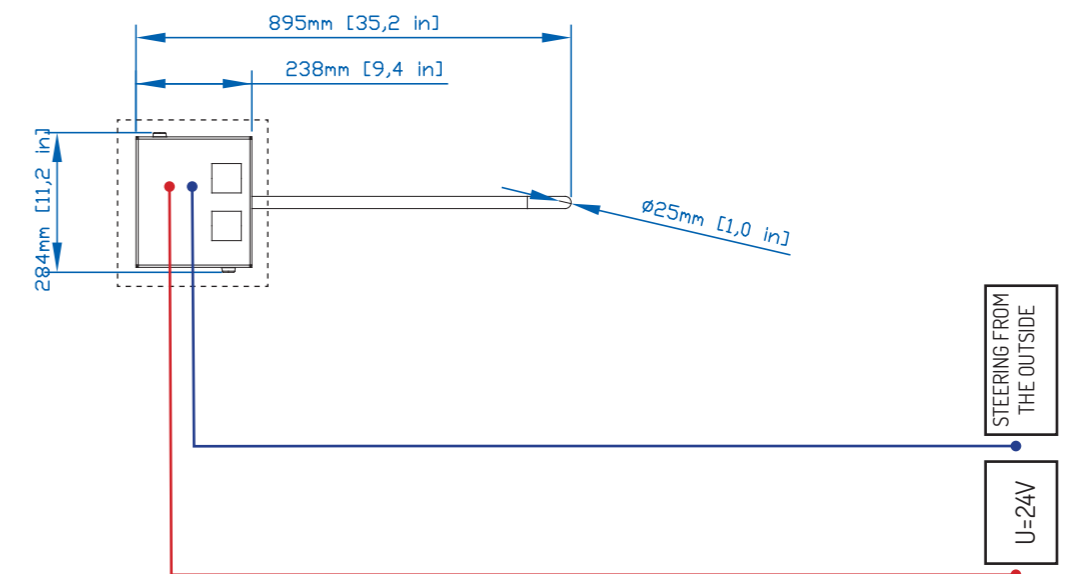
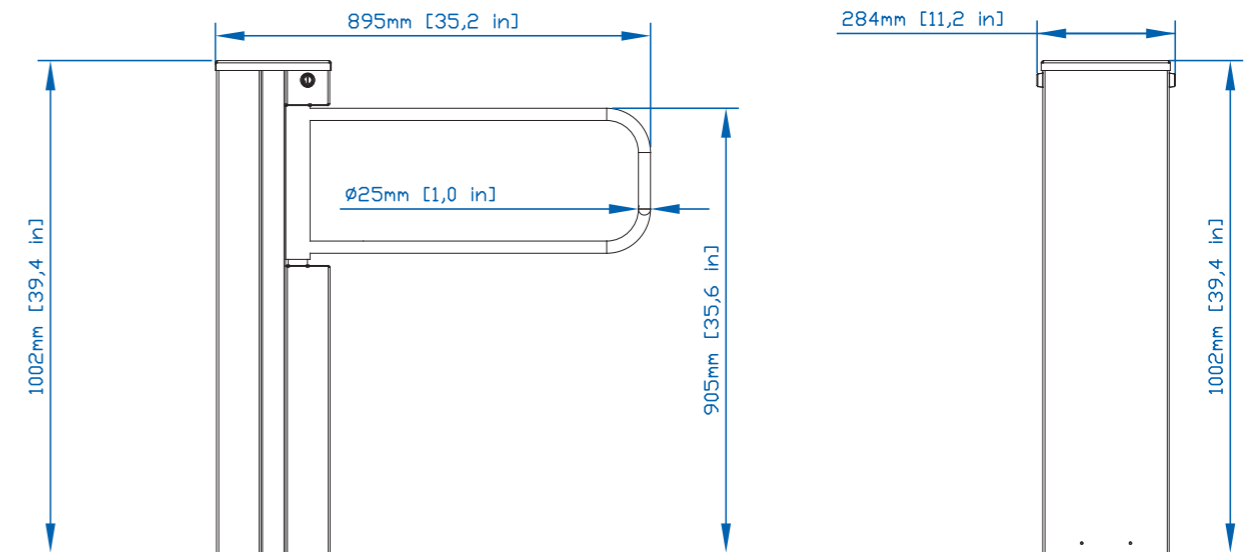


Materials and instructional videos are available at www.gastopgroup.com.

All information given herein are valid for the moment of publishing. GASTOP reserves the right to introduce changes to the offer herein, concerning both the models as well as their construction and equipment. This document does not constitute an offer as understood by the law and is published for information only. Equipment versions presented in this catalogue may not be available. Visualisations and photos of products presented herein may not show technical solutions adopted, properties of materials or colours used in detail. In order to define the above mentioned parameters, it is advised to turn to an authorised distributor or the device producer directly for more information.

All rights reserved to Gastop Production Sp. z o.o.

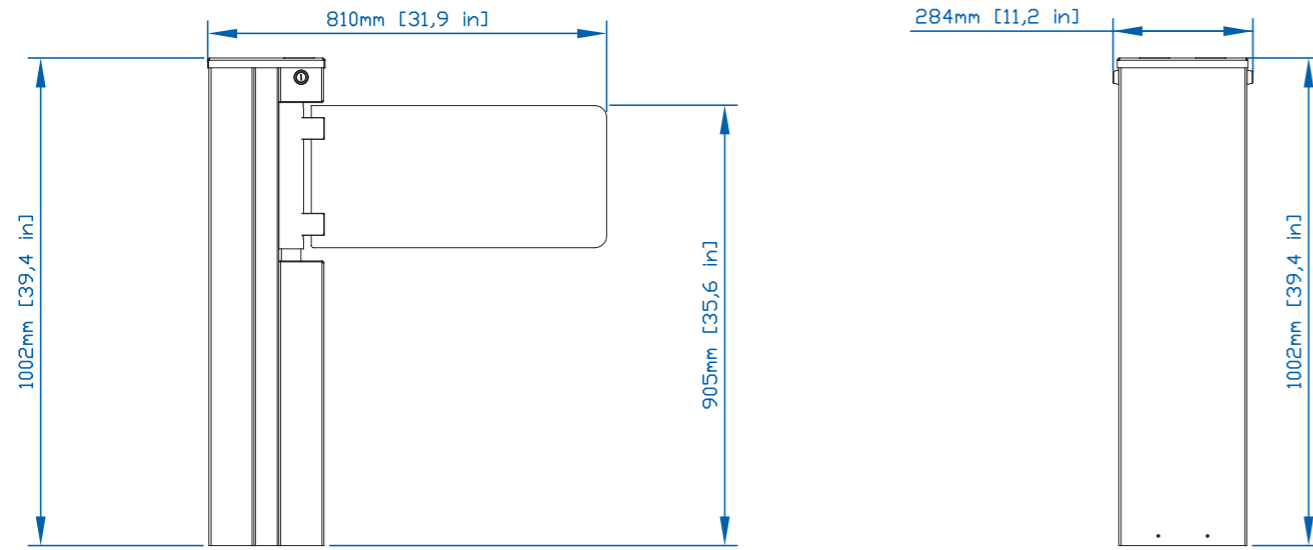
DIMENSIONS - HRI-M/A



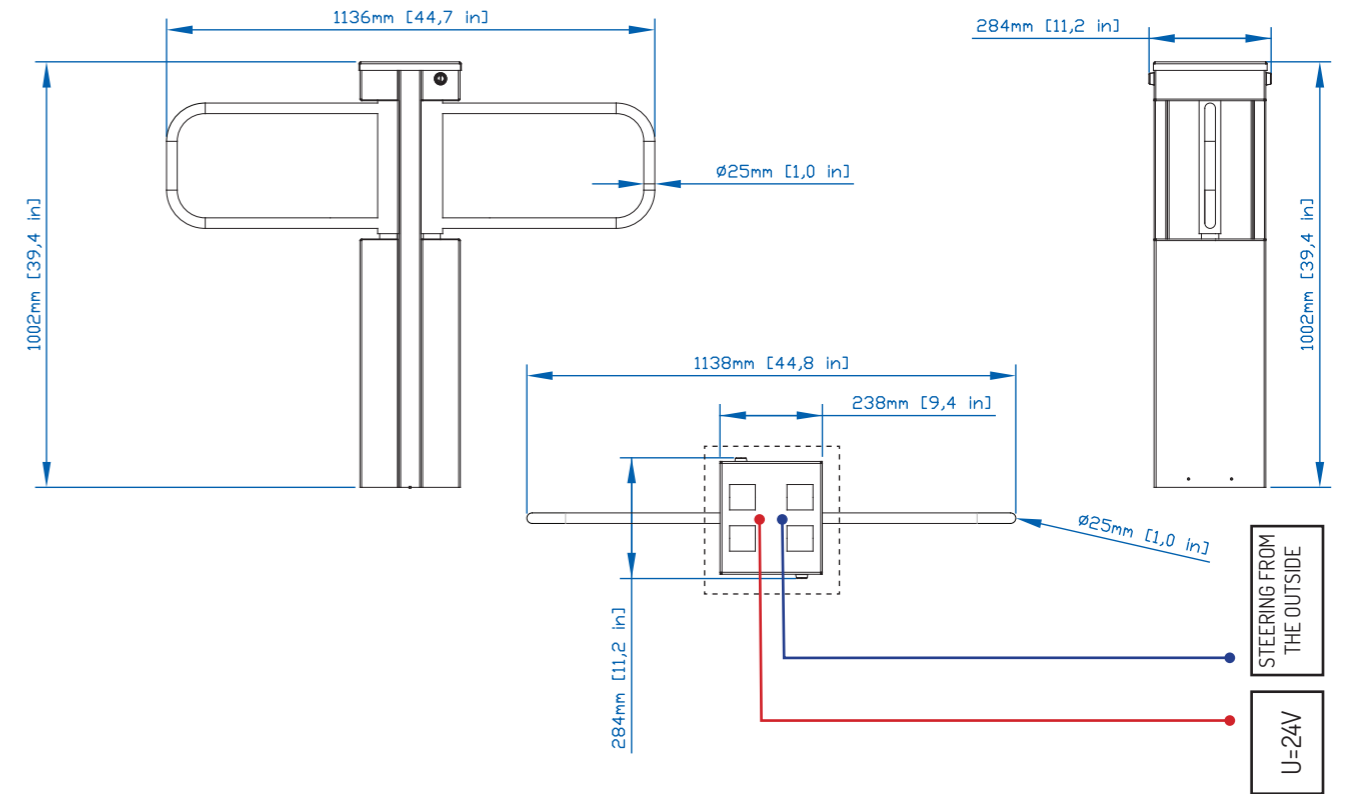
MAP KEY:

- Steering from the outside - twisted pair cable S/UTP
- Power supply 24V - Wire OMY 3x1,5mm
- Foundation

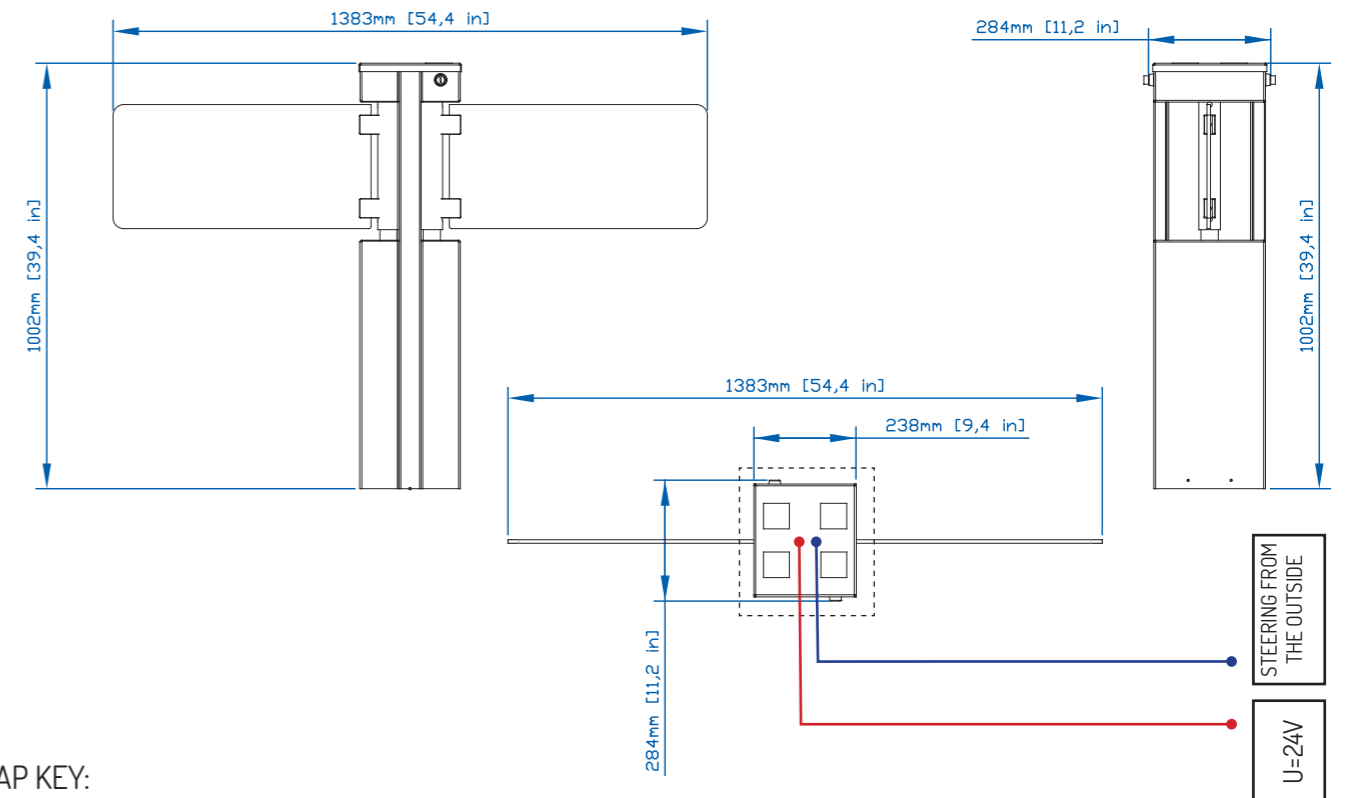
DIMENSIONS - HR1-A-S



DIMENSIONS - HR1-M2/A2



DIMENSIONS - HR1-A2-S



MAP KEY:

- — Steering from the outside - twisted pair cable S/UTP
- — Power Supply 24V - wire 0MY 3x1,5mm
- Foundation

MAP KEY:

- — Steering from the outside - twisted pair cable S/UTP
- — Power supply 24V - Wire 0MY 3x1,5mm
- Foundation



EU: GASTOPGROUP.COM
USA: GASTOP.US

Dystrybutor

MADE IN E.U.