

# HD Vari-Focal (2.8-12mm)

## YV4.3x2.8SA-SA2



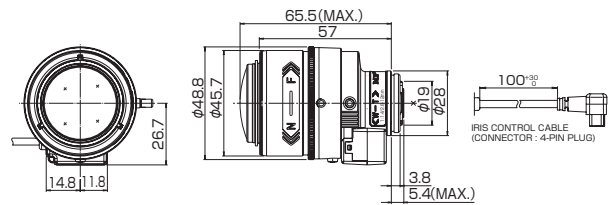
**4.3x** Applicable camera (model) 1 2/3 1/2 1/3 1/4 **For Security**

**HD**  
**3MP**

Vari-Focal Wide Angle Telephoto Long Focal DC Auto Iris CS Mount Metal Mount ND Filter Long Cable Aspherical Lens Large Aperture Ratio

**VARI** **WIDE** **TELE** **DC** **CS-mt** **METAL** **ND** **230** **AT** **F1.4**

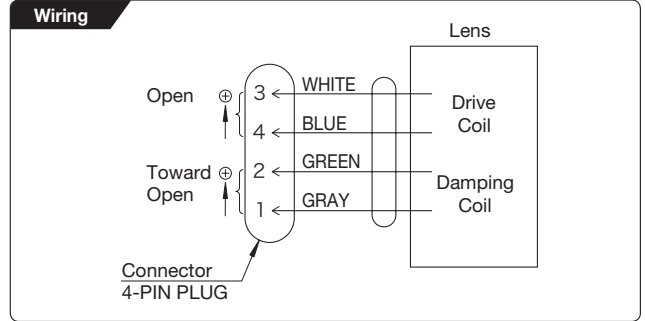
RoHS Compliant  
**RoHS**



Unit : mm

### YV4.3x2.8SA-SA2

Focal Length (mm)		2.8 - 12 (4.3x)	
Iris Range		F1.4 - T360(Equivalent to F360)	
Operation	Zoom	Manual	
	Focus	Manual	
	Iris	Auto (DC type)*1	
Angle Of View (HxV)	1/3"	WIDE	100°02' × 74°03'
		TELE	23°26' × 17°36'
	1/4"	WIDE	74°03' × 55°06'
		TELE	17°36' × 13°13'
Angle Of View (HxV) Aspect Ratio 16 : 9	1/3"	WIDE	109°33' × 60°80'
		TELE	25°31' × 14°23'
	1/4"	WIDE	80°56' × 44°51'
		TELE	19°10' × 10°48'
Focusing Range (From Front Of The Lens) (m)		∞ - 0.3	
Object Dimensions at M.O.D. (HxV) (mm)	1/3"	WIDE	753 × 476
		TELE	131 × 98
	1/4"	WIDE	476 × 329
		TELE	98 × 73
Object Dimensions at M.O.D.(HxV) (mm) Aspect Ratio 16 : 9	1/3"	WIDE	895 × 365
		TELE	143 × 80
	1/4"	WIDE	538 × 260
		TELE	106 × 60
Back Focal Distance (in air) (mm)		7.83	
Exit Pupil Position (From Image Plane) (mm)		455	
Filter Thread (mm)		-	
Mount		CS	
Mass (g)		80	
Coil Resistance		Drive Coil	190Ω
		Damping Coil	500Ω
Current Consumption		23mA(Max.) at DC 4V	
Remarks		•With Metal Mount (*1) When power is turned off, iris will automatically close. YV4.3x2.8SA-SA2L : Long Cable Type(230mm)	



### [Lens Image]

