

# TV Flex S

Full Movement TV Wall Mount

## Main Features

- Full movable for the perfect view from every perspective
- Secure hold for small to medium-sized TV sets
- Space-saving attachment on the wall
- Simple and quick installation with enclosed spirit level
- Integrated cable management



 Carbon  
Neutral  
green.arctic.ac

[www.arctic.ac](http://www.arctic.ac)



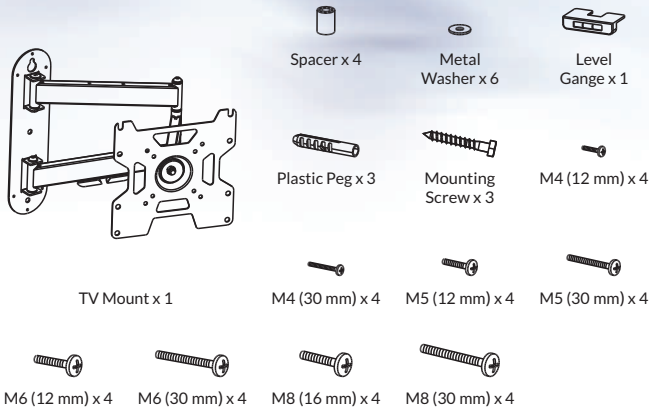
# TV Flex S

## Full Movement TV Wall Mount

The **TV Flex S** brings limitless TV enjoyment in your home. The full-motion wall mount offers a perfect view at the screen from every perspective.

Specifications	
Material	Steel
Screen Size	22"-55"
Maximum Load	25 kg/55 lbs
Rotation	360°
Swivel	180°
Tilt	+/-15°
Distance between Wall and TV	41-498 mm
Weight	2.54 kg

### Package Contents



### VESA Compatibility (W x H in mm)

	75 x 75	100 x 100	100 x 200	200 x 100	200 x 200	200 x 300	280 x 150	300 x 200	300 x 300	400 x 200	400 x 300	400 x 400	600 x 200	600 x 400	600 x 600	800 x 400	800 x 600	800 x 800	
TV Basic S	X	X		X	X														
TV Basic L	X	X	X	X	X	X	X	X	X	X	X	X	X	X	X	X	X	X	X
TV Flex S	X	X	X	X	X														
TV Flex L			X		X	X	X	X	X	X	X	X	X	X	X	X	X	X	X

# TV Flex S

## Full Movement TV Wall Mount

### Full Movable for the Perfect View



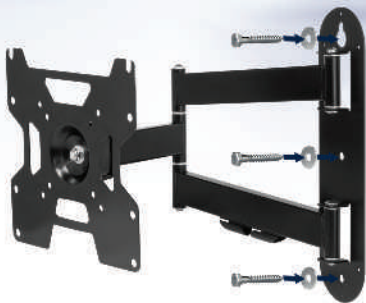
The TV Flex S brings limitless TV enjoyment in your home. The full-motion wall mount offers a perfect view at the screen from every perspective.

### Space-Saving Attachment on the Wall



You can adjust the distance between the Wall and the Monitor from 41 to 498 mm. Thus, the TV Flex S saves you space and simultaneously creates an optical highlight in your living room.

### Simple and Quick Installation



In almost no time at all, the lightweight holder is mounted on the wall. All you need for installation, is a power drill. An enclosed water level ensures an optimal adjustment.

### Cable Management



An intelligent cable management cares for a clean sorting of your electronic connections to the TV screen and prevents annoying cable clutter.

### Secure Hold through Lock System for Medium-Sized TV Sets



The TV Flex S holds your TV, which can weigh up to 25 kg, safely on the wall. With this TV wall mount, screens with a size from 22" to 55" will find their well-deserved place.