



IndigoVision



4MP Microdome Camera

Amazing 4 Megapixel video that delivers every detail

Part of IndigoVision's professional BX Range, the 4 Megapixel (4MP) Microdome Camera (BX430) delivers pin sharp detail at 4MP resolution that is fully ONVIF conformant. Any single point of failure in the system is removed through IndigoVision's Distributed Network Architecture (DNA).

Key Features

SENSOR

4MP


WDR

COMPRESSION

H.264

**UP TO
30fps**


G.711

INTELLIGENCE


Analytics

OTHER


DNA


PoE


ONVIF

PHYSICAL


Outdoor

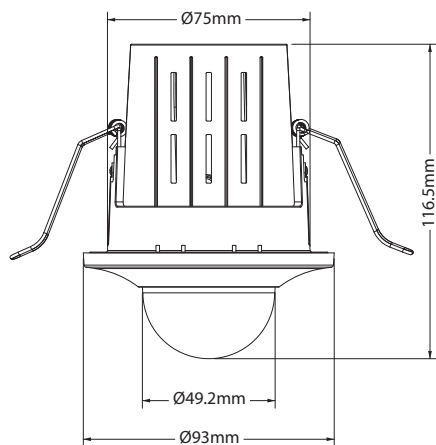

Integral Mic


IR

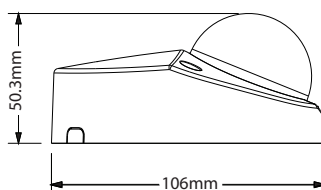
Product Codes

4MP Microdome Camera (PAL)	Camera
BX430 4MP In-Ceiling Microdome Microdome	611430
BX430 4MP Vandal Resistant Microdome with IR	611470

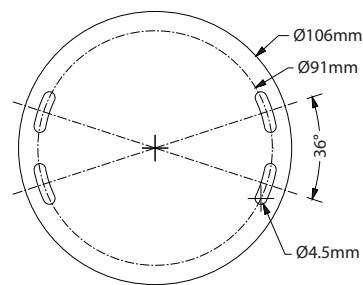
Dimensions -In-Ceiling/VR



View on Side Face (In-Ceiling)



View on Side Face (VR)



View on Top Face

Specification

Camera Features	In-Ceiling	Vandal Resistant
Sensor	1/3" Progressive CMOS	
Active Pixels (HxV)	4MP (2688x1520)	
Horizontal Resolution	> 1000 TVL	
Minimum Sensitivity	0.1 lux (colour), 30 IRE, F2.0, 1/3s shutter 0.04 lux(b/w), 30 IRE, F2.0, 1/3s shutter	0.1 lux (colour), 30 IRE, F2.0, 1/3s shutter 0.04 lux(b/w), 30 IRE, F2.0, 1/3s shutter 0 lux (IR, F2.0) with IR
IR	n/a	Built-in IR Illuminator 850nm wavelength, effective distance >20m
Dynamic Range	BLC, HLC, 120dB WDR	
Gain Control	Auto/Manual	
Back Light Compensation	On/Off/Custom ROI	
White Balance Mode	Auto/Manual	
Day/Night	Auto	True Day/Night with Mechanical IR Cut Filter
Video Resolution	2688 x 1520 (4MP), 2560 x 1440, 2304 x 1296 (3MP), 1920 x 1080 (1080P), 1280 x 960 (1.3MP), 1280 x 720 (720P)	
Signal/Noise Level	> 50dB	
Lens Options	2.8mm F2.0 Fixed Iris Horizontal view 104°	2.8mm F2.0 Fixed Iris Horizontal view 104°
Shutter	Rolling; Auto from 1 to 1/10000 sec	
Exposure Control	Auto/Manual/Slow AE	
Gimbal Adjustment	three axis adjustment	
Video Compression	Full frame rate, full colour: H.264/MJPEG; up to 30fps @ 1080p resolution; up to 30fps @ 4MP resolution	
Video Bit Rate	User-configurable bit rates from 24Kbps up to 10Mbps	
Video Multi-Streaming	Up to 32Mbps total video output; Unlimited multicast connections. Up to four 8Mbps unicast connections; Up to sixteen 1Mbps unicast connections	
Video Multi-Encoder	Two simultaneous resolutions including: up to 4MP (30fps) plus 1080p (9fps) or 720p (21fps) or 4SIF (30fps) or lower Or two simultaneous resolutions including: up to 3MP (30fps) plus 1080p (25fps) or 720p (30fps) or lower Or two simultaneous resolutions including: up to 1080p (30fps) plus 1080p (30fps) or lower	
Video Analytics	Motion Detection, Hooded, Tripwire, Intrusion, Abandoned, Missing	
Audio Compression	G.711/AAC	
Audio Bit Rate	Non user configurable, G.711 64Kbps - 80Kbps, AAC 16Kbps - 40Kbps	
Audio Resolution	G.711 8kHz sample rate, AAC 8,16,32,48kHz sample rate, Mono input	
Audio Input	Built-in microphone	
Network Interface	IEEE802.3 and IETF standards: 10/100 Base-T Ethernet, TCP, UDP, RTP, RTSP, ICMP, IGMP, SNMP, HTTP, HTTPS, PPPoE, uPnP, QoS, DHCP	
Network Security	HTTPS / IP Filter / IEEE 802.1x	
Time	Embedded real-time clock, NTP client	
SD Storage	microSDHC 128GB support (card not included)*	
Regulatory	EN55032 Class A, EN55024, EN50130-4, EN61000-3-2, EN61000-3-3, EN61000-4-2, EN61000-4-3, EN61000-4-4, EN61000-4-5, EN61000-4-6, EN61000-4-8, EN61000-4-11, FCC Part 15 Subpart B Class A	
Electrical	PoE (802.3af Class 0); 4W Power supply ordered separately (Product code: 110068)	PoE (802.3af Class 0); 4W
IndigoVision Software Requirements	Control Center v15.1 or later	
Supported Internet Browsers	Internet Explorer v11.0 or later	
ONVIF	Profile S	
Dimension/Weight	93mm X 116.5mm and 0.37kg	106mm X 50.3mm and 0.44kg
Housing	Polycarbonate/ABS with polycarbonate dome	Metal with polycarbonate dome including 500mm cable bundle
Protection Rating	IK08	IP67 / IK10 (IEC 62262)
Operating Temperature	-10°C to 45°C(14°F to 113°F)	-20°C to 60°C(-22°F to 140°F)
Cold Start	-10°C	-20°C

* SD Card Storage independent of IndigoVision's NVRs.