

CHXC Liquid Cooled Stainless Steel Housing



CHXC – Liquid Cooled Stainless Steel housing

*Stainless Steel housing AISI316L,
Liquid cooled, Tempered or Vycor® glass,
Air barrier option, Wall mount bracket*

DEVELOPED FOR INDUSTRIAL APPLICATIONS

Sturdy construction entirely made of
AISI316L Stainless Steel

SUITABLE FOR HARSH ENVIRONMENT CONDITIONS

Can be equipped with air barrier flange to
clean the glass window where water cannot
be used

RESISTANT TO EXTREMELY HIGH TEMPERATURES

Housing suitable up to 130 °C degrees with
standard tempered glass or up to more than
400 °C degrees with Vycor® glass (optional).

ADAPTORS AVAILABLE FOR ANY KIND OF INSTALLATION

Wall, ceiling, pole and corner mount adapters



tekno system®
Italian design for CCTV since 1979

Tekno System S.p.A.
Via Rostoncello, 1 - 36010 Carrè – Italy
Phone: +39 0445 314324 | Fax: +39 0445 314319
Email: info@teknosystem.eu | Web: www.teknosystem.eu

rev. 130112

Page 1 / 6






TECHNOLOGY HIGHLIGHTS

<ul style="list-style-type: none"> - IP68 at 10 meters depth - Stainless steel AISI 316L - Air barrier flange 	<ul style="list-style-type: none"> - Resourceful engineering design and high standard materials guarantee the total protection of the camera in the harshest environmental conditions. 	<ul style="list-style-type: none"> - Special Vycor® glass available - IR filters available
--	---	--




MODELS

ORDER CODE	IP Rate	Air barrier flange
CHXC	IP68 at 10m	-
CHXC+BAX	IP68 at 10m	●

ACCESSORIES

EL	Camera height adjustment kit	
ALX	Camera power supply (12V or 24V~)	
BAX	Air barrier flange (requires an Air Filter Group)	
BWXHX	Wall bracket with swivel	
GFA	Air Filter Group (for BAX)	
FH	Infrared Filters Holder (up to 3 filters)	
IR	Infrared Reflection Filter (Max one per camera housing; to be installed faced to the window)	
FA	Infrared Absorption Filter (Max two per camera housing; to be installed after the Infrared Reflection filter)	
VV	Vycor® glass for high temperatures (only with BAX)	

RELATED PRODUCTS

PAX	Stainless steel Pole Mount Adapter	
CMX	Stainless steel Corner Mount Adapter	
CBX	Ceiling Mount Adapter for BWXHX	



LIQUID COOLING

By forcing water circulation (or a cooling liquid or compressed air) inside the cilindric shaped interspace that divide the outer tubolar surface from the inner one, it is possible to mantain cooled the housing internal room.

It is convinient to verify which are the available features of flow capacity and cooling liquid temperature before proceeding with the installation.

It is possible to realize a closed cooling circuit, namely with ri-cicling and cooling of the liquid, or an open circuit, with water to loose.

To protect the CCD camera sensor from the strong radiance from infrared components, it is available as an option a filter holder (FH) that can host up to 3 infrared filters to set in front of the camera lenses.

For particularly high temperatures (above 130°C) is however suggested the use of a Vycor ® glass together with suitable, proper gaskets.

For a good thermic efficiency, before installation it is necessary to verify the environment temperature as well as the cooling liquid temperature at the delivery and install the housing at the correct distance from the heating source.

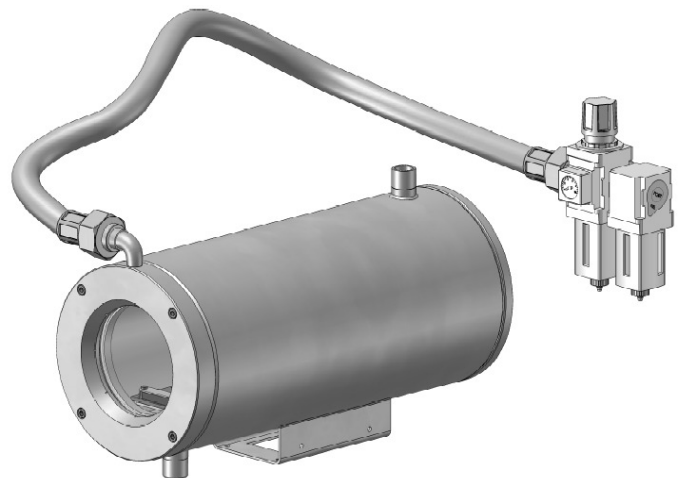


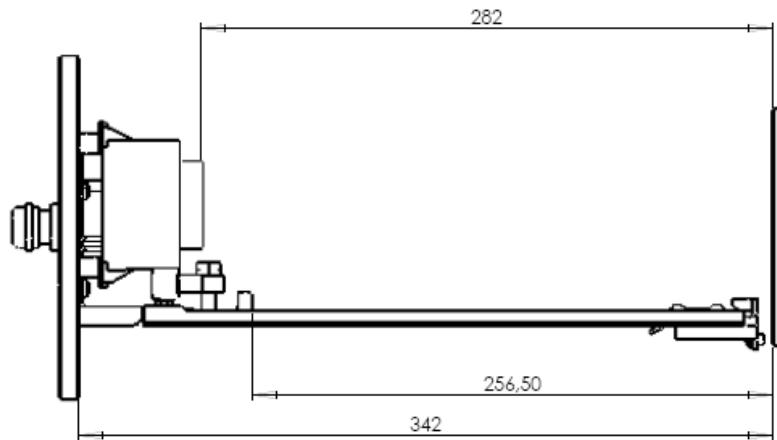
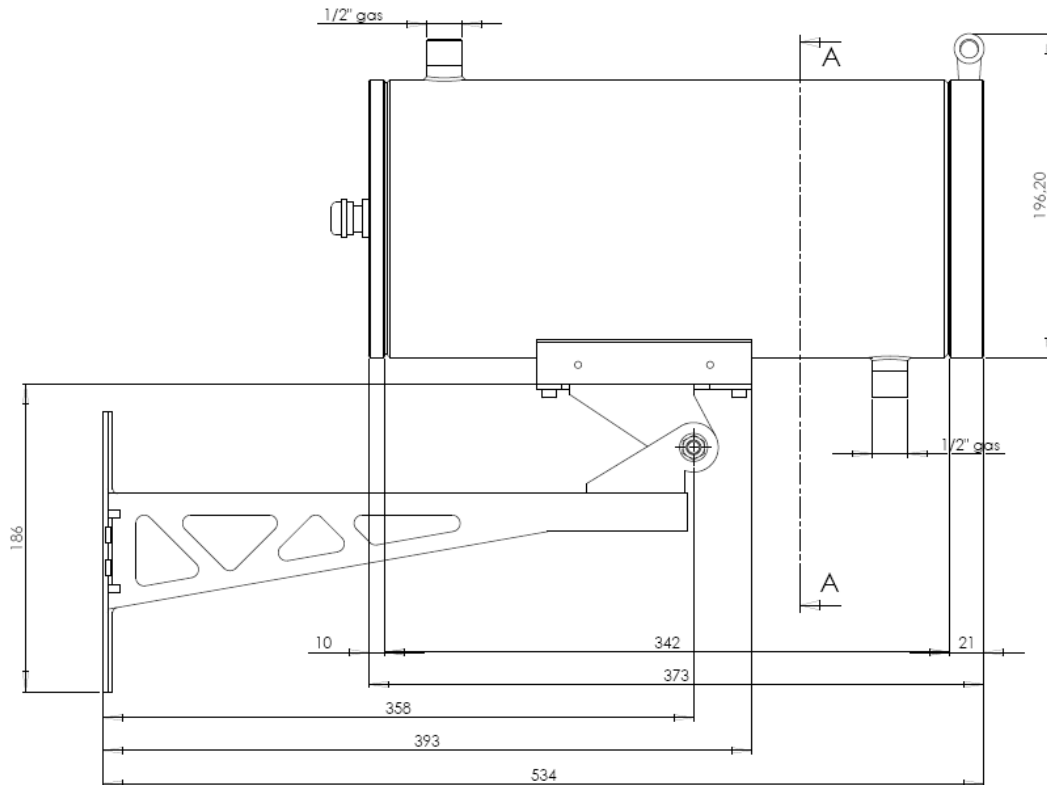
The optional BAX flange for glass cleaning creates an air barrier on the glass front of the housing in order to prevent the deposit of dust on the outer surface of the glass by keeping it ventilated.

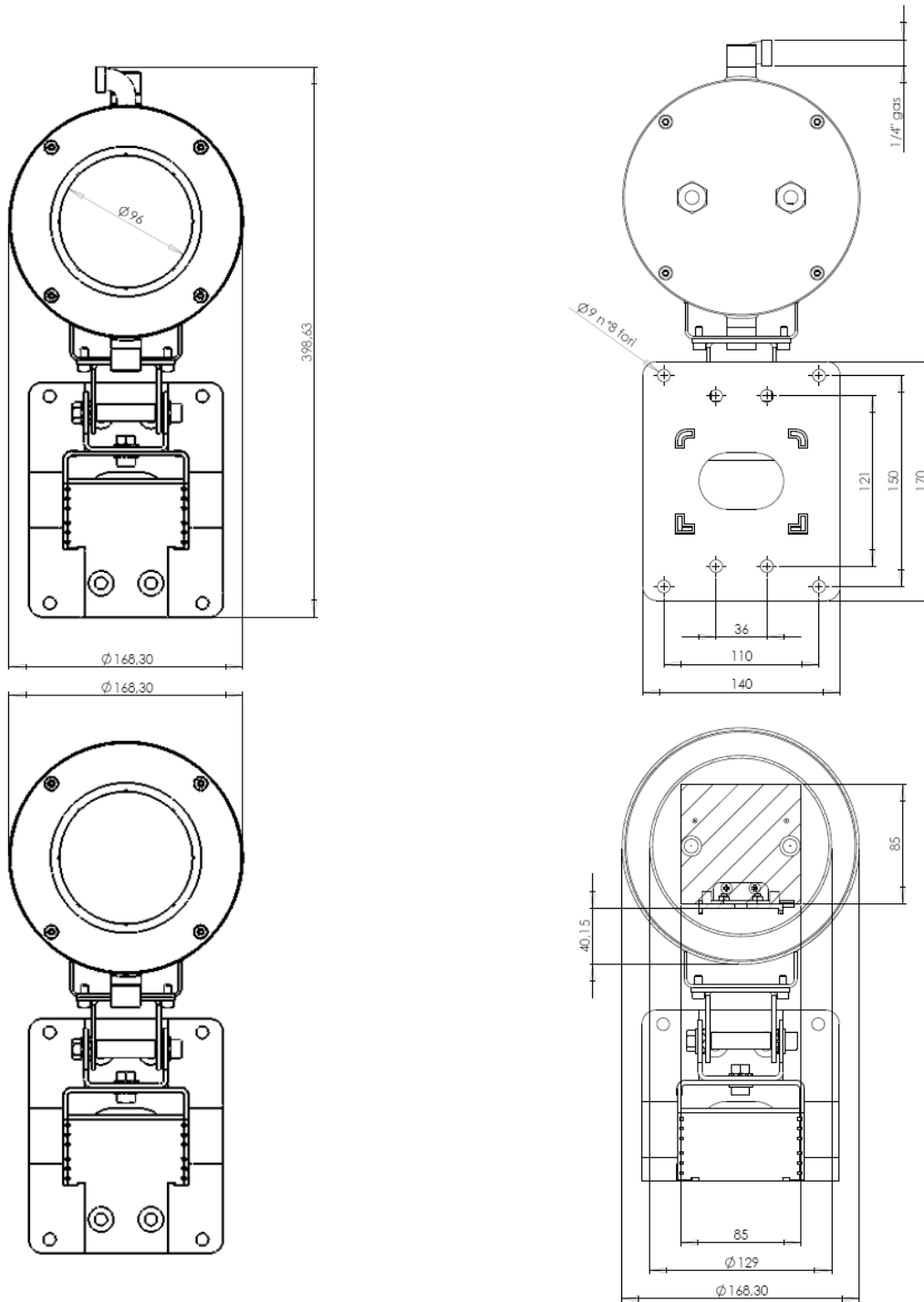
On the internal side of the BAX flange there are thin holes that concentrate the flow of compressed air as a vortex.

For proper use it is always advisable to filter the compressed air of the line with a filter (GFA) equipped with a gauge pressure regulator.

For proper installation it is necessary to check what is the environment temperature value and place the air filter group at the correct distance from the heat source.







SPECIFICATIONS

General

Construction : Stainless steel AISI 316L

Window glass options :

Standard 5 mm Tempered glass for environmental temp. up to 130°. (The Tempered Glass Max Temperature is up to 130°C continuous or 150°C peak)

6 mm Vycor[®] glass for environmental temp. up to 400°C. (The Vycor[®] glass Max Temperature is up to 900°C continuous or 1200°C peak)

Mechanical

Dimensions : Refer to technical drawings

Cable entry : No. 2 metal cable glands M16x1,5

Weight of the housing : 11,90 Kg (CHX, CHXS);

Weight of the accessories : 2,90 Kg (BWX wall bracket)

Electrical

Camera power supply unit (AL):

Vin 230V~ 50Hz Vout 12VDC 400mA;

Vin 230V~ 50Hz Vout 24V~ 400mA;

Environment

Indoor / Outdoor applications

Weatherproof rating (according to EN60529) : IP68, 10m (CHXC)

Temperature range with heater:

-20°C up to +130°C with standard tempered glass

or

-20°C up to +400°C with optional Vycor[®] glass

Environmental temperature	Water flow rate (water at 20°C)	Housing internal temperature
200°C	2l/min	< 35°C
300°C	2.5l/min	< 45°C
400°C	7.5l/min	< 50°C

CE according to EN61000-6-3, EN60950, EN50130-4

RoHS compliant

Technical data and product features might be modified without any warning.



tekno system[®]
Italian design for CCTV since 1979

Tekno System S.p.A.
Via Rostoncello, 1 - 36010 Carrè - Italy
Phone: +39 0445 314324 | Fax: +39 0445 314319
Email: info@teknosystem.eu | Web: www.teknosystem.eu

rev. 130112

Page 6 / 6