

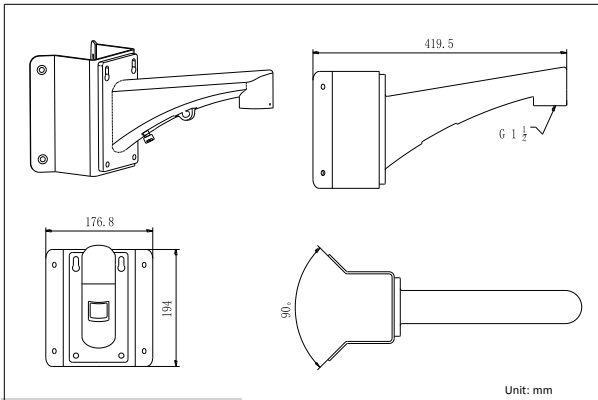
## DS-1633ZJ

### Wall Corner Mount Bracket

#### Features:

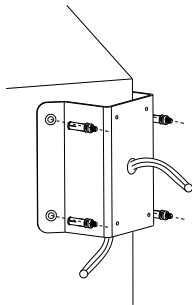
- Aluminum alloy material with surface spray treatment
- Size of threaded hole is G1½ as British system
- Nose-up long arm design for better waterproof
- Design of safety rope for more convenient installation

#### Dimension:

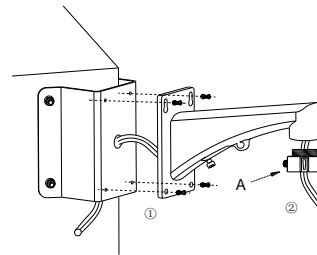


#### Installation Step:

① Choose proper wall corner for base installation and thread the cable

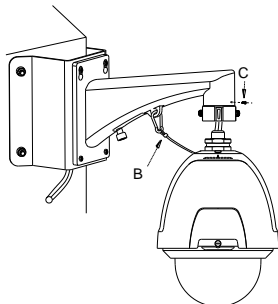


② Install the wall mount accessory, screw up the adaptor ring and thread the cable



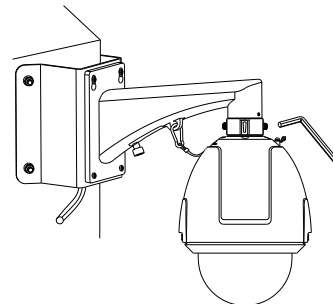
A: Adaptor ring

③ Fix adaptor with tightening screw and tie safety rope to hook and thread the cable



B: Safety rope C: Tightening screw

④ Fix the speed dome with set screw; installation complete



**Note: The actual bracket may vary from the picture above.**



#### Order Model:

DS-1633ZJ

#### Parameter:

Model	DS-1633ZJ
Parameter	Wall Corner Mount Bracket
Appearance	Hikvision White
Range of Application	For wall corner mount
Material	Aluminum Alloy
Dimension	176.8×194×419.5mm
Weight	2100g

#### Notice:

- The bracket should be installed on plat wall
- Appropriate for 90° wall corner mount
- Load capacity of pole should be more than 3 times the weight of camera and bracket
- Load capacity of clamp is 30KG