

DS-2CD1327G3-LIU(F)/(SL)/(SRB) 2 MP ColorVu 3.0 Fixed Turret Network Camera

ColorVu 3.0



- High quality imaging with 2 MP resolution
- 24/7 colorful imaging
- Support Person and Vehicle Detection
- -SL/-SRB: Strobe Light & Audio Alarm to deter intruders
- -SL/-SRB: Two-Way Audio via camera and Hik-Connect
- Smart Hybrid Light: advanced technology with long range cover
- Efficient H.265+ compression technology
- -F: Support on-board storage up to 512 GB (SD card slot)
- Water and dust resistant (IP67)

▪ Specification

Camera	
Image Sensor	1/2.8" Progressive Scan CMOS
Max. Resolution	1920 × 1080
Min. Illumination	Color: 0.0005 Lux @ (F1.0, AGC ON), 0 Lux with light
Shutter Time	1 s to 1/100,000 s
Day & Night	IR cut filter
Angle Adjustment	Pan: 0° to 360°, tilt: 0° to 75°, rotate: 0° to 360°
Lens	
Lens Type	Fixed focal lens, 2.8 and 4 mm optional
Focal Length & FOV	2.8 mm, horizontal FOV 106°, vertical FOV 56°, diagonal FOV 129° 4 mm, horizontal FOV 88°, vertical FOV 47°, diagonal FOV 103°
Lens Mount	M12
Iris Type	Fixed
Aperture	F1.0
Depth of Field	2.8 mm: 1.2 m to ∞ 4 mm: 1.3 m to ∞
DORI	
DORI	2.8 mm, D: 44 m, O: 17 m, R: 8 m, I: 4 m 4 mm, D: 53 m, O: 21 m, R: 10 m, I: 5 m
Illuminator	
Supplement Light Type	IR, White Light
Supplement Light Range	Up to 30 m
Smart Supplement Light	Yes
IR Wavelength	850 nm
Video	
Main Stream	50 Hz: 25 fps (1920 × 1080, 1280 × 720) 60 Hz: 30 fps (1920 × 1080, 1280 × 720)
Sub-Stream	50 Hz: 25 fps (640 × 480, 640 × 360) 60 Hz: 30 fps (640 × 480, 640 × 360)
Video Compression	Main stream: H.265+/H.265/H.264+/H.264, Sub-stream: H.265/H.264/MJPEG
Video Bit Rate	32 Kbps to 8 Mbps
H.264 Type	Baseline Profile, Main Profile, High Profile
H.265 Type	Main Profile
Bit Rate Control	CBR, VBR
Scalable Video Coding (SVC)	H.264 and H.265 encoding
Region of Interest (ROI)	1 fixed region for main stream and sub-stream
Audio	
Audio Type	Mono sound
Audio Compression	G.711ulaw/G.711alaw/G.722.1/G.726/MP2L2/PCM/AAC-LC/MP3
Audio Bit Rate	64 Kbps (G.711)/16 Kbps (G.722.1)/16 Kbps (G.726)/32 to 160 Kbps (MP2L2)/16 to 64 Kbps (AAC-LC)/8 to 160 Kbps (MP3)
Audio Sampling Rate	8 kHz/16 kHz
Environment Noise Filtering	Yes

Network	
Protocols	TCP/IP, ICMP, DHCP, DNS, HTTP, RTP, RTSP, RTCP, NTP, IPv4, IPv6, IGMP, UDP, QoS, FTP, SMTP, UPnP
Simultaneous Live View	Up to 6 channels
API	ONVIF (Profile S, Profile G, Profile T), ISAPI, SDK
User/Host	Up to 32 users 3 user levels: administrator, operator, and user
Security	Password protection, complicated password, watermark, basic and digest authentication for HTTP, WSSE and digest authentication for Open Network Video Interface, security audit log, host authentication (MAC addresses)
Client	iVMS-4200, Hik-Connect
Web Browser	Plug-in free live view: Chrome 57.0+, Firefox 52.0+, Edge 89+, Safari 11 Local service: Chrome 57.0+, Firefox 52.0+, Edge 89+
Image	
Image Settings	Rotate mode, saturation, brightness, contrast, sharpness, gain, white balance, adjustable by client software or web browser
Day/Night Switch	Day, Night, Auto, Schedule
Wide Dynamic Range (WDR)	120 dB
SNR	≥ 52 dB
Image Enhancement	BLC, HLC, 3D DNR
Privacy Mask	4 programmable rectangular privacy masks
Interface	
Ethernet Interface	1 RJ45 10 M/100 M self-adaptive Ethernet port
On-Board Storage	-LIU、 LIU/S(L)(RB) : NA -LIUF、 LIUF/S(L)(RB) : Built-in memory card slot, support microSD/microSDHC/microSDXC card, up to 512 GB
Built-in Microphone	Yes, 1 built-in microphone
Built-in Speaker	-LIU、 -LIUF: NA -LIU/S(L)(RB)、 -LIUF/S(L)(RB): Max. power consumption: 2 W, max. sound pressure level: 10 cm: 101 dB
Reset Key	-LIU、 LIU/S(L)(RB) : NA -LIUF、 LIUF/S(L)(RB) : YES
Event	
Basic Event	Motion detection (support alarm triggering by specified target types (human and vehicle)), video tampering alarm, exception
Linkage	Upload to memory card/FTP, notify surveillance center, send email, trigger recording, trigger capture
General	
Power	-LIUF: 12 VDC ± 25%, 0.52 A, max. 6.2 W, Ø5.5 mm coaxial power plug, reverse polarity protection, PoE: IEEE 802.3af, Class 3, max. 7.5 W, -LIU/S(L)(RB)、 -LIUF/S(L)(RB): 12 VDC ± 25%, 0.52 A, max. 6.24 W, Ø5.5 mm coaxial power plug, reverse polarity protection, PoE: IEEE 802.3af, Class 3, max. 7.52 W
Material	Cover: Plastic, main body: Metal

Dimension	DS-2CD1327G3-LIU(F)(/SL)(/SRB): \varnothing 110 mm \times 102.7 mm (\varnothing 4.3" \times 4.0") \varnothing 110 mm \times 102.7 mm (\varnothing 4.33" \times 4.04")
Package Dimension	150 mm \times 150 mm \times 141 mm (5.9" \times 5.9" \times 5.6")
Weight	<p>DS-2CD1327G3-LIU(F)(/SL)(/SRB):-LIU: Approx. 365g (0.8 lb.) -LIUF: Approx. 380g (0.8 lb.) -LIU/S(L)(RB): Approx. 400g (0.9 lb.) -LIUF/S(L)(RB): Approx. 405g (0.9 lb.) DS-2CD1327G3-LIUF(2.8mm)(海外标配)(样机),DS-2CD1327G3-LIUF(4mm)(海外标配)(样机):-LIUF: Approx. 380g (0.8 lb.) DS-2CD1327G3-LIUF/SRB(2.8mm)(海外标配)(样机),DS-2CD1327G3-LIUF/SRB(4mm)(海外标配)(样机):-LIUF/SRB: Approx. 405g (0.8 lb.) DS-2CD1327G3-LIUF/SL(2.8mm)(海外标配)(样机),DS-2CD1327G3-LIUF/SL(4mm)(海外标配)(样机):-LIUF/SL: Approx. 405g (0.8 lb.) DS-2CD1327G3-LIU/SL(2.8mm)(海外标配)(样机),DS-2CD1327G3-LIU/SL(4mm)(海外标配)(样机):-LIU/SL: Approx. 400g (0.8 lb.) DS-2CD1327G3-LIU(2.8mm)(海外标配),DS-2CD1327G3-LIU(4mm)(海外标配),DS-2CD1327G3-LIU(4mm)(海外中性),DS-2CD1327G3-LIU(2.8mm)(海外中性):-LIU: Approx. 365 g (0.8 lb.) DS-2CD1327G3-LIU/SRB(2.8mm)(海外标配)(样机),DS-2CD1327G3-LIU/SRB(4mm)(海外标配)(样机):-LIU/SRB: Approx. 400g (0.8 lb.)</p>

With Package Weight	<p>DS-2CD1327G3-LIU(F)/(SL)/(SRB):-LIU: Approx. 550g (1.2 lb.) -LIUF: Approx. 575g (1.3 lb.) -LIU/S(L)(RB): Approx. 590g (1.3 lb.) -LIUF/S(L)(RB): Approx. 600g (1.3 lb.)</p> <p>DS-2CD1327G3-LIU(2.8mm)(海外标配),DS-2CD1327G3-LIU(4mm)(海外标配),DS-2CD1327G3-LIU(4mm)(海外中性),DS-2CD1327G3-LIU(2.8mm)(海外中性):-LIU: Approx. 550 g (1.2 lb.)</p> <p>DS-2CD1327G3-LIUF/SL(2.8mm)(海外标配)(样机),DS-2CD1327G3-LIUF/SL(4mm)(海外标配)(样机):-LIUF/SL: Approx. 600 g (1.2 lb.)</p> <p>DS-2CD1327G3-LIU/SL(2.8mm)(海外标配)(样机),DS-2CD1327G3-LIU/SL(4mm)(海外标配)(样机):-LIU/SL: Approx. 590 g (1.2 lb.)</p> <p>DS-2CD1327G3-LIUF(2.8mm)(海外标配)(样机),DS-2CD1327G3-LIUF(4mm)(海外标配)(样机):-LIUF: Approx. 575 g (1.2 lb.)</p> <p>DS-2CD1327G3-LIUF/SRB(2.8mm)(海外标配)(样机),DS-2CD1327G3-LIUF/SRB(4mm)(海外标配)(样机):-LIUF/SRB: Approx. 600 g (1.2 lb.)</p> <p>DS-2CD1327G3-LIU/SRB(2.8mm)(海外标配)(样机),DS-2CD1327G3-LIU/SRB(4mm)(海外标配)(样机):-LIU/SRB: Approx. 590 g (1.2 lb.)</p>
Storage Conditions	-30 °C to 60 °C (-22 °F to 140 °F). Humidity 95% or less (non-condensing)
Startup and Operating Conditions	-30 °C to 60 °C (-22 °F to 140 °F). Humidity 95% or less (non-condensing)
Language	English, Russian, Ukrainian, Arabic, Spanish, French, Portuguese, Turkish, Polish, German
General Function	Heartbeat,mirror,flash log,password reset via email,password protection,anti -banding
Flashing Light	<p>-LIU、 -LIUF : NA</p> <p>-LIU(F)/SL : White Light</p> <p>-LIU(F)/SRB : Red and Blue Light</p>
Approval	
EMC	CE-EMC: EN 55032:2015+A1:2020, EN 50130-4:2011+A1:2014, EN IEC 61000-3-2:2019+A1:2021, EN 61000-3-3:2013+A1:2019+A2:2021
Safety	CB: IEC 62368-1:2014+A11, CE-LVD: EN 62368-1:2014/A11: 2017
Environment	CE-RoHS: 2011/65/EU, WEEE: 2012/19/EU, Reach: Regulation (EC) No 1907/2006
Protection	IP67:IEC 60529-2013

▪ Typical Application

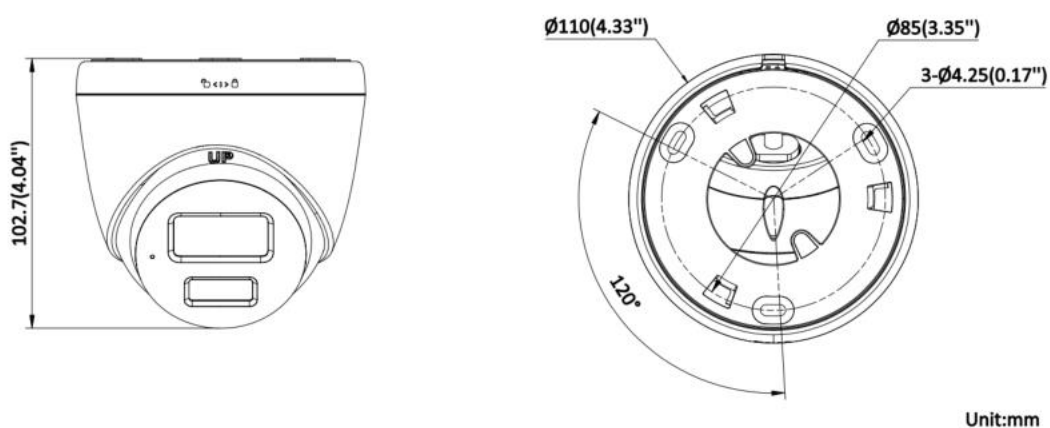
Level	Description
Top-level protection	Hikvision products at this level are equipped for use in

	areas where professional anti-corrosion protection is a must. Typical application scenarios include coastlines, docks, chemical plants, and more.
Moderate protection	Hikvision products at this level are equipped for use in areas with moderate anti-corrosion demands. Typical application scenarios include coastal areas about 2 kilometers (1.24 miles) away from coastlines, as well as areas affected by acid rain.
No specific protection	Hikvision products at this level are equipped for use in areas where no specific anti-corrosion protection is needed.

▪ Available Model

- DS-2CD1327G3-LIUF/SL(2.8mm)
- DS-2CD1327G3-LIUF/SL(4mm)
- DS-2CD1327G3-LIUF(2.8mm)
- DS-2CD1327G3-LIUF(4mm)
- DS-2CD1327G3-LIU(2.8mm)
- DS-2CD1327G3-LIU(4mm)
- DS-2CD1327G3-LIUF/SRB(2.8mm)
- DS-2CD1327G3-LIUF/SRB(4mm)
- DS-2CD1327G3-LIU/SRB(2.8mm)
- DS-2CD1327G3-LIU/SRB(4mm)
- DS-2CD1327G3-LIU/SL(2.8mm)
- DS-2CD1327G3-LIU/SL(4mm)

▪ Dimension



▪ Accessory

▪ Optional

DS-1276ZJ-SUS

DS-1271ZJ-110-TRS

DS-1272ZJ-110-TRS

DS-1275ZJ-SUS

DS-1280ZJ-TR13



DS-1281ZJ-S



▪ **Installation Methods**

<p>Corner Mounting DS-1276ZJ-SUS+DS-1272ZJ-110-TRS+DS-1253ZJ-M</p>	<p>Pendant Mounting DS-1271ZJ-110-TRS</p>	<p>Wall Mounting DS-1272ZJ-110-TRS+DS-1253ZJ-M</p>	<p>Vertical Pole Mounting DS-1275ZJ-SUS+DS-1272ZJ-110-TRS</p>	<p>Junction Box DS-1280ZJ-TR13</p>
---	--	---	--	---



Inclined Ceiling Mounting
DS-1281ZJ-S



See Far, Go Further



www.hikvision.com
support@hikvision.com

