

## DS-2CD2752F-I (Z)(S) 5MP Vandal-proof Network Dome Camera



### Key Features

- Up to 5 megapixel high resolution
- Vari-focus
- Dual video streams
- Electronic shutter
- Digital Wide Dynamic Range
- 3D Digital Noise Reduction
- 3-axis adjustment
- Support on-board storage, up to 128GB
- DC12V & PoE
- Up to 20m IR range
- IP66 weather-proof protection
- IK10 impact protection
- Reset button
- -S: Audio/Alarm IO
- -Z: Motorized lens
- Mobile Monitoring via EZVIZ P2P or iVMS-4500



## Specifications

<b>Camera</b>	
Image Sensor	1/3" Progressive Scan CMOS
Min. Illumination	0.01Lux @ (F1.2, AGC ON), 0 Lux with IR 0.014Lux @ (F1.4, AGC ON), 0 Lux with IR
Shutter Speed	1/3 s to 1/10,000 s
Lens	2.8-12mm @ F1.4, -Z: motorized lens
Lens Mount	Φ14
Day & Night	IR cut filter with auto switch
DNR	3D DNR
Wide Dynamic Range	DWDR
Angle Adjustment	Pan:0° - 355°, Tilt: 0° - 75°, Rotation: 0° - 355°
<b>Compression Standard</b>	
Video Compression	H.264+/H.264 / MJPEG
H.264 Type	Main Profile
Video Bit Rate	256 Kbps ~ 16 Mbps
Dual Streams	Support
<b>Image</b>	
Max. Resolution	2560×1920
Main Stream	50Hz: 20fps (2560×1920), 25fps (2048×1536), 25fps(1920×1080), 25fps(1280×720) 60Hz: 20fps (2560×1920), 30fps (2048×1536), 30fps(1920×1080), 30fps(1280×720)
Sub Stream	50Hz: 25fps (352×288, 640×480) 60Hz: 30fps (352×240, 640×480)
Others	Saturation, Brightness, Contrast adjustable by client software or web browser, Mirror, BLC, ROI, Dual Stream, Anti-Flicker, Privacy Mask,
<b>Network</b>	
Network Storage	NAS (Support NFS,SMB/CIFS), ANR
Alarm Trigger	Motion Detection, Tampering Alarm, Intrusion Detection, Line Crossing Detection, HDD Full, HDD Error, Network Disconnected, IP Address Conflicted
Protocols	TCP/IP, UDP, ICMP, HTTP, HTTPS, FTP, DHCP, DNS, DDNS, RTP, RTSP, RTCP, PPPoE, NTP, UPnP, SMTP, SNMP, IGMP, 802.1X, QoS, IPv6, Bonjour
Standard	ONVIF (PROFILE S, PROFILE G), PSIA, CGI, ISAPI
General Function	Password Protection, IP Address Filtering, Anonymous Access, Watermark
<b>Interface</b>	
Communication Interface	1 RJ45 10M/100M Ethernet port
Video Output	1Vp-p composite output (75 Ω/BNC)
On-board Storage	Built-in Micro SD/SDHC/SDXC slot, up to 128GB
Alarm Interface	1x alarm I/O *only for -S models
Audio Interface	1x audio I/O *only for -S models
Reset Button	Yes

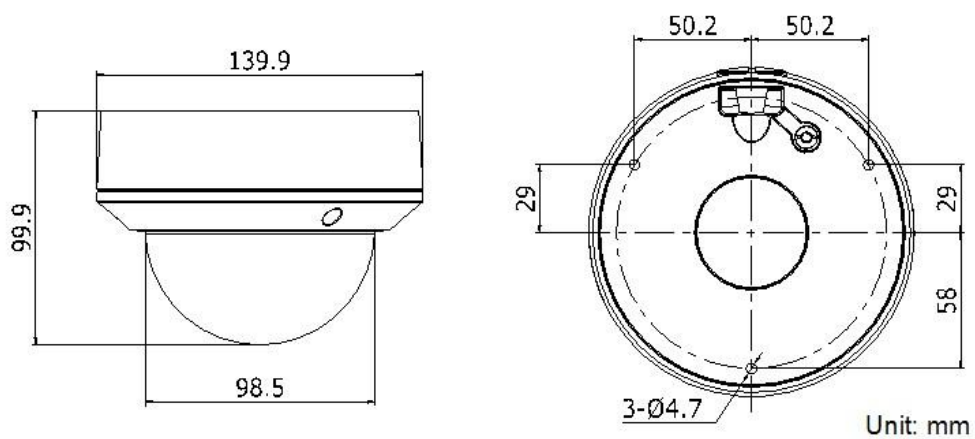
General	
Operating Conditions	-30 °C – 60 °C (-22 °F – 140 °F), Humidity 95% or less (non-condensing)
Power Supply	DC12V ± 10%, PoE (802.3af)
Power Consumption	Max. 5.5 W
IR Range	Max. 20 meters
Protection Level	IP66, IK10
Dimensions	95×105×258.6 mm (3.74" × 4.13" × 10.18")
Weight	1200g (2.6lbs)

## Order Models

DS-2CD2752F-I, DS-2CD2752F-IS, DS-2CD2752F-IZ, DS-2CD2752F-IZS

-S: Audio/Alarm IO, -Z: Motorized Lens

## Dimension



## Camera Accessories



In-ceiling mount  
DS-1227ZJ

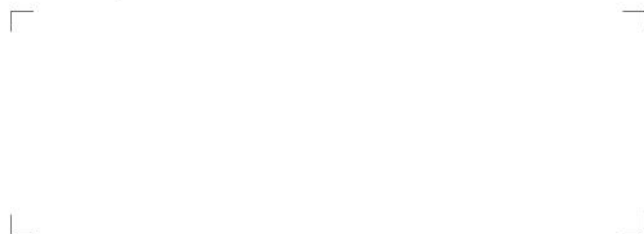


Wall mount  
DS-1273ZJ-135



Junction box  
DS-1280ZJ-DM21

Distributed by



### Headquarters

No.555 Qianmo Road, Binjiang District,  
Hangzhou 310051, China  
T +86-571-8807-5998  
overseasbusiness@hikvision.com

**Hikvision Poland**  
T +48-22-460-01-50  
poland@hikvision.com

**Hikvision USA**  
T +1-909-895-0400  
sales.usa@hikvision.com

**Hikvision India**  
T +91-22-28469900  
sales@pramahikvision.com

**Hikvision UK**  
T +44-1628-9021-4  
support.uk@hikvision.com

**Hikvision Europe**  
T +31-23-5542770  
saleseuro@hikvision.com

**Hikvision Italy**  
T +39-0438-6902  
info.it@hikvision.com

**Hikvision Singapore**  
T +65-6684-4718  
sg@hikvision.com

**Hikvision Middle East**  
T +971-4-8816086  
salesme@hikvision.com

**Hikvision France**  
T +33(0)1-85-330-444  
info.fr@hikvision.com

**Hikvision Oceania**  
T +61-2-8599-4233  
salesau@hikvision.com

**Hikvision Russia**  
T +7-495-669-67-99  
saleru@hikvision.com

**Hikvision Spain**  
T +34-91-737-16-55  
info.es@hikvision.com

**Hikvision Hong Kong**  
T +852-2151-1761