

DS-2CD3B86G2T-IZHS 8 MP DarkFighter Varifocal Bullet Network Camera

AcuSense

DarkFighter



Empowered by deep learning algorithms, Hikvision AcuSense technology brings human or vehicle target classification alarms to front- and back-end devices. The system can greatly reduce false alarms generated by targets other than humans or vehicles, vastly improving alarm efficiency and effectiveness.

- High quality imaging with 4K resolution
- Efficient H.265+ compression technology
- Clear imaging against strong back light due to 120 dB true WDR technology
- False alarm reduction through human and vehicle target classification based on deep learning
- Motorized varifocal lens for easy installation and monitoring
- Audio and alarm interface available
- Water and dust resistant (IP67) and vandal-resistant (IK10)



▪ Specification

| Camera | |
|------------------------|---|
| Image Sensor | 1/1.8" Progressive Scan CMOS |
| Min. Illumination | 0.004 Lux @ (F1.4, AGC ON), 0 Lux with IR on |
| Shutter Speed | 1/3 s to 1/100,000 s |
| Slow Shutter | Yes |
| P/N | P/N |
| Wide Dynamic Range | 120 dB |
| Day & Night | ICR Cut |
| Angle Adjustment | Pan: 0° to 360°, tilt: 0° to 90°, rotate: 0° to 360° |
| Lens | |
| Iris Type | P-Iris |
| Lens Mount | Integrated |
| Lens Type & FOV | 2.8 to 12 mm: horizontal FOV 107.4° to 39.8°, vertical FOV 56° to 22.3°, diagonal FOV 130° to 45.7° 8 to 32 mm: horizontal FOV 41.8° to 14.9°, vertical FOV 22.9° to 8.5°, diagonal FOV 48.7° to 17.1° |
| Aperture | 2.8 to 12 mm: F1.2 to F2.5 8 to 32 mm: F1.8 |
| DORI | |
| DORI | 2.8 to 12 mm: D: 88.8 m to 220 m, O: 35.2 m to 87.3 m, R: 17.8 m to 44 m, I: 8.9 m to 22 m 8 to 32 mm: D: 218 m to 580 m, O: 86.5 m to 230.2 m, R: 43.6 m to 116 m, I: 21.8 m to 58 m |
| Illuminator | |
| IR Range | 2.8 to 12 mm: up to 60 m 8 to 32 mm: up to 100 m |
| Wavelength | 850 nm |
| Smart Supplement Light | Yes |
| Video | |
| Max. Resolution | 3840 × 2160 |
| Main Stream | 50Hz: 20 fps (3840 × 2160, 3072 × 1728) 25 fps (2688 × 1520, 1920 × 1080, 1280 × 720) 60Hz: 20 fps (3840 × 2160, 3072 × 1728) 30 fps (2688 × 1520, 1920 × 1080, 1280 × 720) |
| Sub-Stream | 50Hz: 25 fps (640 × 480, 640 × 360, 320 × 240) 60Hz: 30 fps (640 × 480, 640 × 360, 320 × 240) |
| Third Stream | 50Hz: 15 fps (1280 × 720, 640 × 480, 640 × 360, 320 × 240) 60Hz: 15 fps (1280 × 720, 640 × 480, 640 × 360, 320 × 240) |
| Fourth Stream | 50Hz: 15 fps (1280 × 720, 640 × 480, 640 × 360, 320 × 240) 60Hz: 15 fps (1280 × 720, 640 × 480, 640 × 360, 320 × 240) *Fourth stream is supported under certain settings. |
| Video Bit Rate | 32 Kbps to 16 Mbps |

| | |
|-----------------------------|--|
| Video Compression | Main stream: H.265/H.264/H.264+/H.265+ Sub-stream: H.265/H.264/MJPEG Third stream: H.265/H.264 Fourth stream: H.265/H.264/MJPEG |
| H.264 Type | Baseline Profile/Main Profile/High Profile |
| H.265 Type | Main Profile |
| H.264+ | Main stream supports |
| H.265+ | Main stream supports |
| Bit Rate Control | CBR/VBR |
| Scalable Video Coding (SVC) | Yes |
| Region of Interest (ROI) | 5 fixed regions for main stream and sub-stream |
| e-PTZ | Support Preset and Patrol settings *Only the fourth stream supports this function. |
| Audio | |
| Environment Noise Filtering | Yes |
| Audio Sampling Rate | 8 kHz/16 kHz/32 kHz/44.1 kHz/48 kHz |
| Audio Compression | G.711ulaw/G.711alaw/G.722.1/G.726/MP2L2/PCM/MP3/AAC |
| Audio Bit Rate | 64Kbps(G.711ulaw/G.711alaw)/16Kbps(G.722.1)/16Kbps(G.726)/32-192Kbps(MP2L2)/8-320Kbps(MP3) |
| Network | |
| Smooth Streaming | Yes |
| Simultaneous Live View | Up to 6 channels |
| API | Open Network Video Interface (PROFILE S, PROFILE G, PROFILE T), ISAPI, SDK |
| Protocols | TCP/IP, ICMP, HTTP, HTTPS, FTP, DHCP, DNS, DDNS, RTP, RTSP, NTP, UPnP, SMTP, IGMP, 802.1X, QoS, IPv4, IPv6, UDP, Bonjour, SSL/TLS, PPPoE, SFTP, ISUP, ARP, SNMP |
| User/Host | Up to 32 users. 3 user levels: administrator, operator and user |
| Security | Password protection, complicated password, HTTPS encryption, IP address filter, Security Audit Log, basic and digest authentication for HTTP/HTTPS, TLS 1.2, WSSE and digest authentication for Open Network Video Interface, memory card encryption, SFTP encryption, SRTP encryption |
| Network Storage | MicroSD/SDHC/SDXC card (256 GB) local storage, and NAS(NFS, SMB/CIFS), auto network replenishment (ANR), FTP ANR |
| Client | iVMS-4200, Hik-Connect, Hik-Central |
| Web Browser | Plug-in required live view: IE 10, IE 11 Plug-in free live view : Chrome 57.0+, Firefox 52.0+ Local service: Chrome 57.0+, Firefox 52.0+ |
| Image | |
| Day/Night Switch | Day, Night, Auto, Schedule |
| Target Cropping | Yes |
| Image Enhancement | BLC, HLC, 3D DNR, EIS, Defog |
| Image Parameters Switch | Yes |
| Image Settings | Rotate mode, saturation, brightness, contrast, sharpness, gain, white balance adjustable by client software or web browser |
| Interface | |
| Alarm | 3 inputs, 3 outputs (max. 24 VDC, 1 A; 24 VAC, 1 A) |

| | |
|----------------------------------|---|
| Audio | 1 input (line in), two-core terminal block, max. input amplitude: 3.3 vpp, input impedance: 4.7 K Ω , interface type: non-equilibrium; 1 output (line out), two-core terminal block, max. output amplitude: 3.3 vpp, output impedance: 100 Ω , interface type: non-equilibrium |
| RS-485 | 1 RS-485 (half duplex, HIKVISION, Pelco-P, Pelco-D, self-adaptive) |
| On-board Storage | Built-in micro SD/SDHC/SDXC slot, up to 256 GB |
| Hardware Reset | Yes |
| Communication Interface | 1 RJ45 10M/100M self-adaptive Ethernet port |
| Power Output | 12 VDC, 100 mA |
| Heater | Yes |
| Event | |
| Basic Event | Motion detection, video tampering alarm, exception (network disconnected, IP address conflict, illegal login, HDD full, HDD error) |
| Smart Event | Unattended baggage detection, object removal detection, scene change detection, audio exception detection, video quality diagnosis |
| Deep Learning Function | |
| Face Capture | Yes |
| Perimeter Protection | Line crossing detection, intrusion detection, region entrance detection, region exiting detection |
| General | |
| Linkage Method | Upload to NAS/memory card, notify surveillance center, trigger record, trigger capture, audible warning, FTP, Email |
| Web Client Language | 33 languages English, Russian, Estonian, Bulgarian, Hungarian, Greek, German, Italian, Czech, Slovak, French, Polish, Dutch, Portuguese, Spanish, Romanian, Danish, Swedish, Norwegian, Finnish, Croatian, Slovenian, Serbian, Turkish, Korean, Traditional Chinese, Thai, Vietnamese, Japanese, Latvian, Lithuanian, Portuguese (Brazil), Ukrainian |
| General Function | Anti-flicker, heartbeat, mirror, privacy masks, flash log, password reset via e-mail, pixel counter |
| Software Reset | Yes |
| Storage Conditions | -40 °C to 60 °C (-40 °F to 140 °F), humidity 95% or less (non-condensing) |
| Startup and Operating Conditions | -40 °C to 60 °C (-40 °F to 140 °F), humidity 95% or less (non-condensing) |
| Power Supply | 12 VDC \pm 25% 24 VAC \pm 20% PoE: 802.3at, Class 4 |
| Power Consumption and Current | 12 VDC, 1.08 A, max. 13 W 24 VAC, 0.90 A, 50/60 Hz, max. 13 W PoE: (802.3at, 42.5 V to 57 V), 0.36 A to 0.27 A, max. 15 W |
| Power Interface | Two-core terminal block |
| Camera Dimension | \varnothing 105 \times 340.8 mm (\varnothing 4.1" \times 13.4") |
| Package Dimension | 251 \times 215 \times 189 mm (9.9" \times 8.5" \times 7.4") |
| Camera Weight | Approx. 1400 g (3.1 lb.) |
| With Package Weight | Approx. 2250 g (5.0 lb.) |

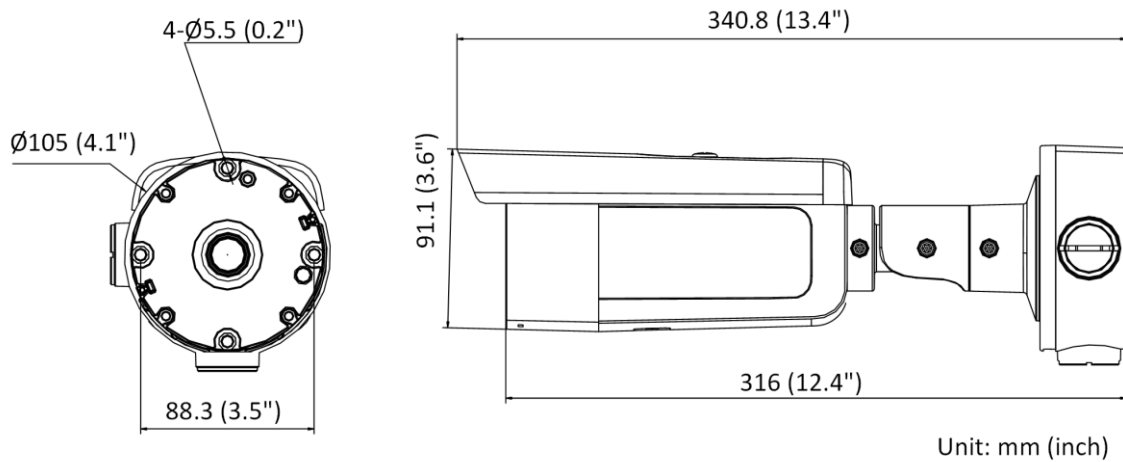
Approval

| | |
|-------------|---|
| EMC | FCC SDoC (47 CFR Part 15, Subpart B); CE-EMC (EN 55032: 2015, EN 61000-3-2: 2014, EN 61000-3-3: 2013, EN 50130-4: 2011 +A1: 2014); RCM (AS/NZS CISPR 32: 2015); IC VoC (ICES-003: Issue 6, 2016); KC (KN 32: 2015, KN 35: 2015) |
| Safety | UL (UL 60950-1); CB (IEC 60950-1:2005 + Am 1:2009 + Am 2:2013, IEC 62368-1:2014); CE-LVD (EN 60950-1:2005 + Am 1:2009 + Am 2:2013, IEC 62368-1:2014); BIS (IS 13252(Part 1):2010+A1:2013+A2:2015); LOA (IEC/EN 60950-1) |
| Environment | CE-RoHS (2011/65/EU); WEEE (2012/19/EU); Reach (Regulation (EC) No 1907/2006) |
| Protection | IP67 (IEC 60529-2013), IK10 (IEC 62262:2002) |

▪ Available Model

DS-2CD3B86G2T-IZHS (2.8 to 12 mm, 8 to 32 mm)

▪ Dimension

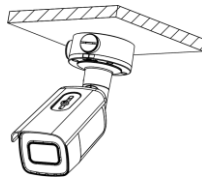


▪ Accessory

▪ Included

DS-1260ZJ

Junction box



▪ Optional

| DS-1275ZJ-SUS Vertical Pole Mount | DS-1275ZJ-S-SUS Vertical Pole Mount | DS-1276ZJ-SUS Corner Mount |
|--------------------------------------|--|-------------------------------|
| | | |
| | | |

Distributed by

**HIKVISION®****Headquarters**

No.555 Qianmo Road, Binjiang District,
Hangzhou 310051, China
T +86-571-8807-5998
overseasbusiness@hikvision.com

Hikvision USA
T +1-909-895-0400
sales.usa@hikvision.com

Hikvision Australia
T +61-2-8599-4233
salesau@hikvision.com

Hikvision India
T +91-22-28469900
sales@pramahikvision.com

Hikvision Canada
T +1-866-200-6690
sales.canada@hikvision.com

Hikvision Thailand
T +662-275-9949
sales.thailand@hikvision.com

Hikvision Europe
T +31-23-5542770
sales.eu@hikvision.com

Hikvision Italy
T +39-0438-6902
info.it@hikvision.com

Hikvision Brazil
T +55 11 3318-0050
Latam.support@hikvision.com

Hikvision Turkey
T +90 (216)521 7070- 7074
sales.tr@hikvision.com

Hikvision Malaysia
T +601-7652-2413
sales.my@hikvision.com

Hikvision UK & Ireland
T +01628-902140
sales.uk@hikvision.com

Hikvision South Africa
Tel: +27 (10) 0351172
sale.africa@hikvision.com

Hikvision France
T +33(0)1-85-330-450
info.fr@hikvision.com

Hikvision Kazakhstan
T +7-727-9730667
nikia.panfilov@hikvision.ru

Hikvision Vietnam
T +84-974270888
sales.vt@hikvision.com

Hikvision UAE
T +971-4-4432090
salesme@hikvision.com

Hikvision Singapore
T +65-6684-4718
sg@hikvision.com

Hikvision Spain
T +34-91-737-16-55
info.es@hikvision.com

Hikvision Tashkent
T +99-87-1238-9438
uzb@hikvision.ru

Hikvision Hong Kong
T +852-2151-1761
info.hk@hikvision.com

Hikvision Russia
T +7-495-669-67-99
saleru@hikvision.com

Hikvision Korea
T +82-(0)31-731-8817
sales.korea@hikvision.com

Hikvision Poland
T +48-22-460-01-50
info.pl@hikvision.com

Hikvision Indonesia
T +62-21-2933759
Sales.Indonesia@hikvision.com

Hikvision Colombia
sales.colombia@hikvision.com