

DS-2CD6424FWD-10'20'30'40 2MP Covert Network Camera



DS-2CD6424FWD-XX is the covert camera with 4 optional lens shapes.

Key features including:

Cylindrical, block-shaped, fixed focal and ball-shaped of lens are optional;

2m or 8m (between lens and camera body) cable is optional for flexible installation;

DS-2CD6424FWD-XX 1080p HD resolution for real-time output;

Rotate mode, BLC and True WDR are supported for different environment.

Key Features:

- 1/2.7" Progressive Scan CMOS
- Up to 1920×1080@30fps for real-time output
- True WDR, up to 120dB
- PoE supported
- Built-in Micro SD / SDHC / SDXC card slot, up to 128GB
- Support HLC, Defog
- Optional appearance of the front-end(the mini bullet and block) and brackets

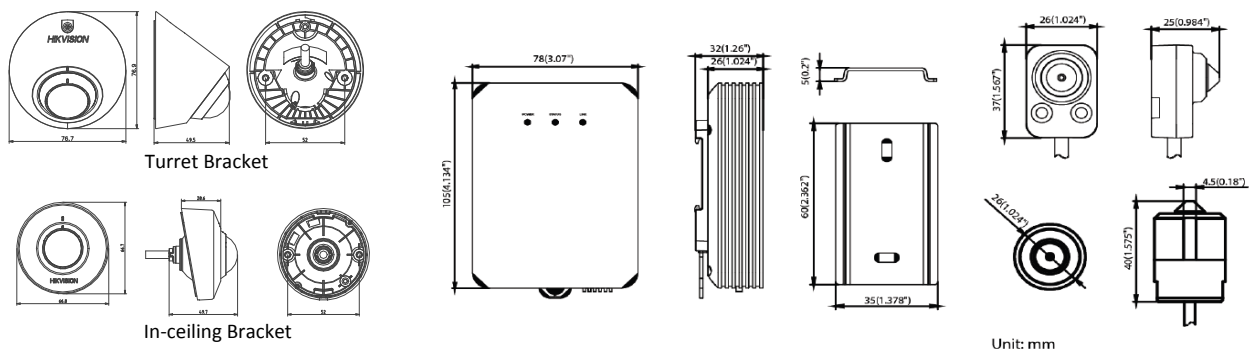


Specification

Camera	
Image Sensor	1/2.7" Progressive Scan CMOS
Min. Illumination	0.01Lux @(F1.2, AGC ON); 0.028 Lux @(F2.0, AGC ON)
Shutter Speed	1s to 1/100,000s
Slow Shutter	Support
Lens	L10/L20/10/20: 3.7mm @F2.5, angle of view: 78.5° L30/30: 2.8mm@F2.0, angle of view: 109.4°/ 4mm @F2.2, angle of view: 90°/ 6 mm @F2.0, angle of view: 53.9° (Ingress Protection: IP66) L40: 2.8mm@F2.0, angle of view: 109.4°/ 4mm @F2.2, angle of view: 90°/ 6 mm @F2.0, angle of view: 53.9°/ Fisheye: 1.39mm@F2.0, angle of view: 180° (Ingress Protection: IP66)
Lens Mount	M12
WDR	120dB
DNR	3D Digital Noise Reduction
Length of Lens Cable	Optional 2m or 8m
Compression Standard	
Video Compression	H.264/MJPEG
H.264 Type	Main Profile / High Profile
Video Bit Rate	32 Kbps to 16 Mbps
Audio Compression	G.711/G.722.1/G.726/MP2L2/PCM
Audio Bit Rate	64Kbps (G.711)/16Kbps (G.722.1)/16Kbps (G.726)/32 to 160Kbps (MP2L2)
Image	
Max. Resolution	1920×1080
Frame Rate	50Hz: 25fps (1920×1080, 1280×960, 1280×720) 60Hz: 30fps (1920×1080, 1280×960, 1280×720)
Third stream	Independent with main stream, up to 50Hz: 10fps (1280×960); 60Hz: 10fps (1280×960)
Image Setting	Rotate mode(first channel), saturation, brightness, contrast, sharpness and gray scale adjustable
BLC	Yes, zone optional
Defog	Support
Highlight Compensation	Support
Day / Night mode	Auto / Timing / Alarm trigger
Image Overlay	Support 128×128 size BMP with 24-bit depth image overlay, zone optional
ROI	Up to 4 fixed areas in each stream
Network	
Network Storage	Support Micro SD/SDHC/SDXC slot, up to 128GB,Edge recording, NAS (NFS,SMB/CIFS)
Alarm Trigger	motion detection, face detection, dynamic analysis, tampering alarm, network disconnect, IP address conflicts, storage full, storage error, Intrusion detection, Line crossing detection, defocus detection, audio exception detection, scene change detection
Protocols	TCP/IP, ICMP, HTTP, HTTPS, FTP, DHCP, DNS, DDNS, RTP, RTSP, RTCP, PPPoE, NTP, UPnP, SMTP, SNMP, IGMP, 802.1X, QoS, IPv6, Bonjour
Standard	ONVIF(PROFILE S, PEOFILE G), ISAPI
General	Reset, flickerless, multi-stream, heartbeat, rotate, password protection, video masking, watermark, anonymous login, IP address filtering
Interface	
Communication	1 RJ45 10M/100M Ethernet interface
Audio Interface	1 3.5mm audio in (Mic in/Line in)/out interface
Alarm Input & Output	1-ch alarm input and 1-ch alarm output

General	
Working Environment	Temperature :-30 °C to 60 °C (-22 °F to 140 °F) Humidity 95% or less (non-condensing)
Power Supply	12 VDC ± 10%/PoE (802.3af) (Class 3)
Power Consumption	Max. 6.5 W
Dimensions	78×105×32 mm (3.07"×4.13"×1.26")
Shipping Weight	2m cable: <570g 8m cable: <680g
Net Weight	Main body: 210g Cylindrical lens: 113g (2m), 233g (8m) Block-shaped lens: 99g (2m), 220g (8m) Fixed focal lens: 129g (2m), 242g (8m) Ball-shaped lens: 120g (2m), 268.4g (8m) Package + accessories: 224g
Order Models	Different accessories included for each sensor unit: DS-2CD6424FWD-10: camera body with one cylindrical lens DS-2CD6424FWD-20: camera body with one block-shaped lens DS-2CD6424FWD-30: camera body with one fixed focal lens DS-2CD6424FWD-40/E1: camera body with one ball-shaped lens and one turret bracket DS-2CD6424FWD-40/E2: camera body with one ball-shaped lens and one in-ceiling bracket DS-2CD6424FWD-L10: one cylindrical lens with connecting cable DS-2CD6424FWD-L20: one block-shaped lens with connecting cable DS-2CD6424FWD-L30: one fixed focal lens with connecting cable DS-2CD6424FWD-L40/E1: one ball-shaped lens and one turret bracket DS-2CD6424FWD-L40/E2: one ball-shaped lens and one in-ceiling bracket

Dimension



Distributed by



Headquarters

No.555 Qianmo Road, Binjiang District,
Hangzhou 310051, China
T +86-571-8807-5998
overseasbusiness@hikvision.com

Hikvision USA
T +1-909-895-0400
sales.usa@hikvision.com

Hikvision India
T +91-22-28469900
sales@pramahikvision.com

Hikvision UK
T +44-1628-9021-4
support.uk@hikvision.com

Hikvision Europe
T +31-23-5542770
saleseuro@hikvision.com

Hikvision Italy
T +39-0438-6902
info.it@hikvision.com

Hikvision Singapore
T +65-6684-4718
sg@hikvision.com

Hikvision Middle East
T +971-4-8816086
salesme@hikvision.com

Hikvision France
T +33(0)1-85-330-444
info.fr@hikvision.com

Hikvision Oceania
T +61-2-8599-4233
salesau@hikvision.com

Hikvision Russia
T +7-495-669-67-99
saleru@hikvision.com

Hikvision Spain
T +34-91-737-16-55
info.es@hikvision.com

Hikvision Hong Kong
T +852-2151-1761