

## DS-2DE4225W-DE (B) 2MP 25× Network Speed Dome



Hikvision DS-2DE4225W-DE (B) 2MP 25× Network Speed Dome adopts 1/2.8" progressive scan CMOS chip. With the 25× optical zoom lens, the camera offers more details over expansive areas.

This series of cameras can be widely used for wide ranges of high-definition, such as the rivers, roads, railways, airports, squares, parks, scenic spots, and venues, etc.

### Key Features

- 1/2.8" progressive scan CMOS
- Up to 1920 × 1080@30fps resolution
- Min. illumination:  
Color: 0.005 Lux @(F1.6, AGC ON)  
B/W: 0.001 Lux @(F1.6, AGC ON)
- 25× optical zoom, 16× digital zoom
- WDR, HLC, BLC, 3D DNR, Defog, EIS, Regional Exposure, Regional Focus
- 12 VDC & PoE (802.3 at, class4)
- Support H.265+/H.265 video compression



## Specification

Camera Module	
Image Sensor	1/2.8" progressive scan CMOS
Min. Illumination	Color: 0.005 Lux @(F1.6, AGC ON) B/W: 0.001Lux @(F1.6, AGC ON)
White Balance	Auto/Manual/ATW (Auto-tracking White Balance)/Indoor/Outdoor/Fluorescent Lamp/Sodium Lamp
Gain	Auto/Manual
Shutter Time	50Hz: 1/1 s to 1/30,000 s 60Hz: 1/1 s to 1/30,000 s
Day & Night	IR Cut Filter
Digital Zoom	16x
Privacy Mask	24 programmable privacy masks, mask color configurable
Focus Mode	Auto/Semi-automatic/Manual
WDR	120 dB WDR
Lens	
Focal Length	4.8 mm to 120 mm, 25x optical zoom
Zoom Speed	Approx. 3.6 s (optical lens, wide-tele)
Field of View	Horizontal field of view: 57.6° to 2.5° (Wide-Tele) Vertical field of view: 34.4° to 1.4° (Wide-Tele) Diagonal field of view: 64.5° to 2.9° (Wide-Tele)
Working Distance	10 mm to 1500 mm (wide-tele)
Aperture Range	F1.6 to F3.5
PTZ	
Movement Range (Pan)	360° endless
Pan Speed	Configurable, from 0.1°/s to 160°/s, Preset speed: 160°/s
Movement Range (Tilt)	From 0° to 90° (auto-flip)
Tilt Speed	Configurable, from 0.1°/s to 120°/s Preset Speed: 120°/s
Proportional Zoom	Yes
Presets	300
Patrol Scan	8 patrols, up to 32 presets for each patrol
Pattern Scan	4 pattern scans, record time over 10 minutes for each scan
Power-off Memory	Yes
Park Action	Preset/Pattern Scan/Patrol Scan/Auto Scan/Tilt Scan/Random Scan/Frame Scan/Panorama Scan
3D Positioning	Yes
PTZ Position Display	Yes
Preset Freezing	Yes
Scheduled Task	Preset/Pattern Scan/Patrol Scan/Auto Scan/Tilt Scan/Random Scan/Frame Scan/Panorama Scan/Dome Reboot/Dome Adjust/Aux Output
Compression Standard	
Video Compression	Main Stream: H.265+/H.265/H.264+/H.264 Sub-stream: H.265/H.264/MJPEG Third Stream: H.265/H.264/MJPEG
H.264 Type	Baseline Profile/Main Profile/High Profile
H.264+	Yes
H.265 Type	Main Profile
H.265+	Yes
Video Bitrate	32 Kbps to 16384 Kbps

Audio Compression	G.711alaw/G.711ulaw/G.722.1/G.726/MP2L2/PCM
Audio Bitrate	G.711alaw/G.711ulaw: 64 Kbps G.722.1/G.726: 16 Kbps MP212/PCM: 32 Kbps/64 Kbps/128 Kbps
SVC	Yes
<b>Smart Features</b>	
Basic Event	Motion Detection, Alarm Input, Alarm Output, Video Tampering Detection, Exception
Smart Event	Intrusion Detection, Line Crossing Detection, Region Entrance Detection, Region Exiting Detection, Object Removal Detection, Unattended Baggage Detection, Audio Exception Detection
Smart Record	ANR (Automatic Network Replenishment), Dual-VCA
ROI	Main stream, sub-stream, and third stream respectively support four fixed areas.
<b>Image</b>	
Max. Resolution	1920 × 1080
Main Stream	50Hz: 25fps (1920 × 1080, 1280 × 960, 1280 × 720) 50fps (1280 × 960, 1280 × 720) 60Hz: 30fps (1920 × 1080, 1280 × 960, 1280 × 720) 60fps (1280 × 960, 1280 × 720)
Sub-Stream	50Hz: 25fps (704 × 576, 640 × 480, 352 × 288) 60Hz: 30fps (704 × 480, 640 × 480, 352 × 240)
Third Stream	50Hz: 25fps (1920 × 1080, 1280 × 960, 1280 × 720, 704 × 576, 640 × 480, 352 × 288) 60Hz: 30fps (1920 × 1080, 1280 × 960, 1280 × 720, 704 × 480, 640 × 480, 352 × 240)
Image Enhancement	HLC/BLC/3D DNR/Defog/EIS/Regional Exposure/Regional Focus
<b>Network</b>	
Network Storage	Built-in memory card slot, support Micro SD/SDHC/SDXC, up to 256 GB; NAS (NFS, SMB/CIFS), ANR
Alarm Linkage	Alarm actions, such as Notify Surveillance Center, Upload to FTP, Send Email, Trigger Recording, Recording Linkage, and Alarm Input, etc.
Protocols	IPv4/IPv6, HTTP, HTTPS, 802.1x, Qos, FTP, SMTP, UPnP, SNMP, DNS, DDNS, NTP, RTSP, RTCP, RTP, TCP/IP, UDP, IGMP, ICMP, DHCP, PPPoE, Bonjour
API	ONVIF (Profile S, Profile G, Profile T), ISAPI, SDK
Simultaneous Live View	Up to 20 channels
User/Host	Up to 32 users 3 levels: Administrator, Operator and User
Security Measures	User authentication (ID and PW), Host authentication (MAC address); HTTPS encryption; IEEE 802.1x port-based network access control; IP address filtering
Client	iVMS-4200, iVMS-4500, iVMS-5200, Hik-Connect
Web Browser	IE 8 to 11, Chrome 31.0+, Firefox 30.0+, Edge 16.16299+
<b>Interface</b>	
Alarm Interface	1-ch alarm input and 1-ch alarm output
Audio Interface	1-ch audio input and 1-ch audio output
Network Interface	1 RJ45 10 M/100 M Ethernet, PoE (802.3 at, class4)
<b>General</b>	
Language (Web Browser Access )	32 languages. English, Russian, Estonian, Bulgarian, Hungarian, Greek, German, Italian, Czech, Slovak, French, Polish, Dutch, Portuguese, Spanish, Romanian, Danish, Swedish, Norwegian, Finnish, Croatian, Slovenian, Serbian, Turkish, Korean, Traditional Chinese, Thai, Vietnamese, Japanese, Latvian, Lithuanian, Portuguese (Brazil)
Power	12 VDC, 2.0 A and PoE (802.3 at), 42.5 to 57 VDC, 0.6 A, class4 Max.: 18 W
Working Temperature	-30°C to 65°C (-22°F to 149°F)
Working Humidity	≤ 90%
Protection Level	IP66 Standard, 4000V Lightning Protection, Surge Protection and Voltage Transient Protection

Material	ADC 12, PC+ABS, PC/PMMA
Dimensions	Φ 180 mm × 239.5 mm (Φ 7.09" × 9.43")
Weight	Approx. 2 kg (4.41 lb)

## DORI

The DORI (detect, observe, recognize, identify) distance gives the general idea of the camera ability to distinguish persons or objects within its field of view.

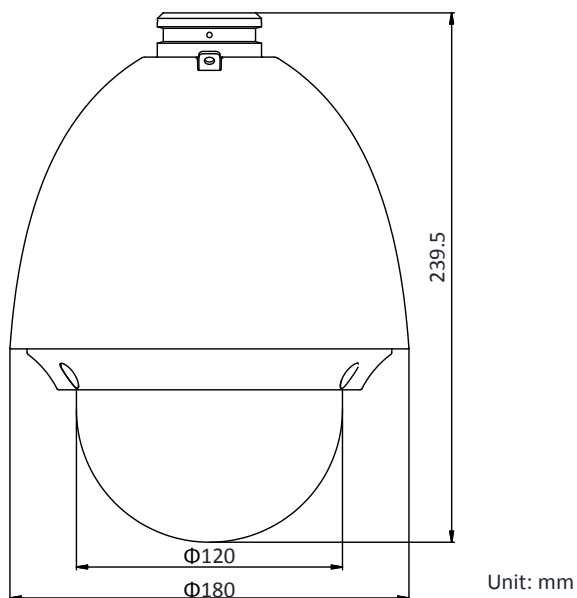
It is calculated based on the camera sensor specification and the criteria given by EN 62676-4: 2015.

DORI	Detect	Observe	Recognize	Identify
Definition	25 px/m	63 px/m	125 px/m	250 px/m
Distance (Tele)	1600.0 m (5249.3 ft)	634.9 m (2083.1 ft)	320.0 m (1049.9 ft)	160.0 m (524.9 ft)

## Available Model

DS-2DE4225W-DE (B), 12 VDC & PoE (802.3 at, class4)

## Dimensions



## Accessory

### Included:



ASW0081-1220002W

Power adapter

### Optional:



DS-1618ZJ

Wall Mount



DS-1602ZJ

Wall Mount



DS-1604ZJ-box

Wall mount with junction box



DS-1604ZJ

Wall mount with junction box



DS-1604ZJ-BOX-COR

NER

Wall Mount with  
junction box



DS-1604ZJ-pole

Vertical Pole Mount



DS-1604ZJ-BOX-POLE

Vertical Pole Mount with  
junction box



DS-1604ZJ-corner

Corner Mount



DS-1661ZJ

Pendant Mount



DS-1662ZJ

Pendant Mount



DS-1663ZJ

Ceiling Mount



DS-1673ZJ

Horizontal Pole Mount



DS-1681ZJ

Installation Adapter



DS-1619ZJ

Gooseneck Mount



DS-1660ZJ

Parapet wall mount



DS-1667ZJ

Extendable Pole for Pendant  
Mount



DS-1682ZJ

Extendable Pole for  
Pendant Mount



DS-1100KI

Network Keyboard



LAS60-57CN-RJ45

Hi-PoE midspan



DS-1005KI

USB Joy-stick

*\*DS-1673ZJ should be used with DS-1661ZJ or DS-1602ZJ.*

Distributed by

**HIKVISION®****Headquarters**

No.555 Qianmo Road, Binjiang District,  
Hangzhou 310051, China  
T +86-571-8807-5998  
overseasbusiness@hikvision.com

**Hikvision USA**  
T +1-909-895-0400  
sales.usa@hikvision.com

**Hikvision Australia**  
T +61-2-8599-4233  
salesau@hikvision.com

**Hikvision India**  
T +91-22-28469900  
sales@pramahikvision.com

**Hikvision Canada**  
T +1-866-200-6690  
sales.canada@hikvision.com

**Hikvision Thailand**  
T +662-275-9949  
sales.thailand@hikvision.com

**Hikvision Europe**  
T +31-23-5542770  
sales.eu@hikvision.com

**Hikvision Italy**  
T +39-0438-6902  
info.it@hikvision.com

**Hikvision Brazil**  
T +55 11 3318-0050  
Latam.support@hikvision.com

**Hikvision Turkey**  
T +90 (216)521 7070- 7074  
sales.tr@hikvision.com

**Hikvision Malaysia**  
T +601-7652-2413  
sales.my@hikvision.com

**Hikvision UK & Ireland**  
T +01628-902140  
sales.uk@hikvision.com

**Hikvision South Africa**  
Tel: +27 (10) 0351172  
sale.africa@hikvision.com

**Hikvision France**  
T +33(0)1-85-330-450  
info.fr@hikvision.com

**Hikvision Kazakhstan**  
T +7-727-9730667  
nikia.panfilov@hikvision.ru

**Hikvision Vietnam**  
T +84-974270888  
sales.vt@hikvision.com

**Hikvision UAE**  
T +971-4-4432090  
salesme@hikvision.com

**Hikvision Singapore**  
T +65-6684-4718  
sg@hikvision.com

**Hikvision Spain**  
T +34-91-737-16-55  
info.es@hikvision.com

**Hikvision Tashkent**  
T +99-87-1238-9438  
uzb@hikvision.ru

**Hikvision Hong Kong**  
T +852-2151-1761  
info.hk@hikvision.com

**Hikvision Russia**  
T +7-495-669-67-99  
saleru@hikvision.com

**Hikvision Korea**  
T +82-(0)31-731-8817  
sales.korea@hikvision.com

**Hikvision Poland**  
T +48-22-460-01-50  
info.pl@hikvision.com

**Hikvision Indonesia**  
T +62-21-2933759  
Sales.Indonesia@hikvision.com

**Hikvision Colombia**  
sales.colombia@hikvision.com