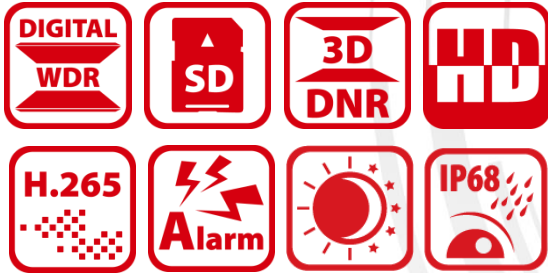


## DS-2DF4220-DX(W/316L)

### 2 MP Explosion-Proof Network Speed Dome



- Ex-mark: ATEX: Ex II 2GD Ex db IIC T6 Gb /Ex tb IIIC T80°C Db; IECEX: Ex db IIC T6 Gb /Ex tb IIIC T80°C Db
- 20 × optical zoom, focal length 4.7 mm to 94 mm
- Supports H.265 video compression
- Certificate No.:  
ATEX: SEV 20 ATEX 0415 X  
IECEX: IECEX NEP 20.0018X
- 2 MP 1/2.8" progressive scan CMOS
- 316L Stainless Steel
- 120 dB WDR, 3D DNR
- High quality imaging with high-performance sensor


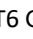


II 2 G Ex db IIC T6 Gb  
II 2 D Ex tb IIIC T80°C Db



## ▪ Specification

Camera Module	
Image Sensor	1/2.8" progressive scan CMOS
Min. Illumination	Color: 0.05 Lux @ (F1.6, AGC ON) B/W: 0.01 Lux @ (F1.6, AGC ON)
Shutter Speed	1/25 s to 1/30,000 s
Focus	semi-auto,manual,auto
Day & Night	ICR
WDR	120 dB WDR
HLC	yes
3D DNR	yes
Regional Exposure	yes
Regional Focus	yes
White Balance	auto, ATW, sodium lamp, fluorescent lamp, indoor, outdoor, MWB
Digital Zoom	16 ×
Privacy Mask	up to 24 masks,mask color configurable
SNR	> 55dB
Min. Working Distance	100 mm to 1500 mm (Wide-Tele)
Lens	
Focal Length	4.7 mm to 94 mm, 20 × optical zoom
Zoom Speed	Approx. 3.4 s
FOV	horizontal FOV: 61.4° to 2.9° (Wide-Tele) vertical FOV: 37.1° to 1.7°(Wide-Tele) diagonal FOV: 68.8° to 3.4°(Wide-Tele)
Aperture	F1.6
PTZ	
Movement Range (Pan)	360°
Movement Range (Tilt)	0° to 90°
Pan Speed	pan speed: configurable from 0.1° to 160°/s; preset speed: 160°/s
Tilt Speed	tilt speed: configurable from 0.1° to 120°/s, preset speed 120°/s
Proportional Zoom	yes
Presets	300
Patrol Scan	8 patrols, up to 32 presets for each patrol
Pattern Scan	4 pattern scans, record time over 10 minutes for each scan
Power-off Memory	yes
Park Action	preset, pattern scan, patrol scan, auto scan, tilt scan, random scan, frame scan, panorama scan
PTZ Status Display	yes
Preset Freezing	yes
Scheduled Task	preset, pattern scan, patrol scan, auto scan, tilt scan, random scan, frame scan, panorama scan, dome reboot, dome adjust, aux output
Video	
Video Compression	H.265,H.264
SVC	yes
ROI	yes
Smart Features	
Smart Event	intrusion detection,line crossing detection,region entrance detection,region exiting detection,unattended baggage detection,object removal detection,Audio Exception Detection
Smart Record	ANR,Dual-VCA
Network	
Protocols	IPv4/IPv6,HTTP,HTTPS,802.1x,Qos,FTP,SMTP,UPnP,SNMP,DNS,DDNS,NTP,RTSP,RTP,TC P/IP,UDP,IGMP,ICMP,DHCP,PPPoE,Bonjour
API	Open-ended API, ONVIF (Profile S, Profile G), ISAPI, Hikvision SDK, Third-party management platform, ISUP
Simultaneous Live View	Up to 20 channels
User/Host	Up to 32 users. 3 levels: Administrator, Operator and User
Security Measures	User authentication (ID and PW), Host authentication (MAC address); HTTPS encryption; IEEE 802.1x port-based network access control; IP address filtering

Client	iVMS-4200
Web Browser	IE 8 to 11, Chrome 31.0+, Firefox 30.0+, Safari 11+
<b>Interface</b>	
Communication Interface	RJ45, Self-adaptive 10M/100M Ethernet port
On-board Storage	support microSD/microSDHC/microSDXC cards, up to 128 GB
Alarm Input	1 alarm input
Alarm Output	1 alarm output
Video Output	1.0V[p-p]/75Ω, PAL, NTSC, BNC connector
RS-485	Half duplex, HIKVISION, Pelco-P, Pelco-D, self-adaptive
<b>General</b>	
Power	DC12V, Max. 12 W; POE
Operating Conditions	Temperature: -30°C to 60°C (-22°F to 140°F), Humidity: ≤ 95%
Material	Enclosure: stainless steel 316L
Explosion-Proof	ATEX: SEV 20 ATEX 0415 X:  II 2 G Ex db IIC T6 Gb/  II 2 D Ex tb IIIC T80°C Db IECEx: IECEx NEP 20.0018X: Ex db IIC T6 Gb/Ex tb IIIC T80°C Db For explosive gas atmospheres, the maximum surface temperature is 85°C; For flammable dust atmospheres, the maximum surface temperature is 80°C; IIC: for explosive gas atmospheres other than mines susceptible to firedamp; For explosive gas mixture atmospheres: Zone 1, Zone 2, Zone 21, Zone 22.
Dimensions	Φ 264.2 mm × 184 mm (10.40" × 7.24")
Weight	Approx. 8 kg (17.64 lb)
<b>Approval</b>	
Protection	IP68, TVS 6000V Lightning Protection, Surge Protection and Voltage Transient Protection
Class	Class B
EMC	FCC (47 CFR Part 15, Subpart B); CE-EMC (EN 55032: 2015, EN 61000-3-2: 2014, EN 61000-3-3: 2013, EN 50130-4: 2011 +A1: 2014); RCM (AS/NZS CISPR 32: 2015); IC (ICES-003: Issue 6, 2016); KC (KN 32: 2015, KN 35: 2015)
Safety	UL (UL 60950-1); CB (IEC 60950-1:2005 + Am 1:2009 + Am 2:2013); CE-LVD (EN 60950-1:2005 + Am 1:2009 + Am 2:2013); BIS (IS 13252(Part 1):2010+A1:2013+A2:2015)
Environment	CE-RoHS (2011/65/EU); WEEE (2012/19/EU); Reach (Regulation (EC) No 1907/2006)

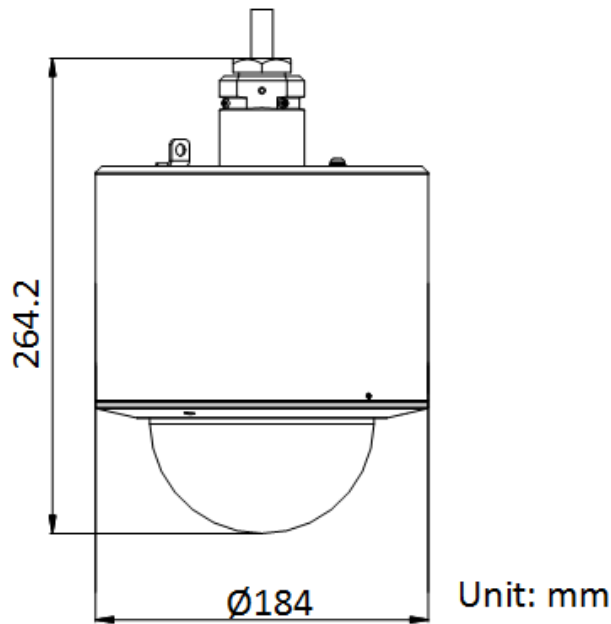
## DORI

The DORI (detect, observe, recognize, identify) distance gives the general idea of the camera ability to distinguish persons or objects within its field of view.

It is calculated based on the camera sensor specification and the criteria given by EN 62676-4: 2015.

DORI	Detect	Observe	Recognize	Identify
Definition	25 px/m	63 px/m	125 px/m	250 px/m
Distance (Tele)	1061.8 m (3483.6 ft)	421.4 m (1382.5 ft)	212.4 m (696.8 ft)	106.2 m (348.4 ft)

▪ **Dimension**



▪ **Accessory**

▪ **Included**



▪ **Optional**

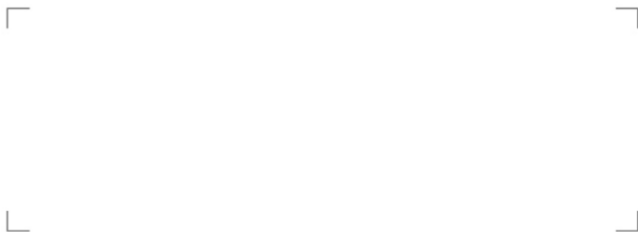


▪ **Available Model**

DS-2DF4220-DX(W/316L)

*\*You are recommended to purchase memory card together with the product if needed. After ordering, the memory card will be installed to product during manufacturing.*

Distributed by

**HIKVISION®****Headquarters**

No.555 Qianmo Road, Binjiang District,  
Hangzhou 310051, China  
T +86-571-8807-5998  
overseasbusiness@hikvision.com

**Hikvision USA**  
T +1-909-895-0400  
sales.usa@hikvision.com

**Hikvision Australia**  
T +61-2-8599-4233  
salesau@hikvision.com

**Hikvision India**  
T +91-22-28469900  
sales@pramahikvision.com

**Hikvision Canada**  
T +1-866-200-6690  
sales.canada@hikvision.com

**Hikvision Thailand**  
T +662-275-9949  
sales.thailand@hikvision.com

**Hikvision Europe**  
T +31-23-5542770  
sales.eu@hikvision.com

**Hikvision Italy**  
T +39-0438-6902  
info.it@hikvision.com

**Hikvision Brazil**  
T +55 11 3318-0050  
Latam.support@hikvision.com

**Hikvision Turkey**  
T +90 (216)521 7070- 7074  
sales.tr@hikvision.com

**Hikvision Malaysia**  
T +601-7652-2413  
sales.my@hikvision.com

**Hikvision UK & Ireland**  
T +01628-902140  
sales.uk@hikvision.com

**Hikvision South Africa**  
Tel: +27 (10) 0351172  
sale.africa@hikvision.com

**Hikvision France**  
T +33(0)1-85-330-450  
info.fr@hikvision.com

**Hikvision Kazakhstan**  
T +7-727-9730667  
nikia.panfilov@hikvision.ru

**Hikvision Vietnam**  
T +84-974270888  
sales.vt@hikvision.com

**Hikvision UAE**  
T +971-4-4432090  
salesme@hikvision.com

**Hikvision Singapore**  
T +65-6684-4718  
sg@hikvision.com

**Hikvision Spain**  
T +34-91-737-16-55  
info.es@hikvision.com

**Hikvision Tashkent**  
T +99-87-1238-9438  
uzb@hikvision.ru

**Hikvision Hong Kong**  
T +852-2151-1761  
info.hk@hikvision.com

**Hikvision Russia**  
T +7-495-669-67-99  
saleru@hikvision.com

**Hikvision Korea**  
T +82-(0)31-731-8817  
sales.korea@hikvision.com

**Hikvision Poland**  
T +48-22-460-01-50  
info.pl@hikvision.com

**Hikvision Indonesia**  
T +62-21-2933759  
Sales.Indonesia@hikvision.com

**Hikvision Colombia**  
sales.colombia@hikvision.com