

DS-2DF6A836XS-AEL(T2)

8 MP 36 × Network Speed Dome



Hikvision DS-2DF6A836XS-AEL(T2) 8 MP 36 × Network Speed Dome adopts 1/1.8" progressive scan CMOS chip. With the 36 × optical zoom lens, the camera offers more details over expansive areas. This series of cameras can be widely used for wide ranges of high-definition, such as the rivers, forests, roads, railways, airports, ports, squares, parks, scenic spots, stations and large venues, etc.

- 1/1.8" Progressive Scan CMOS
- Up to 3840 × 2160 resolution
- Min. Illumination: Color: 0.005 Lux @(F1.2, AGC ON), B/W: 0.0005 Lux @(F1.2, AGC ON)
- 36 × optical zoom, 16 × digital zoom
- 120 dB WDR, 3D DNR, EIS, HLC
- 24 VAC & Hi-PoE
- Support H.265+/H.265 video compression
- Support Rapid focus
- IK10, IP67
- Support detecting up to 30 faces at the same time. Support detecting, tracking, capturing, grading, selecting of face in motion, and output the best face picture of the face.
- Support vehicle detection (license plate number, vehicle model, and vehicle color recognition)
- Person arming: supports real-time modeling and comparison, arms and tracks predefined persons, and uploads the longitude and latitude information of the target during tracking
- Vehicle arming: supports vehicle detection and license plate recognition, arms and tracks predefined vehicles, and uploads the longitude and latitude information of the target during tracking



▪ Specification

Camera Module	
Image Sensor	1/1.8" progressive scan CMOS
Min. Illumination	color: 0.005 Lux @ (F1.2, AGC ON), B/W: 0.0005 Lux @ (F1.2, AGC ON)
Shutter Speed	1/1 s to 1/30,000 s
Slow Shutter	yes
Focus	semi-auto, manual, auto
Day & Night	ICR
BLC	yes
WDR	120 dB WDR
HLC	yes
3D DNR	yes
EIS	Yes. Built-in gyroscope to improve EIS performance.
Regional Exposure	yes
Regional Focus	yes
Image Settings	saturation, brightness, contrast, sharpness
Image Parameters Switch	yes
White Balance	auto, ATW, sodium lamp, fluorescent lamp, indoor, outdoor, MWB
Digital Zoom	16 ×
Optical Zoom	36 ×
Privacy Mask	up to 24 masks, mosaic mask, mask color configurable, rectangle region
SNR	≥ 55 dB
General Function	mirror, password protection, video tampering alarm, watermark, IP address filter
Optical Defog	yes
Lens	
Focal Length	6.0 mm to 216 mm, 36 × Optical
Zoom Speed	approx. 4.6 s
FOV	Horizontal field of view: 56.6° to 2.0° (wide-tele), Vertical field of view: 33.7° to 1.2° (wide-tele), Diagonal field of view: 63.4° to 2.3° (wide-tele)
Min. Working Distance	100 to 1500 mm
Aperture	F1.2
PTZ	
Movement Range (Pan)	360°
Movement Range (Tilt)	-20° to 90° (auto flip)
Pan Speed	pan speed: configurable from 0.1° to 300°/s; preset speed: 540°/s
Tilt Speed	tilt speed: configurable from 0.1° to 240°/s, preset speed 400°/s
Proportional Zoom	yes
Presets	300
Patrol Scan	8 patrols, up to 32 presets for each patrol
Pattern Scan	4 pattern scans, record time over 10 minutes for each scan
Power-off Memory	yes
Park Action	preset, pattern scan, patrol scan, auto scan, tilt scan, random scan, frame scan, panorama scan
3D Positioning	yes
PTZ Status Display	yes
Preset Freezing	yes
Scheduled Task	preset, pattern scan, patrol scan, auto scan, tilt scan, random scan, frame scan, panorama scan, dome reboot, dome adjust, aux output
Video	
Max. Resolution	3840 × 2160
Main Stream	50 Hz: 25 fps (3840 × 2160, 2560 × 1440, 1920 × 1080, 1280 × 960, 1280 × 720) 60 Hz: 30 fps (3840 × 2160, 2560 × 1440, 1920 × 1080, 1280 × 960, 1280 × 720)
Sub-Stream	50 Hz: 25 fps (704 × 576, 640 × 480, 352 × 288) 60 Hz: 30 fps (704 × 480, 640 × 480, 352 × 240)
Third Stream	50 Hz: 25 fps (1920 × 1080, 1280 × 960, 1280 × 720, 704 × 576, 640 × 480, 352 × 288), 60 Hz: 30 fps (1920 × 1080, 1280 × 960, 1280 × 720, 704 × 480, 640 × 480, 352 × 240)
Video Compression	H.265, H.264, MJPEG
H.264 Type	baseline profile, main profile, high profile
H.265 Type	main profile

H.264+	yes
H.265+	yes
SVC	yes
ROI	dynamic face tracking, fixed region, dynamic license plate tracking
Audio	
Audio Compression	G.711alaw, G.711ulaw, G.722.1, G.726, MP2L2, PCM
Audio Bit rate	64 Kbps (G.711)/16 Kbps (G.722.1)/16 Kbps (G.726)/32 Kbps to 192 Kbps(MP2L2)
Smart Features	
Face Capture	Support detecting up to 30 faces at the same time. Support detecting, tracking, capturing, grading, selecting of face in motion, and output the best face picture of the face.
Face Comparison	yes
Road Traffic	Support vehicle detection (license plate number, vehicle model, and vehicle color recognition)
Basic Event	motion detection, video tampering alarm, alarm input, alarm output, exception
Smart Event	intrusion detection, line crossing detection, region entrance detection, region exiting detection, unattended baggage detection, object removal detection, vandal-proof alarm, audio exception detection
Smart Tracking	manual tracking, event tracking, auto-tracking
Smart Record	ANR, Dual-VCA
Alarm Linkage	preset, patrol scan, pattern scan, memory card video recording, alarm output, sending email, notify surveillance center, upload to FTP
Smart Encoding	H.265+, H.264+, low bit rate, ROI
Network	
Network Storage	NAS (NFS, SMB/ CIFS)
Protocols	IPv4/IPv6, HTTP, HTTPS, 802.1x, Qos, FTP, SMTP, UPnP, SNMP, DNS, DDNS, NTP, RTSP, RTCP, RTP, TCP/IP, UDP, IGMP, ICMP, DHCP, PPPoE, Bonjour
API	Open-ended API, ONVIF (Profile S, Profile G), ISAPI, Hikvision SDK, Third-party management platform, ISUP
Simultaneous Live View	20
User/Host	32
Smooth Streaming	yes
Security Measures	Authenticated username and password, MAC address binding, HTTPS encryption, 802.1X authenticated access, IP address filter
Client	iVMS-4200, iVMS-4500, iVMS-5200, Hik-Connect
Web Browser	IE 10+, Chrome 57+, Firefox 52+, Safari 12+
Interface	
Communication Interface	RJ45,Self-adaptive 10M/100M Ethernet port
On-board Storage	Built-in memory card slot, support Micro SD/SDHC/SDXC, up to 256 GB; NAS (NFS, SMB/ CIFS), ANR
Alarm Input	7 alarm inputs
Alarm Output	2 alarm outputs
Audio Input	1 audio input
Audio Output	1 audio output, line level, impedance: 600 Ω
RS-485	HIKVISION, Pelco-P, Pelco-D, self-adaptive
General	
Power	24 VAC ± 25% (Max. 45 W, including max. 6 W for heater), Hi-PoE (Max. 50 W, including max. 6 W for heater)
Operating Conditions	Temperature: -40°C to 70°C (-40°F to 158°F), Humidity: ≤ 95%
Dimensions	Φ 231.1 mm × 355.6 mm (Φ 9.10" × 14")
Weight	Approx. 6 kg (13.23 lb)
Approval	
Protection	Lightning Protection, Surge Protection and Voltage Transient Protection, ±6kV Line to Gnd, ±3kV Line to Line, IEC61000-4-5, IP67 Standard, IK10

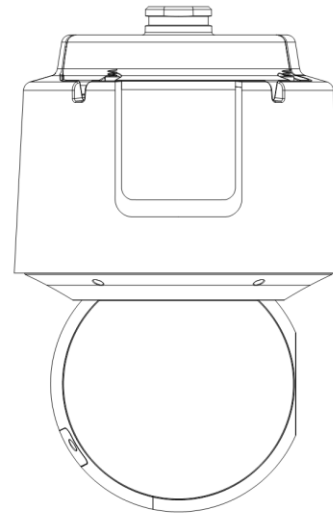
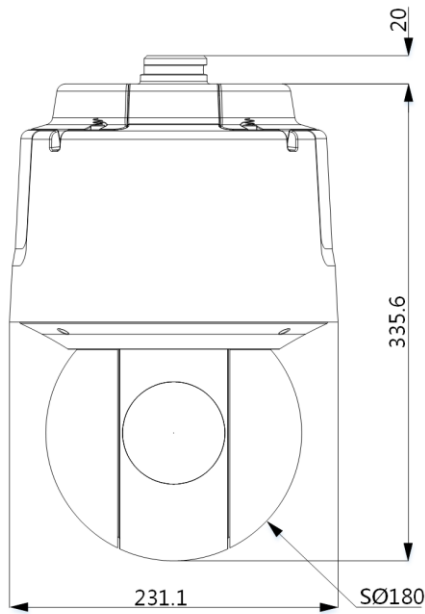
DORI

The DORI (detect, observe, recognize, identify) distance gives the general idea of the camera ability to distinguish persons or objects within its field of view.

It is calculated based on the camera sensor specification and the criteria given by EN 62676-4: 2015.

DORI	Detect	Observe	Recognize	Identify
Definition	25 px/m	63 px/m	125 px/m	250 px/m
Distance (Tele)	4440 m (14566.9 ft)	1761.9 m (5780.5 ft)	888.0 m (2913.4 ft)	444.0 m (1456.7 ft)

▪ Dimension



Unit:mm

▪ Accessory

Optional



DS-1602ZJ-P



DS-1602ZJ-Corner-P

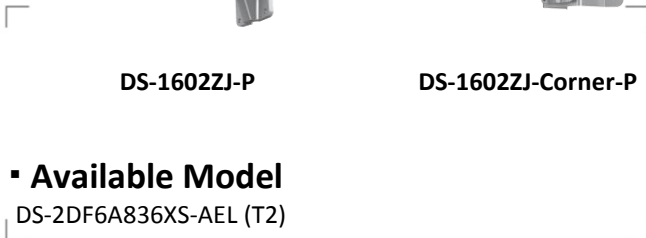


DS-1602ZJ-Pole-P



DS-1661ZJ-P

Distributed by



▪ Available Model

DS-2DF6A836XS-AEL (T2)

HIKVISION®

Headquarters

No.555 Qianmo Road, Binjiang District,
Hangzhou 310051, China
T +86-571-8807-5998
overseasbusiness@hikvision.com

Hikvision USA
T +1-909-895-0400
sales.usa@hikvision.com

Hikvision Australia
T +61-2-8599-4233
salesau@hikvision.com

Hikvision India
T +91-22-28469900
sales@pramahikvision.com

Hikvision Canada
T +1-866-200-6690
sales.canada@hikvision.com

Hikvision Thailand
T +662-275-9949
sales.thailand@hikvision.com

Hikvision Europe
T +31-23-5542770
sales.eu@hikvision.com

Hikvision Italy
T +39-0438-6902
info.it@hikvision.com

Hikvision Brazil
T +55 11 3318-0050
Latam.support@hikvision.com

Hikvision Turkey
T +90 (216)521 7070- 7074
sales.tr@hikvision.com

Hikvision Malaysia
T +601-7652-2413
sales.my@hikvision.com

Hikvision UK & Ireland
T +01628-902140
sales.uk@hikvision.com

Hikvision South Africa
Tel: +27 (10) 0351172
sale.africa@hikvision.com

Hikvision France
T +33(0)1-85-330-450
info.fr@hikvision.com

Hikvision Kazakhstan
T +7-727-9730667
nikia.panfilov@hikvision.ru

Hikvision Vietnam
T +84-974270888
sales.vt@hikvision.com

Hikvision UAE
T +971-4-4432090
salesme@hikvision.com

Hikvision Singapore
T +65-6684-4718
sg@hikvision.com

Hikvision Spain
T +34-91-737-16-55
info.es@hikvision.com

Hikvision Tashkent
T +99-87-1238-9438
uzb@hikvision.ru

Hikvision Hong Kong
T +852-2151-1761
info.hk@hikvision.com

Hikvision Russia
T +7-495-669-67-99
saleru@hikvision.com

Hikvision Korea
T +82-(0)31-731-8817
sales.korea@hikvision.com

Hikvision Poland
T +48-22-460-01-50
info.pl@hikvision.com

Hikvision Indonesia
T +62-21-2933759
Sales.Indonesia@hikvision.com

Hikvision Colombia
sales.colombia@hikvision.com