

## DS-2DF8C825IXS-AEL(T2)

### 8 MP 25 × Network IR Speed Dome

DarkFighter



Hikvision DS-2DF8C825IXS-AEL(T2) 8 MP 25 × Network IR Speed Dome adopts 1/1.2" progressive scan CMOS chip. With the 25 × optical zoom lens, the camera offers more details over expansive areas. This series of cameras can be widely used for wide ranges of high-definition, such as the rivers, forests, roads, railways, airports, ports, squares, parks, scenic spots, stations and large venues, etc.

- 1/1.2" Progressive Scan CMOS
- Up to 3840 × 2160 resolution
- Min. Illumination: Color: 0.002 Lux @(F1.6, AGC ON), B/W: 0.0002 Lux @(F1.6, AGC ON), 0 Lux with IR
- 25× optical zoom, 16× digital zoom
- 120 dB WDR, 3D DNR, EIS, HLC, Smart IR
- 24 VAC & Hi-PoE
- Up to 500 m IR distance
- Support H.265+/H.265 video compression
- Support Rapid focus
- IP67, IK10 (excluding glass window)
- Support detecting up to 30 faces at the same time. Support detecting, tracking, capturing, grading, selecting of face in motion, and output the best face picture of the face.
- Support vehicle detection (license plate number, vehicle model, and vehicle color recognition)
- Person arming: supports real-time modeling and comparison, arms and tracks predefined persons, and uploads the longitude and latitude information of the target during tracking
- Vehicle arming: supports vehicle detection and license plate recognition, arms and tracks predefined vehicles, and uploads the longitude and latitude information of the target during tracking



## ▪ Specification

Camera Module	
Image Sensor	1/1.2" progressive scan CMOS
Min. Illumination	Color: 0.002 Lux @(F1.6, AGC ON), B/W: 0.0002 Lux @(F1.6, AGC ON), 0 Lux with IR
Shutter Speed	1/1 s to 1/30,000 s
Slow Shutter	yes
Focus	semi-auto, manual, auto
Day & Night	ICR
Day/Night Switch	day, night, auto, scheduled-switch
BLC	yes
WDR	120 dB WDR
HLC	yes
3D DNR	yes
Defog	yes
EIS	Yes. Built-in gyroscope to improve EIS performance.
Regional Exposure	yes
Regional Focus	yes
Image Settings	saturation, brightness, contrast, sharpness
White Balance	auto, ATW, sodium lamp, fluorescent lamp, indoor, outdoor, MWB
Digital Zoom	16 ×
Optical Zoom	25 ×
Privacy Mask	up to 24 masks, polygon region, mosaic mask, mask color configurable
SNR	≥ 55 dB
General Function	mirror, password protection, video tampering alarm, watermark, IP address filter
Optical Defog	yes
Lens	
Focal Length	7.5 mm to 187.5 mm, 25 × Optical
Zoom Speed	approx. 6.8 s
FOV	Horizontal field of view: 60.4° to 3.7° (wide-tele), Vertical field of view: 36.2° to 2.1° (wide-tele), Diagonal field of view: 67.8° to 4.3° (wide-tele)
Aperture	F1.6
PTZ	
Movement Range (Pan)	360°
Movement Range (Tilt)	-20° to 90° (auto flip)
Pan Speed	pan speed: configurable from 0.1° to 210°/s; preset speed: 280°/s
Tilt Speed	tilt speed: configurable from 0.1° to 150°/s, preset speed 250°/s
Proportional Zoom	yes
Presets	300
Patrol Scan	8 patrols, up to 32 presets for each patrol
Pattern Scan	4 pattern scans, record time over 10 minutes for each scan
Power-off Memory	yes
Park Action	preset, pattern scan, patrol scan, auto scan, tilt scan, random scan, frame scan, panorama scan
3D Positioning	yes
PTZ Status Display	yes
Preset Freezing	yes
Scheduled Task	preset, pattern scan, patrol scan, auto scan, tilt scan, random scan, frame scan, panorama scan, dome reboot, dome adjust, aux output
Video	
Max. Resolution	3840 × 2160
Main Stream	50 Hz: 25 fps (3840 × 2160, 2560 × 1440, 1920 × 1080, 1280 × 960, 1280 × 720); 60 Hz: 30 fps (3840 × 2160, 2560 × 1440, 1920 × 1080, 1280 × 960, 1280 × 720),
Sub-Stream	50 Hz: 25 fps (704 × 576, 640 × 480, 352 × 288) 60 Hz: 30 fps (704 × 480, 640 × 480, 352 × 240)
Third Stream	50 Hz: 25 fps (1920 × 1080, 1280 × 960, 1280 × 720, 704 × 576, 640 × 480, 352 × 288) 60 Hz: 30 fps (1920 × 1080, 1280 × 960, 1280 × 720, 704 × 480, 640 × 480, 352 × 240)
Video Compression	H.265, H.264, MJPEG
Video Bit Rate	32 Kbps to 16384 Kbps
H.264 Type	baseline profile, main profile, high profile

H.265 Type	main profile
H.264+	yes
H.265+	yes
SVC	yes
ROI	dynamic face tracking, fixed region, dynamic license plate tracking
<b>Audio</b>	
Audio Compression	G.711alaw, G.711ulaw, G.722.1, G.726, MP2L2, PCM
Audio Bit rate	64 Kbps (G.711)/16 Kbps (G.722.1)/16 Kbps (G.726)/32 Kbps to 192 Kbps(MP2L2)
<b>Smart Features</b>	
Face Capture	Support detecting up to 30 faces at the same time. Support detecting, tracking, capturing, grading, selecting of face in motion, and output the best face picture of the face.
Face Comparison	yes
Road Traffic	Support vehicle detection (license plate number, vehicle model, and vehicle color recognition)
Basic Event	motion detection, video tampering alarm, alarm input and output, exception
Smart Event	unattended baggage detection, object removal detection, intrusion detection, line crossing detection, region entrance detection, region exiting detection, audio exception detection, vandal-proof alarm
Smart Tracking	manual tracking, panorama tracking, event tracking, support patrol tracking among multiple detection scenes
Smart Record	ANR, Dual-VCA
Alarm Linkage	preset, patrol scan, pattern scan, memory card video recording, alarm output, sending email, notify surveillance center, upload to FTP, NAS video recording
<b>Network</b>	
Network Storage	NAS (NFS, SMB/ CIFS)
Protocols	IPv4/IPv6, HTTP, HTTPS, 802.1x, Qos, FTP, SMTP, UPnP, SNMP, DNS, DDNS, NTP, RTSP, RTCP, RTP, TCP/IP, DHCP, PPPoE, UDP, IGMP, ICMP, Bonjour
API	Open-ended API, ONVIF (Profile S, Profile G), ISAPI, Hikvision SDK, Third-party management platform, ISUP
Simultaneous Live View	Up to 20 channels
User/Host	Up to 32 users. 3 levels: Administrator, Operator and User
Smooth Streaming	yes
Security Measures	Authenticated username and password, MAC address binding, HTTPS encryption, 802.1X authenticated access, IP address filter
Client	iVMS-4200, iVMS-4500, iVMS-5200, Hik-Connect
Web Browser	IE 10+, Chrome 57+, Firefox 52+, Safari 12+
<b>Interface</b>	
Communication Interface	RJ45, Self-adaptive 10M/100M Ethernet port
On-board Storage	Built-in memory card slot, support Micro SD/Micro SDHC/Micro SDXC, up to 256 GB; NAS (NFS, SMB/ CIFS), ANR
Alarm Input	7 alarm inputs
Alarm Output	2 alarm outputs
Audio Input	1 audio input, 2.0 to 2.4Vp-p, 1k Ohm±10%
Audio Output	1 audio output, line level, impedance: 600 Ω
Video Output	1.0V[p-p]/75Ω, PAL, NTSC, BNC connector
RS-485	HIKVISION, Pelco-P, Pelco-D, self-adaptive
<b>Supplement Light</b>	
IR Distance	500 m
Smart IR	yes
<b>General</b>	
Power	24 VAC (Max. 60 W, including max. 15 W for IR and max. 8 W for heater), PoE 802.3 bt (Max. 51 W, including max. 15 W for IR and max. 8 W for heater)
Operating Conditions	Temperature: -40°C to 70°C (-40°F to 158°F), Humidity: ≤ 95%
Material	ADC12
Dimensions	Φ 267 mm × 430 mm (Φ 10.51" × 16.93")
Weight	Approx. 9.6 kg (21.16 lb.)
Web Client Language	32 languages: English, Russian, Estonian, Bulgarian, Hungarian, Greek, German, Italian, Czech, Slovak, French, Polish, Dutch, Portuguese, Spanish, Romanian, Danish, Swedish, Norwegian, Finnish, Croatian, Slovenian, Serbian, Turkish, Korean, Traditional Chinese, Thai, Vietnamese, Japanese, Latvian, Lithuanian, Portuguese (Brazil)

**Approval**

Protection

Lightning Protection, Surge Protection and Voltage Transient Protection, ±6kV Line to Gnd, ±3kV Line to Line, IEC61000-4-5, IP67 Standard, IK10 (excluding glass window)

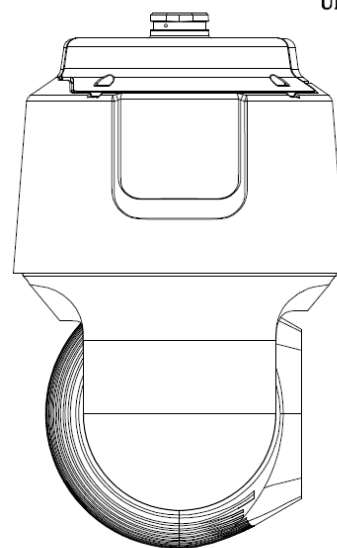
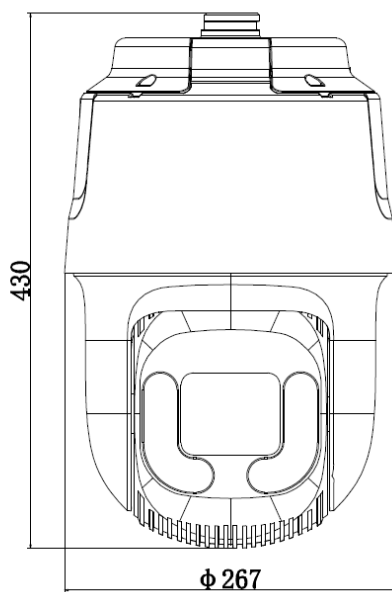
**DORI**

The DORI (detect, observe, recognize, identify) distance gives the general idea of the camera ability to distinguish persons or objects within its field of view.

It is calculated based on the camera sensor specification and the criteria given by EN 62676-4: 2015.

DORI	Detect	Observe	Recognize	Identify
Definition	25 px/m	63 px/m	125 px/m	250 px/m
Distance (Tele)	2358.6 m (7738.2 ft)	936.0 m (3070.9 ft)	471.7 m (1370.4 ft)	235.9 m (774.0 ft)

**Dimension**



Unit: mm

**Accessory**

**Included**

**Installation  
adapter**



▪ **Optional**

<b>DS-1604ZJ-P</b>	<b>DS-1663ZJ-P</b>	<b>DS-1660ZJ-P</b>	<b>DS-1661ZJ-P</b>	<b>DS-1619ZJ-HP2</b>
				
<b>DS-1662ZJ-P</b>	<b>DS-1667ZJ-P</b>	<b>DS-1682ZJ-P</b>	<b>DS-1604ZJ-Pole-P</b>	<b>DS-1604ZJ-Corner-P</b>
				
<b>DS-1604ZJ-BOX-P</b>	<b>DS-1604ZJ-BOX-CORNER-P</b>	<b>DS-1604ZJ-BOX-POLE-P</b>	<b>LAS60-57CN-RJ4 5</b>	<b>HKKD-13002 (EU) A24-5A-950 (USA) MKAC-76-245000 V (UK)</b>
				

▪ **Available Model**

DS-2DF8C825IXS-AEL (T2)



Distributed by



## **HIKVISION®**

### **Headquarters**

No.555 Qianmo Road, Binjiang District,  
Hangzhou 310051, China  
T +86-571-8807-5998  
overseasbusiness@hikvision.com

### **Hikvision USA**

T +1-909-895-0400  
sales.usa@hikvision.com

### **Hikvision Australia**

T +61-2-8599-4233  
salesau@hikvision.com

### **Hikvision India**

T +91-22-28469900  
sales@pramahikvision.com

### **Hikvision Canada**

T +1-866-200-6690  
sales.canada@hikvision.com

### **Hikvision Thailand**

T +662-275-9949  
sales.thailand@hikvision.com

### **Hikvision Europe**

T +31-23-5542770  
sales.eu@hikvision.com

### **Hikvision Italy**

T +39-0438-6902  
info.it@hikvision.com

### **Hikvision Brazil**

T +55 11 3318-0050  
Latam.support@hikvision.com

### **Hikvision Turkey**

T +90 (216)521 7070- 7074  
sales.tr@hikvision.com

### **Hikvision Malaysia**

T +601-7652-2413  
sales.my@hikvision.com

### **Hikvision UK & Ireland**

T +01628-902140  
sales.uk@hikvision.com

### **Hikvision South Africa**

Tel: +27 (10) 0351172  
sale.africa@hikvision.com

### **Hikvision France**

T +33(0)1-85-330-450  
info.fr@hikvision.com

### **Hikvision Kazakhstan**

T +7-727-9730667  
nikia.panfilov@hikvision.ru

### **Hikvision Vietnam**

T +84-974270888  
sales.vt@hikvision.com

### **Hikvision UAE**

T +971-4-4432090  
salesme@hikvision.com

### **Hikvision Singapore**

T +65-6684-4718  
sg@hikvision.com

### **Hikvision Spain**

T +34-91-737-16-55  
info.es@hikvision.com

### **Hikvision Tashkent**

T +99-87-1238-9438  
uzb@hikvision.ru

### **Hikvision Hong Kong**

T +852-2151-1761  
info.hk@hikvision.com

### **Hikvision Russia**

T +7-495-669-67-99  
saleru@hikvision.com

### **Hikvision Korea**

T +82-(0)31-731-8817  
sales.korea@hikvision.com

### **Hikvision Poland**

T +48-22-460-01-50  
info.pl@hikvision.com

### **Hikvision Indonesia**

T +62-21-2933759  
Sales.Indonesia@hikvision.com

### **Hikvision Colombia**

sales.colombia@hikvision.com