

DS-2DY3220IW-DE/DE4 2MP Network IR PTZ Camera



Hikvision DS-2DY3220IW-DE/DE4 2MP Network IR PTZ Cameras adopt 1/2.8" progressive scan CMOS chip. With the 20× optical zoom lens, the camera offers more details over expansive areas.

This series of cameras can be widely used for wide ranges of high-definition, such as the rivers, forests, roads, railways, airports, ports, squares, parks, scenic spots, stations and large venues, etc.



Key Features

- 1/2.8" Progressive Scan CMOS
- Up to 1920 × 1080 resolution
- 20× Optical Zoom, 16× Digital Zoom
- Digital WDR, 3D DNR, HLC, Smart IR
- Up to 100 m IR distance
- 12 VDC & PoE (802.3at, class4)
- Support H.265 video compression



Specification

Camera Module	
DS-2DY3220IW-DE/DE4 2MP Network IR PTZ Camera	
Image Sensor	1/2.8" progressive scan CMOS
Min. Illumination	Color: 0.05 Lux @(F1.6, AGC ON) B/W: 0.01 Lux @(F1.6, AGC ON) 0 Lux with IR
White Balance	Auto/Manual/ATW (Auto Tracking White Balance)/Indoor/Outdoor/Fluorescent Lamp/Sodium Lamp
AGC	Auto/Manual
Shutter Time	1/1 s to 1/30,000 s
Day & Night	IR Cut Filter
Digital Zoom	16×
Privacy Mask	8 programmable privacy masks
Focus Mode	Auto/Semi-automatic/Manual
3D DNR	Support
BLC	Support
Digital WDR	Support
Regional Exposure	Support
Regional Focus	Support
Lens	
Focal Length	4.7 mm to 94 mm, 20× Optical
Zoom Speed	Approx. 2.7 s (Optical Lens, Wide-Tele)
Field of View	61.4° to 2.9° (Wide-Tele)
Working Distance	10 mm to 1500mm (Wide-Tele)
Aperture Range	F1.6 to F3.5
IR	
IR Distance	Up to 100 m
IR Intensity	Automatically adjusted, depending on the zoom ratio
PTZ	
Movement Range (Pan)	360° endless
Pan Speed	Configurable, from 0.1°/s to 60°/s
Movement Range (Tilt)	From -40° to 30°
Tilt Speed	Configurable, from 0.1°/s to 30°/s
Proportional Zoom	Support
Presets	300
Patrol Scan	8 patrols, up to 32 presets for each patrol
Pattern Scan	4 pattern scans, record time over 10 minutes for each scan
Power-off Memory:	Support
Park Action	Preset/Pattern Scan/Patrol Scan/Auto Scan/Tilt Scan/Random Scan/Frame Scan/Panorama Scan
PTZ Position Display	ON/OFF
Preset Freezing	Support
Scheduled Task	Preset/Pattern Scan/Patrol Scan/Auto Scan/Tilt Scan/Random Scan/Frame Scan/Panorama Scan/Dome Reboot/Dome Adjust
Features	
Smart Detection	Intrusion Detection, Line Crossing Detection, Region Exiting Detection, Region Entrance Detection, Audio Exception Detection
ROI encoding	Main stream, sub-stream and third stream respectively support two fixed areas.

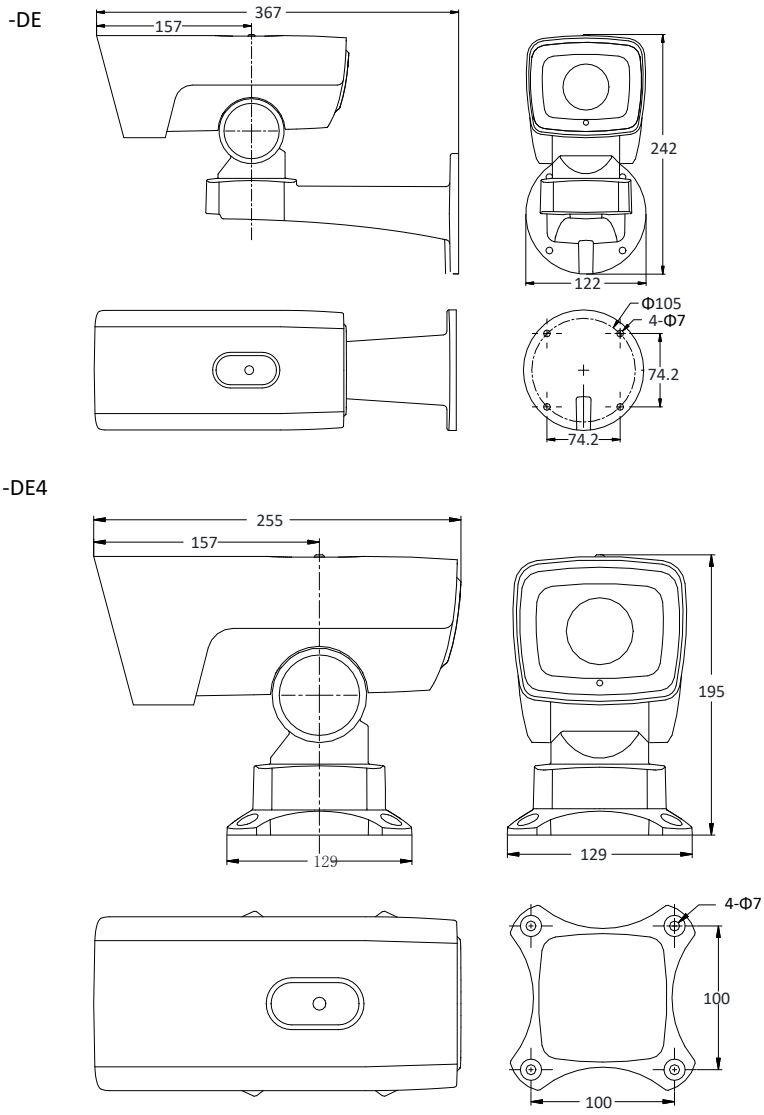
Network	
Max. Resolution	1920 × 1080
Main Stream	50Hz: 25fps (1920 × 1080, 1280 × 960, 1280 × 720) 50fps (1280 × 960, 1280 × 720) 60Hz: 30fps (1920 × 1080, 1280 × 960, 1280 × 720) 60fps (1280 × 960, 1280 × 720)
Sub-Stream	50Hz: 25fps (704 × 576, 640 × 480, 352 × 288) 60Hz: 30fps (704 × 480, 640 × 480, 352 × 240)
Third Stream	50Hz: 25fps (1920 × 1080, 1280 × 960, 1280 × 720, 704 × 576, 640 × 480, 352 × 288) 60Hz: 30fps (1920 × 1080, 1280 × 960, 1280 × 720, 704 × 480, 640 × 480, 352 × 240)
Video Compression	Main Stream: H.265+/H.265/H.264+/H.264 Sub-Stream: H.265/H.264/MJPEG Third Stream: H.265/H.264/MJPEG H.264 with Baseline/Main/High Profile
Audio compression	G.711alaw/G.711ulaw/G.722.1/G.726/MP2L2/PCM
Protocols	IPv4/IPv6, HTTP, HTTPS, 802.1x, Qos, FTP, SMTP, UPnP, SNMP, DNS, DDNS, NTP, RTSP, RTCP, RTP, TCP/IP, DHCP, PPPoE, Bonjour
Simultaneous Live View	Up to 20 channels
User/Host	Up to 32 users 3 levels: Administrator, Operator and User
Security Measures	User authentication (ID and PW), Host authentication (MAC address); HTTPS encryption; IEEE 802.1x port-based network access control; IP address filtering
System Integration	
Alarm Input	1-ch alarm input
Alarm Output	1-ch alarm output
Alarm Linkage	Alarm actions, such as Preset, Patrol Scan, Pattern Scan, Memory Card Video Record, Trigger Recording, Notify Surveillance Center, Upload to FTP/Memory Card/NAS, Send Email, etc.
Audio Input	1-ch audio input
Audio Output	1-ch audio output
Network Interface	1 RJ45 10 M/100 M Ethernet Interface; PoE (802.3at, class4)
Storage	Built-in memory card slot, support Micro SD/SDHC/SDXC, up to 128 GB; NAS (NPS, SMB/ CIFS), ANR
API	Open-ended, support ONVIF and CGI, support HIKVISION SDK and Third-Party Management Platform
Client	iVMS-4200, iVMS-4500, iVMS-5200
Web Browser	IE8+, Chrome31.0-44, Firefox30.0-51, Safari8.0+
General	
Power	12 VDC & PoE (802.3at, class4) Max.: 19 W
Working Environment	Working Temperature: Outdoor: -30°C to 65°C (-22°F to 149°F) Working Humidity: ≤ 90%
Protection Level	IP66 Standard; 6000V Lightning Protection, Surge Protection and Voltage Transient Protection
Dimensions(mm)	-DE: 367 mm × 122 mm × 242 mm (14.45" × 4.80" × 9.53") -DE4: 255 mm × 129 mm × 195 mm (10.03" × 5.08" × 7.68")
Weight	Approx. 3 kg (6.61 lb)

Order Model

DS-2DY3220IW-DE

DS-2DY3220IW-DE4

Dimensions



Unit: mm

Accessories



DS-1280ZJ-M (SPTZ) Junction Box



DS-1281ZJ-M (SPTZ) Inclined Base Mounting Bracket



DS-1275ZJ (SPTZ) Vertical Pole Mounting Bracket

Distributed by



HIKVISION®

Headquarters

No.555 Qianmo Road, Binjiang District,
Hangzhou 310051, China
T +86-571-8807-5998
overseasbusiness@hikvision.com

Hikvision USA
T +1-909-895-0400
sales.usa@hikvision.com

Hikvision Europe
T +31-23-55-42-770
info.eu@hikvision.com

Hikvision Middle East
T +971-4-8816086
salesme@hikvision.com

Hikvision Russia
T +7-495-669-67-99
saleru@hikvision.com

Hikvision India
T +91-22-28469900
sales@pramahikvision.com

Hikvision Italy
T +39-0438-6902
info.it@hikvision.com

Hikvision France
T +33(0)1-85-330-450
info.fr@hikvision.com

Hikvision Spain
T +34-91-737-16-55
info.es@hikvision.com

Hikvision Poland
T +48-22-460-01-50
poland@hikvision.com

Hikvision UK
T +01628-902140
support.uk@hikvision.com

Hikvision Singapore
T +65-6684-4718
sg@hikvision.com

Hikvision Oceania
T +61-2-8599-4233
salesau@hikvision.com

Hikvision Canada
T +1-909-895-0400
sales.usa@hikvision.com

Hikvision Korea
T +82-31-731-8841
sales.korea@hikvision.com

Hikvision Brazil
T +55 11 3318-0050
Latam.support@hikvision.com

Hikvision South Africa
Tel: +27 (10) 0351172
sale.africa@hikvision.com

Hikvision Hong Kong
T +852-2151-1761