

GCH-K1305B

2 Megapixel Full HD CMOS Box HD-SDI Camera ICR WDR



- Full HD, 1920 x 1080p, up to 50/60 fps over coax
- WDR (Wide Dynamic Range) for extreme backlight situations
- Video Enhancement: BLC, HLC, DNR
- Built-in Service Monitor Port & OSD Control Port
- Power Input AC24V/DC12V

SUMMARY

Based on the Television Standard for FullHD Television, HD-SDI products feature up to 2 Megapixel (1920x1080) pictures in real-time (30fps) transmitted over coax cabling.

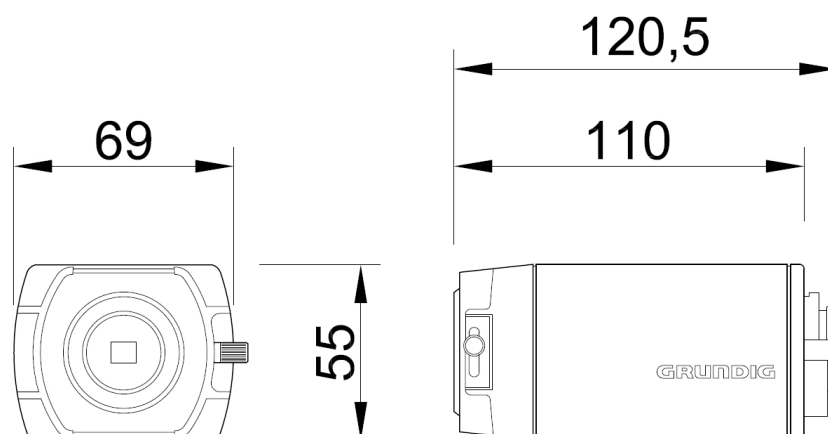
Get the advantages of IP technology without their drawbacks. Get 16:9 megapixel pictures without network configuration, bandwidth problems and network security risks. Use existing coax cables and only exchange the cameras and recorders. Get a "real" live picture and see the things that happen in the now, not a few seconds ago. Connect a monitor directly to a camera using only a HD-SDI-to-HDMI converter.

HD-SDI products are easy to handle, easy to install and produce amazing high quality pictures.

SPECIFICATIONS

| | |
|-------------------------------|---|
| Image Sensor | 1/3" CMOS 2.1 Megapixel |
| Pixels - Total | 2010(H) x 1108(V), 2.2M pixels |
| Pixels - Effective | 1944(H) x 1092(V), 2.1M pixels |
| Scanning System | Progressive |
| Image Size | 1920x1080, 1280x720 |
| Frame Rate | 30/60, 25/50 fps at 1080p; 30/60, 25/50 fps at 720p |
| Sensitivity Colour | 0.5 Lux @ F1.2 (IRE50) |
| Sensitivity B&W | 0.3 Lux @ F1.2 (IRE50) |
| Sens Up | x2 ~ x30 |
| S/N Ratio | >50 dB |
| Shutter Speed | AUTO, FLK, 1/25 ~ 1/50.000 Sec., x2 ~ x30 |
| Col/B&W | On/Off/Auto/Ext, IR-cut filter removable (ICR) |
| Lens Drive Type | DC Auto Iris |
| OSD | Yes, multi language |
| Camera ID | 15 character, On / Off |
| Flip/Mirror | On/Off |
| WDR | Off/Low/Middle/High |
| Number of Privacy Zones | 8 (polygonal method) |
| BLC Back Light | BLC, HSBLC, OFF |
| Digital Noise Reduction (DNR) | 2DNR/3DNR (Off/On) |
| Motion Detection | On/ Off/ Sensitivity/ Area setting |
| Sharpness | Off / On (0~15) |
| Digital Zoom | Off/x2 ~ x62 |
| White Balance | ATW, AWB, AWC, Manual |
| De-Fog | Off/On Area Setting |
| Dead Pixel Compensation (DPC) | Live (On/Off/Auto), Static (On/Off) |
| Video Outputs | 1 Ch HD-SDI BNC or 1 Ch Composite BNC |
| Operating Temperature | -10°C ~ +50°C |
| Storage Temperature | -20°C ~ +60°C |
| Humidity | less than 85% |
| Supply Voltage | 24 Vac / 12 Vdc |
| Power Consumption | 9 W |
| Weight | 0.33 kg |
| Dimensions w*h*d | 69 x 55 x 120.5 mm |

DIMENSIONS



ACCESSORIES



GBR-WA03
Camera Bracket



GTH-K0011E
1Ch HD-SDI Repeater & 2 Ch
Distributor



GTH-K0011E
1Ch HD-SDI Repeater & 2 Ch
Distributor