

LINEA 6P

CAMERA HOUSING

Wall Mount Camera Housing,

Weatherproof IP66

Heater with thermostat, Blower kit,

Protected wall bracket BWP

Aluminium body



USER FRIENDLY

All opening and closing operations can be done with just one tool.

FULL OPTIONAL

Power supply, heater and blower kit can be factory installed.

CABLE MANAGEMENT

Cable Management through the Protected Wall bracket BWP.

SUITABLE FOR OUTDOOR AND INDOOR

Weatherproof rated, the integrated sunshield and the large window guarantee clear images and no vignetting



tekno system[®]

Italian design for CCTV since 1979

Tekno System S.p.A.

Via Rostoncello, 1 - 36010 Carrè - Italy

Phone: +39 0445 314324 | Fax: +39 0445 314319

Email: info@teknosystem.eu | Web: www.teknosystem.eu



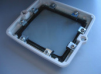


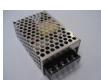



rev. 070912

Page 1 / 4





LINEA 6P

CAMERA HOUSING

ACCESSORIES

HT	Heater with thermostat: 12-24Vac/dc or 100-240Vac	
V6	Blower kit with thermostat	
VA6	Vandal proof glass (IK08)	
SS6	Sunshield	
AL12, AL24	Power Supply Unit: 400mA, 230Vac/12Vdc or 230Vac/24Vac	
ALWR	Wide Range Power Supply: Vin 88-264V Vout 12Vdc 2,1A	
EL	Camera spacers	
TS	Tamper Switch (available only factory installed)	
BWP	Protected Wall bracket	
VG6	Germanium window for thermal cameras (available only factory installed)	

RELATED PRODUCTS

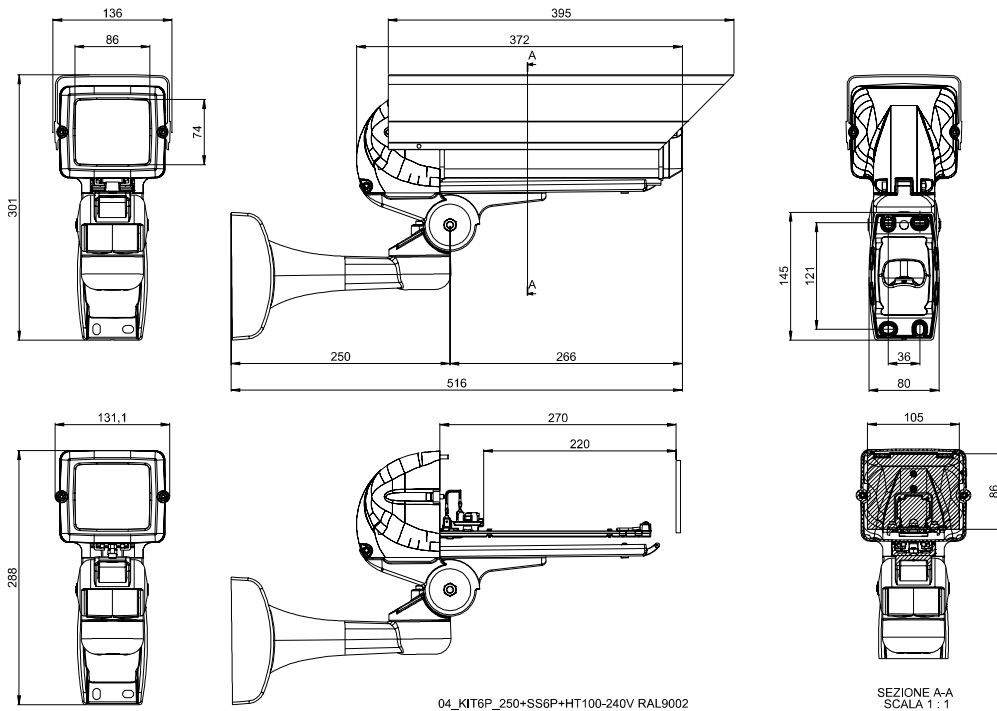
PA1	Pole mount adapter for one bracket	
PA2	Pole mount adapter for two brackets	
CM	Corner mount adapter	
HYP1	Infrared Illuminator	



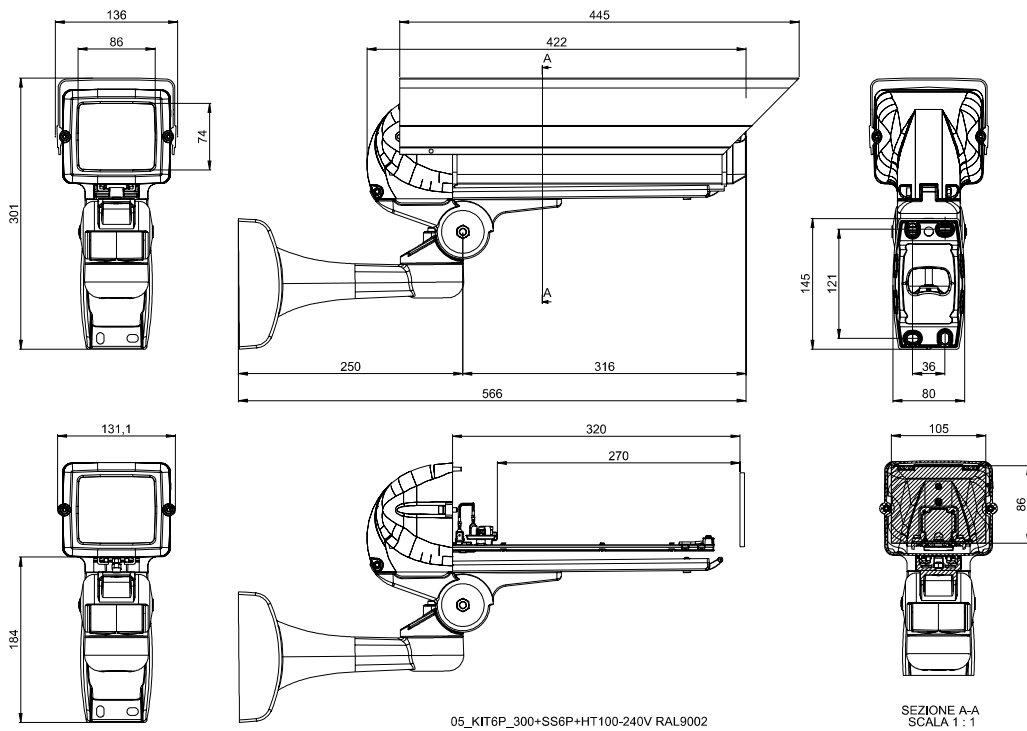
LINEA 6P

CAMERA HOUSING

DIMENSIONS LINEA 6P/250



LINEA 6P/300



tekno system[®]
Italian design for CCTV since 1979

Tekno System S.p.A.
Via Rostoncello, 1 - 36010 Carrè - Italy
Phone: +39 0445 314324 | Fax: +39 0445 314319
Email: info@tekno-system.eu | Web: www.tekno-system.eu

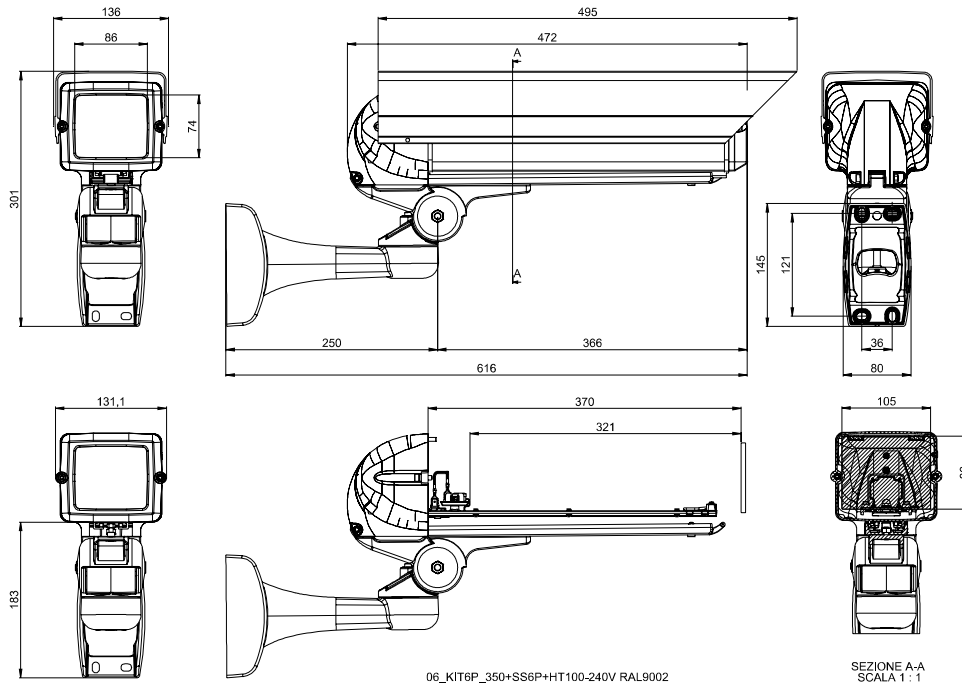
rev. 070912

Page 3 / 4

LINEA 6P

CAMERA HOUSING

DIMENSIONS LINEA 6P/350



SPECIFICATION

General

- Extruded aluminium body and sunshield
- Die cast Aluminium parts
- RAL9002 Polyester powder coating
- Supplied with: instruction manual, silicagel bag, 1/4" camera fixing screw, BWP protected wall bracket.

Mechanical

- Internal useful area: 105 x 86mm
- Internal useful length LINEA 6P/250: 220mm
- Internal useful length LINEA 6P/300: 270mm
- Internal useful length LINEA 6P/350: 320mm
- Usable Glass Windows 82 x 72mm
- Zinc coated screws

Electrical

- Heater Thermostat $T_{on} 15^{\circ}C (59^{\circ}F) \pm 5^{\circ}C$ $T_{off} 22^{\circ}C (71.6^{\circ}F) \pm 4^{\circ}C$
- Heater PTC:
 - 100-240VAC input (average consumption 10W, 40W peak)
 - 12-24VAC/DC input (average consumption 7W, 20W peak)
- Blower Thermostat $T_{on} 37^{\circ}C (98.6^{\circ}F) \pm 4^{\circ}C$ $T_{off} 27^{\circ}C (80.6^{\circ}F) \pm 3^{\circ}C$
- Blower with double air filter:
 - 230VAC input / 24VDC fan output (consumption 1W)
 - 24VAC input / 24VDC fan output (consumption 1W)
 - 12VDC input / 12VDC fan output (consumption 1W)
- Camera power supply unit:
 - ALWR: Vin 88-264V~ 47/63Hz Vout 12VDC 2,1A;
 - AL12 Vin 230V~ 50Hz Vout 12VDC 400mA;
 - AL24 Vin 230V~ 50Hz Vout 24V~ 50Hz 400mA;

Environment

- Indoor / Outdoor applications
- Temperature range with heater: $-20^{\circ}C (-4^{\circ}F)$ up to $+50^{\circ}C (+122^{\circ}F)$
- IP66 weatherproof rating (according to EN60529) IP54 in case of blower kit with air filters installed
- CE according to EN61000-6-3, EN60950, EN50130-4
- RoHS compliant

Technical data and product features might be modified without any warning.



tekno system[®]

Italian design for CCTV since 1979

Tekno System S.p.A.

Via Rostoncello, 1 - 36010 Carrè - Italy

Phone: +39 0445 314324 | Fax: +39 0445 314319

Email: info@teknoystem.eu | Web: www.teknoystem.eu

rev. 070912

Page 4 / 4