

# PSCLB series power supply

## Buffer switch mode power supply unit 13,8V DC, IP67



CODE: **PSCLB13810** v1.0/1  
 TYPE: **PSCLB 13,8V/1A** buffer switch mode power supply unit

EN

### Features of the power supply unit:

- DC13,8 V/1 A uninterrupted supply + 0,3 A battery charging current
- universal AC input voltage range 90÷264 V
- high efficiency 80%
- battery charging and maintenance control
- deep discharge battery protection (UVP)
- battery output protection against short circuit and reverse polarity connection
- IP 67 case
- protections:
  - SCP short-circuit protection
  - overvoltage protection (AC input)
  - overload (OLP)
- warranty – 2 year from the production date



### DESCRIPTION

The buffer power supply is designed for uninterrupted supply of devices requiring stabilized voltage of **12 V DC (+/- 15%)**. The PSU supplies voltage of **13,8 V DC** with current efficiency of **I = 1 A + 0,3 A battery charging**. In the case of mains power failure, the unit will instantly switch to battery power. The power supply unit is protected against short-circuit, overload and overvoltage.

**During normal operation, the total current drawn by the device cannot exceed I=1 A. The maximum battery charging current is 0,3 A. The total current of the receivers + battery is max. 1,3 A.**

### SPECIFICATIONS

Supply voltage	AC 90÷264 V/50Hz
Current consumption	0,2 A@230 V max.
Supply power	18 W max.
Efficiency	80%
Output voltage	11 V÷ 13,8 V DC – buffer operation 9 V÷ 13,8 V DC – battery operation
<b>Output current</b>	<b>1 A + 0,3 A battery charging</b>
Ripple voltage	100mV p-p max.
Battery charging current	0,3 A max.
Current consumption by PSU systems	50mA/13,8 V DC
Short-circuit protection SCP	failure melting fuse in the battery circuit (requires fuse replacement)
Overload protection OLP	150-200% of power supply, automatic recovery
Surge protection (AC input)	varistor
Deep discharge battery protection UVP	U<9 V (+/- 0,5 V) – disconnection of the battery terminal
Fuse	F1 A/250 V, mounted using a positive battery cable (BAT+)
IP protection class	IP67
Operation conditions	temperature -10 °C÷40 °C relative humidity 20%...90% without condensation
Dimensions (LxWxH)	135 x 50 x 33 [mm]
Net/gross weight	0,3kg / 0,4kg
Protection class EN 60950-1:2007	II (second)
Length of DC cable	0,5 m
Length of AC cable	0,4 m
Storage temperature	-20°C...+60°C

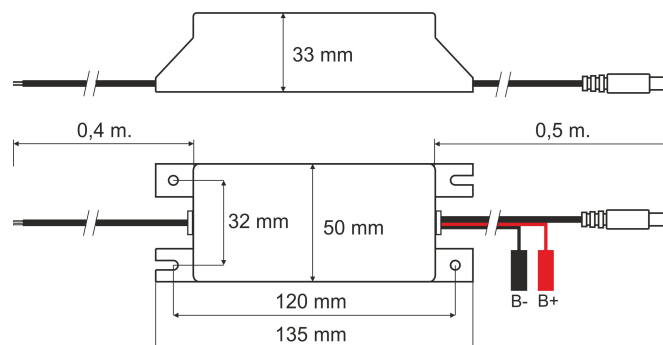


Fig.1 Dimension of power supply.