

iA (intelligent Auto) H.265 Compact Dome Camera

Panasonic WV-S3511L is a compact & simple design multifunction camera that achieves high visibility even under extreme conditions and can be placed in a small space without damaging the landscape. Intelligent Auto (iA) allows the camera to automatically adjust the key settings in real-time depending on the scenery and movement, reducing distortion such as motion blur and moving objects. New industry-leading 134dB dynamic range delivers balanced scene exposure in dynamic and extreme-backlit lighting environments. In addition, color night vision provides outstanding low-light performance with accurate color rendition and saturation from i-Pro's 1/3" sensor, rivaling the performance of costlier 1/2" sensor cameras in the market. The adopted H.265 Smart Coding technology, intelligently reduces bandwidth efficiency of up to 95%* more than conventional H.264 for longer recording and less storage. Cameras out-of-the-box, use an encryption module standardized by FIPS Publication 140-2 for secure video streaming.

*Value in Advanced mode with Smart Facial Coding depends on scene.

Extreme image quality allows evidence to be captured even under challenging conditions

- Auto Shutter speed control for fast moving objects with Intelligent Auto
- Sharp and clear images of a walking person day & night
- Outstanding low light performance in true color with low noise for night time applications
- Super Dynamic 134dB for backlit situations involving headlights and shadows on night streets
- Built-in IR LED to produce a clear monochrome image in 0 lux conditions with 15 m (49 feet) irradiation distance
- Wide area surveillance even in compact design. moreover, corridor mode to survey vertically long area.
- Environmental durability : IP66, IK10

Extreme bandwidth compression with new Panasonic H.265 Smart Coding

- Longer recording and less storage compared to any H.264 based compression techniques
- New self-learning ROI* encoding (Auto VIQS) detects movement within the image and compresses the areas with little motion in order to reduce transmitted data while maintaining the quality of the image.
- New "Smart Facial Coding" adds more bandwidth reduction for ID camera applications mainly capturing faces

*Region of Interest

Extreme Data Security

- Full encryption microSDXC/microSDHC/microSD card edge recording to keep your data safe
- FIPS140-2 CAVP compliant *Using encryption module standardized by FIPS publication 140-2
- Full end-to-end system encryption with supported VMS and devices to protect from IP snooping/spoofing and detect data alteration

Key Features

- HD 720p 60fps
- iA (intelligent Auto)
- Extreme Super Dynamic 134dB
- Color night vision (0.0013 to 0.02 lx)
- H.265 Smart Coding
- Built-in IR LED
- Corridor mode
(90 degrees or 270 degrees in image rotation)
- i-VMD License Bundled

Industry examples

- Education
- Retail
- Bank (ATM)
- Building



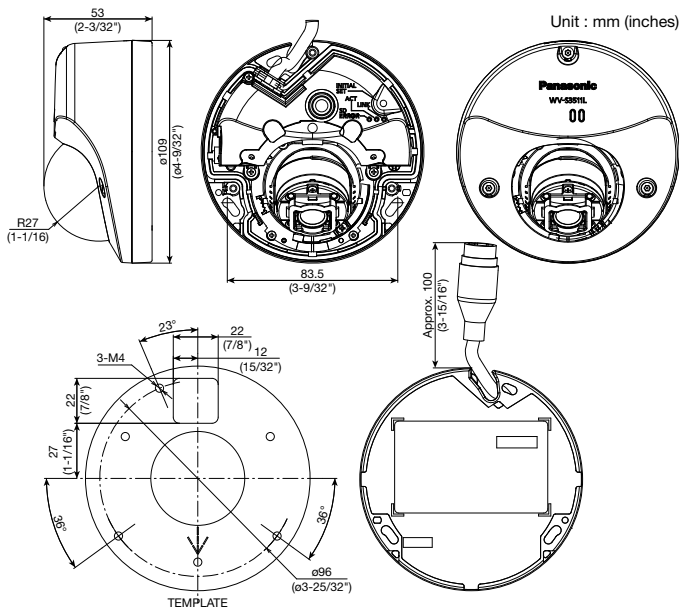
Specifications

Camera	Image Sensor	Approx. 1/3 type CMOS image sensor	
	Minimum Illumination	Color : 0.02 lx, BW : 0.01 lx (F2.3, Maximum shutter : Off (1/30s), AGC : 11) BW : 0 lx (F2.3, Maximum shutter : Off (1/30 s), AGC : 11, when the IR LED is lit) Color : 0.0013 lx, BW : 0.0007 lx (F2.3, Maximum shutter : max. 16/30s, AGC : 11) *1	
	White Balance	AWC (2,000 - 10,000 K), ATW1 (2,700 - 6,000 K), ATW2 (2,000 - 6,000 K)	
	Maximum shutter	Max. 1/10000 s to Max. 16/30 s	
	Intelligent Auto	On / Off	
	Super Dynamic ²	On / Off, the level can be set in the range of 0 to 31.	
	Dynamic Range	134 dB typ. (Super Dynamic : On)	
	Adaptive Black Stretch	The level can be set in the range of 0 to 255.	
	Back light compensation / High light compensation	BLC (Back light compensation) / HLC (High light compensation) / Off (only when Super dynamic / Intelligent Auto : Off)	
	Fog compensation	On / Off (only when Intelligent auto / auto contrast adjust : Off)	
	Maximum gain	The level can be set in the range of 0 to 11.	
	Color/BW (ICR)	Off / On (IR Light Off) / On (IR Light On) / Auto1 (IR Light Off) / Auto2 (IR Light On) / Auto3 (SCC)	
	IR LED Light	High / Middle / Low / Off, Maximum irradiation distance : 15 m (Approx. 49 ft)	
	Digital Noise Reduction	The level can be set in the range of 0 to 255.	
	Video Motion Detection (VMD)	On / Off, 4 areas available	
	Intelligent VMD (i-VMD) ³	Type 4 *Bundled License	
	Privacy Zone	On / Off (up to 8 zones available)	
	Image rotation ⁴	0° / 90° / 180° (Upside-down) / 270°	
	Mirror	On / Off	
	Camera Title (OSD)	On / Off Up to 20 characters (alphanumeric characters, marks)	
Zoom Ratio	1 x Optical		
Digital (electronic) zoom	Choose from 3 levels of x1, x2, x4		
Focal length	2.8 mm (1/8 inches)		
Angular Field of View	[16 : 9 mode] Horizontal : 97° Vertical : 54° [4 : 3 mode] Horizontal : 97° Vertical : 72°		
Maximum Aperture Ratio	1 : 2.3		
Focus range	0.5 m (19-11/16 inches) – ∞		
Adjusting Angle	Horizontal (PAN) angle : ±45°, Vertical (TILT) angle : 0 to +90°, Azimuth (YAW) angle : ±90°		
Browser GUI	Camera Control	Brightness	
	GUI / Setup Menu Language	English, Italian, French, German, Spanish, Portuguese, Russian, Chinese, Japanese	
Network	Network IF	10Base-T / 100Base-TX, RJ45 connector	
	Resolution	•1.3 mega pixel [16 : 9] (30/60 fps) 1,280 x 720 / 640 x 360 / 320 x 180 •1.3 mega pixel [4 : 3] (30 fps) 1,280 x 960 / 800 x 600 / 640 x 480 / 400 x 300 / 320 x 240	
	H.265 / H.264 JPEG (MJPEG)	Constant bit rate / VBR / Frame rate / Best effort	
	H.265 / H.264 ⁵ JPEG	Transmission Mode / Transmission Type / Image Quality / Smart Coding	
	Smart Coding	GOP(Group of pictures) control [When H.264 is selected] Off / On(Low) / On(Mid) / On(High) [When H.265 is selected] Off / On(Low) / On(Mid) / On(High) / On(Advanced) / On(Frame rate control)	
	Smart Facial Coding ⁶	Off / On(AUTO VIOS) / On(Smart Facial Coding) *Smart Facial Coding is only available with Stream(1).	

Network	Audio Compression	G.726 (ADPCM) : 16 kbps / 32 kbps G.711 : 64 kbps AAC-LC ⁶ : 64 kbps / 96 kbps / 128 kbps
	Supported Protocol	IPv6 : TCP/IP, UDP/IP, HTTP, HTTPS, RTP, FTP, SMTP, DNS, NTP, SNMP, DHCPv6, MLD, ICMP, ARP, IEEE 802.1X, DiffServ IPv4 : TCP/IP, UDP/IP, HTTP, HTTPS, RTSP, RTP, RTP/RTCP, FTP, SMTP, DHCP, DNS, DDNS, NTP, SNMP, UPnP, IGMP, ICMP, ARP, IEEE 802.1X, DiffServ
Alarm	No. of Simultaneous Users	Up to 14 users (Depends on network conditions)
	microSDXC/microSDHC/microSD Memory Card ^{7,8}	H.265 / H.264 recording : Manual REC / Alarm REC (Pre/Post) / Schedule REC / Backup upon network failure JPEG recording : Manual REC / Alarm REC (Pre/Post) / Backup upon network failure Compatible microSDXC/microSDHC/microSD memory recording : Panasonic 2 GB, 4 GB*, 8 GB*, 32 GB*, 64 GB**model *microSDHC card, **microSDXC card
Mobile Terminal Compatibility	iPad, iPhone, Android™ mobile terminals	
Alarm	Alarm Source	VMD alarm ⁹ , Command alarm, Audio detection alarm
	Alarm Actions	microSDXC/microSDHC/microSD memory recording, E-mail notification, HTTP alarm notification Indication on browser, FTP image transfer, Panasonic alarm protocol output
Input/Output	Built-in microphone	Nondirectional electret condenser microphone
General	Safety	UL (UL60950-1 2Ed), c-UL (CAN/CSA C22. NO.60950-1-07), CE, IEC60950-1
	EMC	FCC (Part15 Subpart B, ClassA, SDOc), ICES-003 ClassA, EN55032 ClassB, EN55024, ECE-R10, EN50498, EN50121
	Power Source and Power Consumption	PoE (IEEE802.3af compliant) Device : DC48 V 80 mA, Approx. 3.8 W (Class 2 device)
	Ambient Operating Temperature	-30 °C to +50 °C (-22 °F to 122 °F)
	Ambient Operating Humidity	{Power On range : -20 °C to +50 °C (-4 °F to +122 °F)} 10 to 100 % (no condensation)
	Water and Dust Resistance	IP66 (IEC60529), Type 4X(UL50), NEMA 4X compliant
	Shock Resistance	IK10 (IEC 62262)
	Railway Application	EN50155 : 2017 Class OT2/ST2 (EN 50155 : 2007 Class TX), IEC62236-3-2
	Dimensions	ø109 mm x 53 mm (H) (ø4-9/32 inches x 2-3/32 inches (H)) Dome radius 27 mm (1-1/16 inches)
	Mass (approx.)	Approx. 410 g (0.91 lbs)
Finish	Main body : Aluminum die cast, Light gray Dome section : Polycarbonate resin, Clear	

- *1 Converted value
 *2 Super Dynamic function is automatically set off on 60 fps mode.
 *3 Smart Facial Coding, i-VMD can not be used at the same time.
 *4 Settings of [90 °] and [270 °] are only available for the [16 : 9] mode.
 *5 Transmission for 4 streams can be individually set.
 *6 When recording audio on a microSDXC/microSDHC/microSD memory card, only use AAC-LC (Advanced Audio Coding - Low Complexity).
 *7 The replacement cycle (target) of a microSD memory card differs from that of a standard size SD memory card. For details, check the content of the Panasonic Support website ([https:// security.panasonic.com/support/info/](https://security.panasonic.com/support/info/)) (Control No.: C0117>).
 *8 For details, check the content of the Panasonic Support Web Site (<https://security.panasonic.com/support/info/>) (Control No.: C0107)<Control No.: C0306><Control No.: C0307>
 *9 Including alarms from Plug-in Software

Appearance



Bundled License

Plug-in Software for i-VMD

i-VMD is possible to detect objects in the specified area by advanced video analysis technology.
 i-VMD : Intruder Detection, Loitering Detection, Direction Detection, Scene Change Detection, Object Detection, Cross Line Detection



Trademarks and registered trademarks

- iPad and iPhone are trademarks of Apple Inc., registered in the U.S. and other countries.
- Android is a trademark of Google LLC.
- ONVIF and the ONVIF logo are trademarks or registered trademarks of Onvif Inc.
- All other trademarks identified herein are the property of their respective owners.

Important

- Safety Precaution : Carefully read the Important Information, Installation Guide and operating instructions before using this product.
- Panasonic cannot be responsible for the performance of the network and/or other manufacturers' products used on the network.

- Masses and dimensions are approximate. • Specifications are subject to change without notice.

DISTRIBUTED BY :

Panasonic

<https://security.panasonic.com>

<https://www.facebook.com/Panasonicnetworkcamera/>

(2A-216AA)