

IR LED unit WV-SPN6FRL1



IR LED unit :
WV-SPN6FRL1

WV-SPN6FRL1 / WV-SPN631

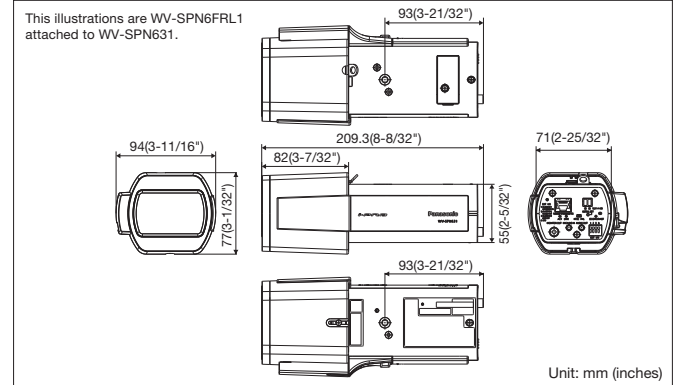
Features

IR LED unit : WV-SPN6FRL1 can be attached to WV-SPN6 Series network camera. It allows the camera to shoot the video by emitting an infrared ray even in a dark place.

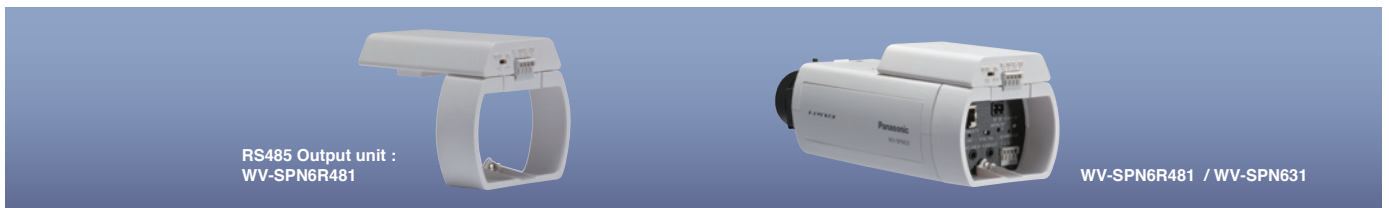
Specifications

IR LED irradiation distance	Approx. 30 m (98.43 feet) (*When the recommended lens attached to the WV-SPN631 is used in the wide field of view)
Applicable Lens	Refer to the Panasonic support website (http://security.panasonic.com/pss/security/support/info.html)
Ambient Operating Temperature	-10°C ~ +50°C (14 °F ~ 122 °F)
Ambient Operating Humidity	10 ~ 90 % (no condensation)
Power Source	Supplied from the camera
Dimensions	94 mm (W) x 77 mm (H) x 82 mm (D) (3-11/16 inches (W) x 3-1/32 inches (H) x 3-7/32 inches (D))
Mass (approx.)	Approx. 140g (0.31 lbs)
Finish	Unit (resin part): PC/ABS resin, sail white
Supported camera	WV-SPN631, WV-SPN611

Appearance



RS485 Output unit WV-SPN6R481



RS485 Output unit :
WV-SPN6R481

WV-SPN6R481 / WV-SPN631

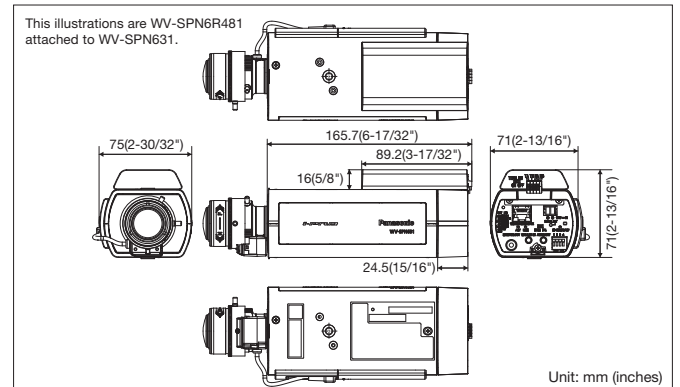
Features

WV-SPN6R481 RS-485 Output unit enables the cameras easily to install on the 3rd party's pan/tilt positioner, converting control signal from IP to RS-485.

Specifications

Serial Port	RS485 compliant (For external device control)
Camera Control Protocol	Pelco-D/Pelco-P/Custom
Termination Switch	ON/OFF
Ambient Operating Temperature	-10°C ~ +50°C (14 °F ~ 122 °F)
Ambient Operating Humidity	20 ~ 90 % (no condensation)
Power Source	Supplied from the camera
Dimensions	71 mm (W) x 71 mm (H) x 89.2 mm (D) (2-13/16"(W) x 2-13/16"(H) x 3-17/32 inches (D))
Mass (approx.)	Approx. 60g (0.13 lbs)
Finish	Resin part: PC/ABS resin, sail white / Metal part: Electro galvanized steel sheet / sail white coating
Supported camera	WV-SPN631, WV-SPN611

Appearance



Important

- Safety Precaution: Carefully read the Important Information, Installation Guide and operating instructions before using this product.
- Panasonic cannot be responsible for the performance of the network and/or other manufacturers' products used on the network.

- Masses and dimensions are approximate. • Specifications are subject to change without notice.

DISTRIBUTED BY: