



HD / 1,280 x 960 H.264 Network Camera featuring *Super Dynamic*

Key Features

- 720p HD images up to 30 fps
- Newly developed 1.3 Megapixel high sensitivity MOS Sensor
- Multiple H.264 (High profile) streams and JPEG streams ensure simultaneous real time monitoring and high resolution recording by “UniPhier[®]”, Panasonic’s proprietary System LSI platform.
- Full frame (Up to 30 fps) transmission at 1,280 x 960 image size
- **Super Dynamic** and ABS (Adaptive Black Stretch) technologies deliver 128x wider dynamic range compared to conventional cameras.
- **Face Super Dynamic** Range technology ensures clear face image.
- H.264 and MPEG-4 are selectable for system migration.
- High sensitivity with Day/Night (IR) function:
WV-SW316L : 0.3 lx (Color), 0 lx (B/W) at F1.3 (Wide) when the IR LED is lit
WV-SW316 : 0.3 lx (Color), 0.05 lx (B/W) at F1.3 (Wide)
- Motorized varifocal lens equipped:
The zoom ratio can be changed and adjusted to an optional photographic area through the operation buttons on this unit and the setup menu.
- IR LED equipped: The equipped infrared LED makes it possible to take pictures at zero lx.(WV-SW316L)
- VIQS (Variable Image Quality on Specified area) technology allows the designated area to retain higher image quality while the excluded area will have a decreased image quality, which enables to use lower image file size and bit rate.
- ABF (Auto Back Focus) ensures easy installation.
- Digital Noise Reduction: 3D-DNR ensures noise reduction in various conditions.
- Electronic sensitivity enhancement: Auto (Up to 16x) / OFF
- Up to 6.4x Extra Optical Zoom at VGA resolution.
3.1-10 mm, 3.2x vari-focal auto iris lens (3.1-20 mm (equivalent), 6.4x with Extra Optical Zoom (at VGA))
- VMD (Video Motion Detector) with 4 programmable detection areas, 15 steps sensitivity level and 10 steps detection size
- Privacy Zone can mask up to 2 private areas, such as house windows and entrances/exits.
- Alarm sources including 1 terminal input, VMD and Panasonic alarm command can trigger actions such as SDHC/SD memory recording, FTP image transfer, E-mail notification, Indication on browser, Alarm terminal output, and Panasonic protocol output.
- Full duplex bi-directional audio allows interactive communication between camera site and monitoring site.

- JPEG image compression ratio can be changed by alarm so that higher quality image can be provided.
- Prioritized stream control: One of the video streams can be prioritized when multiple recorders or client PCs are accessing the camera so that the recorder or the client PC can maintain the frame rate.
- SDHC/SD Memory card slot for manual recording (H.264 / JPEG), alarm recording (H.264 / JPEG) and backup upon network failure (JPEG)
- H.264/MPEG-4 max. bit rate/client and Total bit rate control allows flexible network traffic management. Frame rate priority mode controls bit rate and compression ratio to provide the specified frame rate.
- Multi-language: English / Italian / French / German / Spanish / Russian / Chinese / Japanese
- IPv4/IPv6 protocol supported
- Supports SSL, DDNS (viewnetcam, RFC2136)
- Still images (JPEG) can be viewed on mobile phones via Internet.
- ONVIF compliant model
- Analog Monitor output for easier installation
- IP66 rated water and dust resistant. Compatible with IEC60529 measurement standard.
- Dehumidification device for use in various weather conditions
- Fog compensation

Standard Accessories

- | | |
|---------------------------------|---|
| • Installation Guide1 pc. | • Camera fixing screw (M4 x 10)4 pcs. (of them, 1 for spare) |
| • CD-ROM*11 pc. | • Mount bracket cover screw (M3 x 6)3 pcs. (of them, 1 for spare) |
| • Code Label*21 pc. | • Adapter box (PAL model only).....1 pc. |
- The followings are for installation.
- | | |
|------------------------------------|---|
| • 4P alarm cable.....1 pc. | • Adapter box mounting screw (M4 x 35) (PAL model only).....1 pc. |
| • 2P power cable.....1 pc. | • Mounting screws for adapter box / camera mount bracket (M5 x 20)(PAL model only)5 pcs. (of them, 1 for spare) |
| • Camera mount bracket 1 pc. | |
| • Mount bracket cover2 pc. | |
| • Waterproof tape1 pc. | |

*1 The CD-ROM contains the operating instructions (HTML, PDFs) and different kinds of tool software programs.
*2 This label may be required for network management.
The network administrator shall retain the code label.

Optional Accessory

Adapter Box
WV-Q120
(NTSC model only)



* Adapter Box is included as a standard accessory for E model (PAL area).

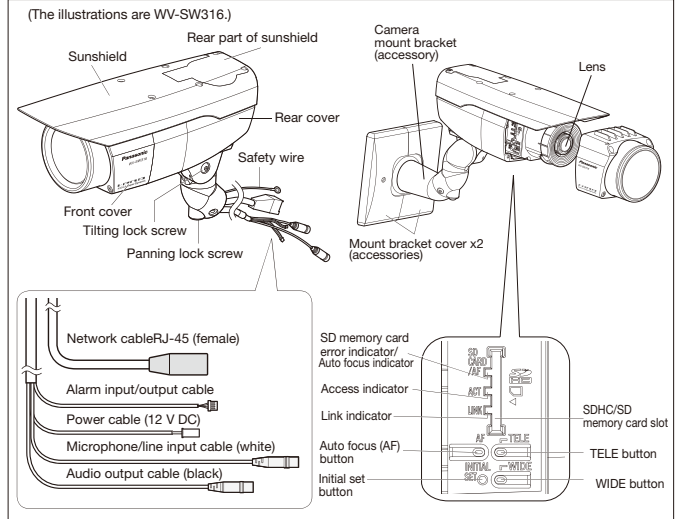
Specifications

TV System		NTSC	PAL	
Camera	Image Sensor	1/3 type MOS Sensor		
	Effective Pixels	Approx. 1.3 megapixels		
	Scanning Mode	Progressive scan		
	Scanning Area	4.80 mm (H) x 3.60 mm (V) (3/16" (H) x 5/32" (V))		
	Minimum Illumination	WV-SW316L: Color: 0.3 lx, B/W: 0 lx at F1.3 (Shutter: 1/30 s, AGC: High, when the IR LED is lit), Color: 0.019 lx, at F1.3 (Shutter: 1/30 s, AGC: High) WV-SW316: Color: 0.3 lx, B/W: 0.05 lx at F1.3 (Shutter: 1/30 s, AGC: High), Color: 0.019 lx, B/W: 0.003 lx at F1.3 (Shutter: 1/30 s, AGC: High)		
	IR LED Light	WV-SW316L: Off/Auto(High/Mid/Low)		
	IR LED irradiation distance	WV-SW316L: 15 m (49.21 feet)		
	White Balance	AWC (2,000 - 10,000 K), ATW1 (2,700 - 6,000 K), ATW2 (2,000 - 6,000 K)		
	Light Control Mode	Outdoor: Automatic integration of ALC and ELC Indoor [50 Hz]: Automatic integration of ALC and ELC (up to 1/100 s) Indoor [60 Hz]: Automatic integration of ALC and ELC (up to 1/120 s)		
	Shutter Speed	Fix shutter: 1/30, 3/100, 3/120, 2/100, 2/120, 1/100, 1/120, 1/250, 1/500, 1/1,000, 1/2,000, 1/4,000, 1/10,000 (only at Super-Dynamic Off)		
	Super Dynamic	ON / OFF		
	Face Super Dynamic	ON / OFF (Only at Super Dynamic: ON)		
	Adaptive Black Stretch	ON / OFF (Only at Super Dynamic: OFF)		
	AGC	ON (LOW, MID, HIGH) / OFF		
	Electronic Sensitivity UP	OFF / AUTO (Max. 2x (2/30 s), 4x (4/30 s), 6x (6/30 s), 10x (10/30 s), 16x (16/30 s))		
	Day & Night (IR)	Mode: AUTO1 / AUTO2 / ON / OFF, Level: High / Low, with external control		
	Dynamic Range	52 dB type (Super Dynamic: On, Light control mode: indoor scene)		
	Digital Noise Reduction	High / Low		
	Video Motion Detection	4 areas, Sensitivity: 15 steps, Detection size: 10 steps		
	Privacy Zone	Up to 2 zones, Gray		
VIQS	ON / OFF			
Camera Title (OSD)	Up to 20 characters (alphanumeric characters, marks)			
Focus Adjustment	ABF / MANUAL			
Lens	Focal Length	3.1 mm - 10 mm, 3.2x (3.1-20 mm (equivalent)), 6.4x with Extra Optical Zoom (at VGA)		
	Angular Field of View	H: 27.9° (TELE) - 90.6° (WIDE), V: 20.9° (TELE) - 66.9° (WIDE)		
	Maximum Aperture Ratio	1 : 1.3 (WIDE) - 1 : 3.0 (TELE)		
	Focusing Range	0.3 m - ∞		
Adjusting Angle	Horizontal	±100° (Camera mount bracket)		
	Vertical	+30° , -90° (Camera mount bracket)		
Browser GUI	Camera Control	Brightness, AUX ON / OFF		
	Display Mode	Spot, Quad: Image from 16 cameras can be displayed in 4 different Quad screens or 16 split screen (JPEG only). 20 characters camera title available.		
	Digital Zoom	1x, 2x, 4x controlled by browser GUI		
	Camera Title	Up to 20 alphanumeric characters		
	Clock Display	Time: 12H/24H, Date: 5 formats on the browser, Summer time (Manual)		
	Alarm Control	Reset		
	One Shot Capture	A still picture will be displayed on a newly opened window.		
	Audio	Mic (Line) Input: ON / OFF Volume adjustment: Low / Middle / High, Audio Output: ON / OFF Volume adjustment: Low / Middle / High		
	SD Memory Data Download	Still or motion Images recorded in the SDHC/SD memory card can be downloaded.		
	GUI/Setup Menu Language	English, French, Italian, Spanish, German, Russian, Chinese, Japanese		
	System Log	Up to 100 (Internal), Up to 4,000 (SDHC/SD memory when the recording format is set to JPEG.) error logs		
	Supported OS ^{1) 2)}	Microsoft® Windows® 8, Microsoft® Windows® 7, Microsoft® Windows Vista®, Microsoft® Windows® XP SP3		
	Supported Browser	Windows® Internet Explorer® 10.0 (32 bit), Windows® Internet Explorer® 9.0 (32 bit), Windows® Internet Explorer® 8.0 (32 bit), Windows® Internet Explorer® 7.0 (32 bit), Microsoft® Internet Explorer® 6.0 SP3		
	Network	Network IF	10Base-T / 100Base-TX, RJ-45 connector	
		Image Resolution ³⁾	Aspect ratio: [4 : 3]	H.264: 1,280 x 960 / VGA (640 x 480) / QVGA (320 x 240), up to 30 fps MPEG-4: VGA (640 x 480) / QVGA (320 x 240), up to 30 fps JPEG (M-JPEG): 1,280 x 960 / VGA (640 x 480) / QVGA (320 x 240), up to 30 fps
Aspect ratio: [16 : 9] ⁴⁾			H.264: 1,280 x 720 / 640 x 360 / 320 x 180, up to 30 fps JPEG (M-JPEG): 1,280 x 720 / 640 x 360 / 320 x 180, up to 30 fps	
H.264/MPEG-4 ^{5) 6)}		Transmission Mode	Constant bitrate / Frame rate priority / Best effort / Advanced VBR	
		Frame Rate	1 / 3 / 5 / 7.5 / 10 / 12 / 15 / 20 / 30 fps	
Bit Rate/Client		64 / 128 / 256 / 384 / 512 / 768 / 1,024 / 1,536 / 2,048 / 3,072 / 4,096 / 8,192 kbps * H.264 mode only		
		LOW / NORMAL / FINE		
Image Quality		Refresh Interval	0.2 s - 5 s	
		Transmission Type	UNICAST / MULTICAST	
JPEG		Image Quality	10 steps	
		Refresh Interval	0.1 fps - 30 fps	
Transmission Type		PULL / PUSH		
		Audio Compression	G.726 (ADPCM) 32 kbps / 16 kbps, G.711 64 kbps	
Audio Mode		OFF / Mic (Line) input / Audio output / Interactive (Half duplex) / Interactive (Full duplex)		
Authentication for Audio		Level 1 only / Level 2 higher / All users		
Total Bit Rate	64 / 128 / 256 / 384 / 512 / 768 / 1,024 / 2,048 / 4,096 / 8,192 kbps / Unlimited			
Supported Protocol	IPv6: TCP/IP, UDP/IP, HTTP, HTTPS, RTP, FTP, SMTP, DNS, NTP, SNMP, DHCPv6, MLD, ICMP, ARP IPv4: TCP/IP, UDP/IP, HTTP, HTTPS, RTP, RTSP, RTMP, RTP/RTCP, FTP, SMTP, DNS, DNS, NTP, SNMP, UPnP, IGMP, ICMP, ARP			
FTP Client	Alarm image transmission, FTP periodic transmission (When the FTP transmission is failed, backup on an optional SDHC/SD memory card is available.)			
No. of Simultaneous Users	Up to 14 users (Depends on network conditions)			
SDHC/SD Memory Card (Option)	H.264 recording: Manual REC / Alarm REC (Pre/Post) / Schedule REC JPEG recording: Manual REC / Alarm REC (Post) / Backup upon network failure Compatible SD (SDHC) card: Panasonic 256 MB, 512 MB, 1 GB, 2 GB, 4 GB*, 8 GB*, 16 GB*, 32 GB* model * SDHC card			
Cellular Phone Compatibility	JPEG image, AUX control (by access level)			
Mobile Terminal Compatibility ⁷⁾	iPad, iPhone, iPod touch (iOS 4.2.1 or later) Android™ mobile terminals			
Alarm	Alarm Source	1 terminal input, VMD, Command alarm		
	Alarm Actions	SDHC/SD memory recording, E-mail notification, Alarm terminal output, Indication on browser, FTP image transfer, Panasonic protocol output		
	Alarm Log	With SDHC/SD memory card: 5,000 logs, without SDHC/SD memory card: 1,000 logs Schedule Alarm / VMD / Access permission / H.264 recording / Forcible black & white mode (WV-SW316L)		
Input/Output	Monitor Output (for adjustment)	VBS: 1.0 Vp-p/75 Ω, NTSC composite, RCA Jack VBS: 1.0 Vp-p/75 Ω, PAL composite, RCA Jack		
	Microphone/Line Input	MIC IN and Line IN are selectable. ø3.5 mm stereo mini jack (monaural input) (Applicable microphone: Plug-in power type) Supply voltage: 2.5 V ±0.5 V Input impedance: approx. 2 kΩ		
	Audio Output	ø3.5 mm stereo mini jack (monaural output) Line level		
External I/O Terminals	ALARM IN, DAY/NIGHT IN, ALARM OUT, AUX OUT			
General	Safety/EMC Standard	UL (UL60950-1), FCC (Part15 ClassA), C-UL (CAN/CSA C22.2 No.60950-1), DOC (ICES003 ClassA)	CE (EN55022 ClassB, EN55024)	

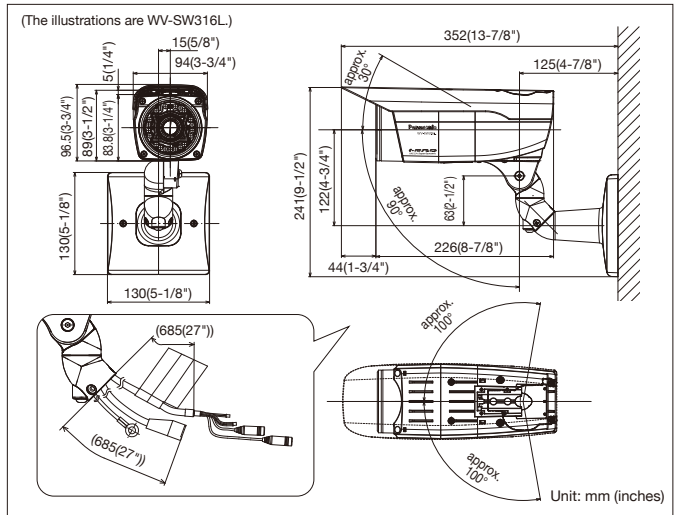
TV System		NTSC	PAL
General	Power Source and Power Consumption	12 V DC: 850 mA * FOR UL LISTED MODEL(S), ONLY CONNECT 12 V DC CLASS 2 POWER SUPPLY. PoE (IEEE 802.3af compliant) 48 V: 200 mA (Class 0 device)	
	Ambient Operating Temperature	-40 °C ~ +50 °C (-40 °F to 122 °F)	
	Ambient Operating Humidity	90 % or less (without condensation)	
	Water and Dust Resistance	IP66, IEC60529 measuring standard compatible	
	Dimensions	94 mm (W) x 89 mm (H) x 226 mm (L) (3-7/10" (W) x 3-1/2" (H) x 8-7/8" (L))	
	Mass (approx.)	1.4 kg (3.09 lbs.)	
	Finish	Main body: Aluminum die cast/resin, metallic silver coating Front cover section clear part: Polycarbonate resin	

- *1 For further information about PC system requirements and precautions for when using Microsoft® Windows® 8, Microsoft® Windows® 7, Microsoft® Windows Vista®, or Windows Internet Explorer, click "Manual"->"Open" from the supplied CD-ROM and refer to "Notes on Windows / Internet Explorer versions". For information on the camera models of the supported operating systems, refer to our website (<http://security.panasonic.com/pss/security/>).
- *2 When using IPv6 for communication, use Microsoft® Windows® 8 or Microsoft® Windows® 7 or Microsoft® Windows Vista®.
- *3 MPEG-4 is not supported.
- *4 [4 : 3] and [16 : 9] are alternative.
- *5 H.264 and MPEG-4 are alternative.
- *6 Transmission for 2 streams can be individually set in the same compression method.
- *7 For further information about compatible devices, refer to our website (<http://security.panasonic.com/pss/security/support/info.html>).

Part Names and Functions



Appearance



Trademarks and registered trademarks

- Microsoft, and Windows are registered trademarks of Microsoft Corporation in the U.S. and other countries.
- iPad, iPhone and iPod touch are registered trademarks of Apple Inc.
- UniPhier is a registered trademark of Panasonic Corporation.
- "MEGA Super Dynamic", and "i-PRO SmartHD" logos are trademarks or registered trademarks of Panasonic Corporation.
- ONVIF and the ONVIF logo are trademarks of ONVIF Inc.
- All other trademarks identified herein are the property of their respective owners.
- Important**
- Safety Precaution: Carefully read the operating instructions and installation manual before using this product.
- Panasonic cannot be responsible for the performance of the network and/or other manufacturers' products used on the network.

- Masses and dimensions are approximate.
- Specifications are subject to change without notice.
- These products may be subject to export control regulations.

DISTRIBUTED BY:

Panasonic

<http://security.panasonic.com>

<http://www.facebook.com/PanasonicNetworkCamera>

Printed in Japan (2A-086CL)