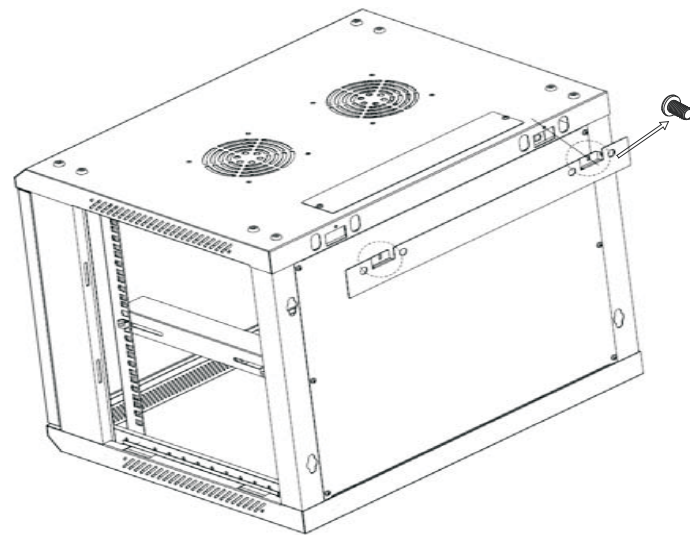
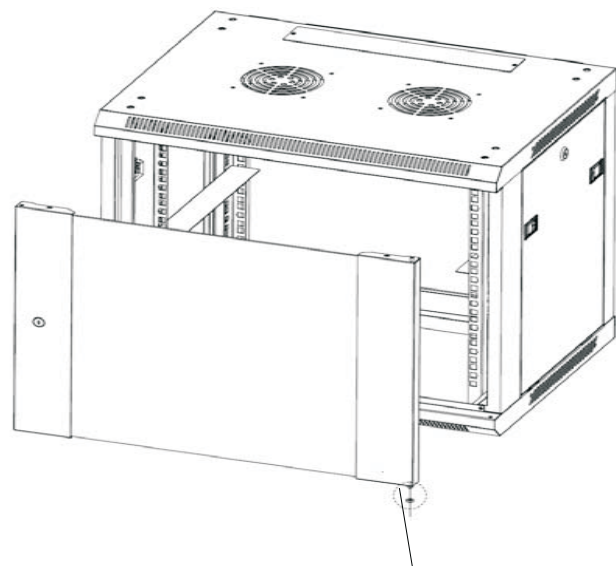


MRC19-WM-4U-Dx  
MRC19-WM-6U-Dx  
MRC19-WM-9U-Dx  
MRC19-WM-12U-Dx  
MRC19-WM-15U-Dx



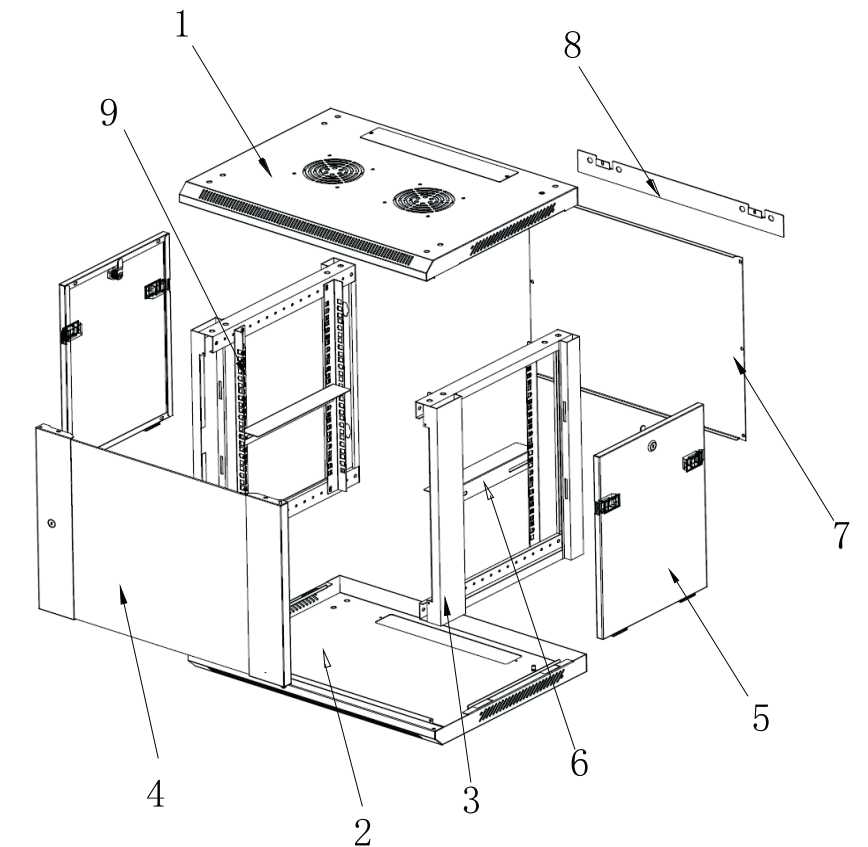
**STEP 5**  
Assembly the mounting bracket by 2pcs M4 self-tapping screws.



White plastic washer

**STEP 6**  
Assembly the front door with 1pcs white plastic washer and bolt. And toolless assembly the side doors.

**Note:** After assembly, please adjust the diagonal size of the cabinet to ensure homogeneous space for all doors and all doors work well.



## Packaging List

- |                       |                            |
|-----------------------|----------------------------|
| 1. Top cover- 1pcs    | 6. L-shaped bracket - 2pcs |
| 2. Bottom panel- 1pcs | 7. Rear panel - 1pcs       |
| 3. Frame- 2pcs        | 8. Mounting bracket - 1pcs |
| 4. Front door - 1pcs  | 9. Vertical bracket-4pcs   |
| 5. Side panels- 2pcs  |                            |

## Item List of Accessories Packaging

### Assembly Hardwares Kits:

- |                                     |                                |
|-------------------------------------|--------------------------------|
| • M8*12 inner hexagon screw - 16pcs | • White plastic washer - 1pcs  |
| • M8 flange nut - 16pcs             | • Keys-2pcs                    |
| • M6*12 screw - 4pcs                | • M5 self-tapping screw - 8pcs |
| • M6 cage nut - 4pcs                | • L type wrench-1pcs           |
| • M4 self-tapping screw - 16pcs     |                                |





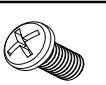




### User Hardwares Kits:

U Capacity <=12U, 12 sets cagenuts ; U Capacity >12U, 24 sets cagenuts.

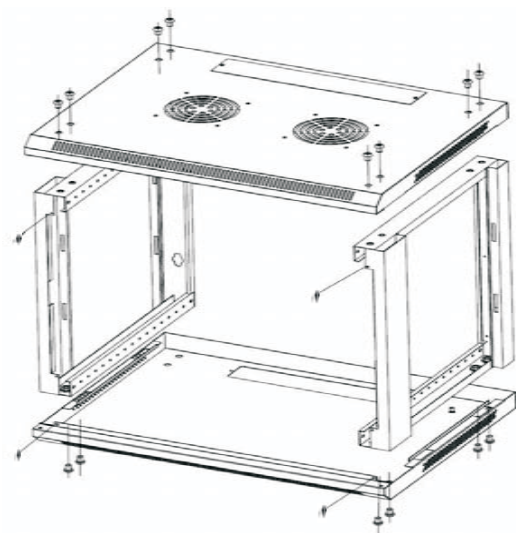
(cagenut : M6\*12 screw & M6 cage nut)

*Tips: Check the quantities of the items before assembly.*

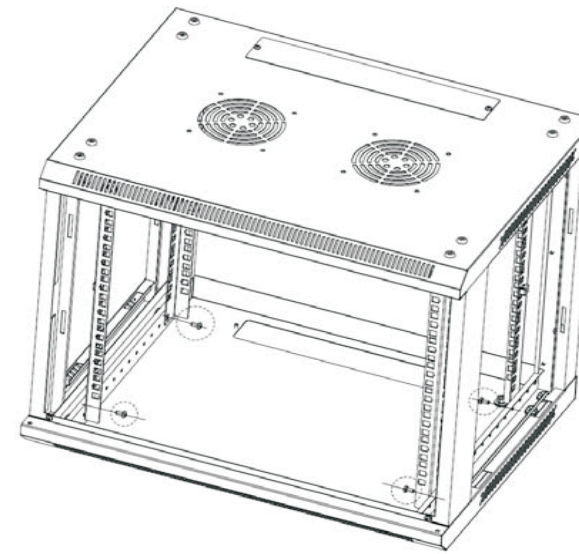
## Installation of Accessories

NO.	QTY	SCREWS AND NUTS	
1	16		M8*12 inner hexagon screw
2	16		M8 flange nut
3	4		M6 Screw
4	4		M6 cage nut
5	4		M4 Self-tapping Screw
6	1		White plastic washer
7	2		Key
8	8		M4 Self-tapping Screw
9	1		L type wrench

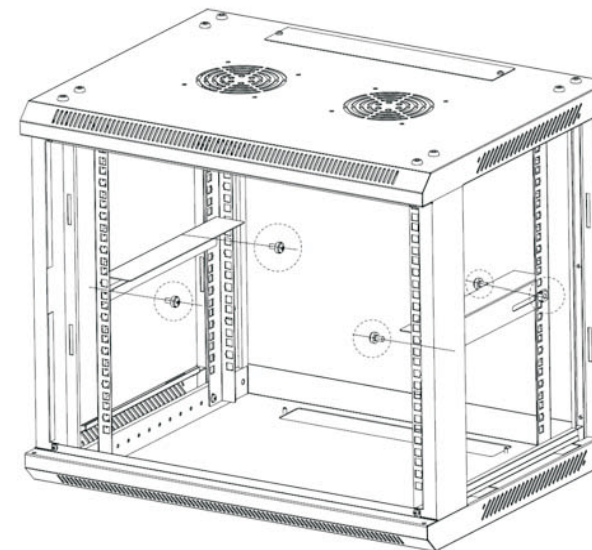
## Installation



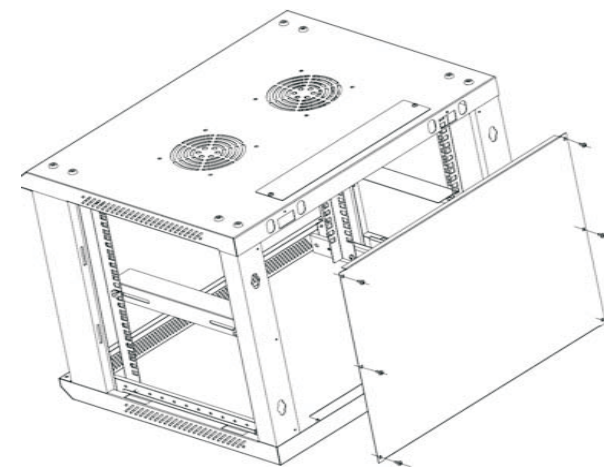
**STEP 1**  
 Assembly the top cover, bottom panel and horizontal brackets by 16pcs M8\*12 inner hexagon screws and 16pcs M8 flange nuts. and assembly the top cover, bottom panel and frames by 4pcs M4 self-tapping screws.



**STEP 2**  
 Assembly the vertical rails by 8pcs M5 self-tapping screws.



**STEP 3**  
 Assembly the L-shaped brackets by 4 sets M6 cagenuts.



**STEP 4**  
 Assembly the rear panel by 6pcs M4 self-tapping screws.