

poli

Magnetic contact wls

Installation guide



INTRODUCTION

poli is a wireless magnetic contact with 2 auxiliary inputs, integral part of the 868 MHz Bi-Directional System of Ksenia.

poli integrates inside 2 programmable inputs which can be used to connect external wired magnetic contacts rather than wired curtain detectors, glass brake detectors and/or wired roller blind detectors, rendering it, as a matter of fact, as a small wireless expansion module (up to 3 zones).

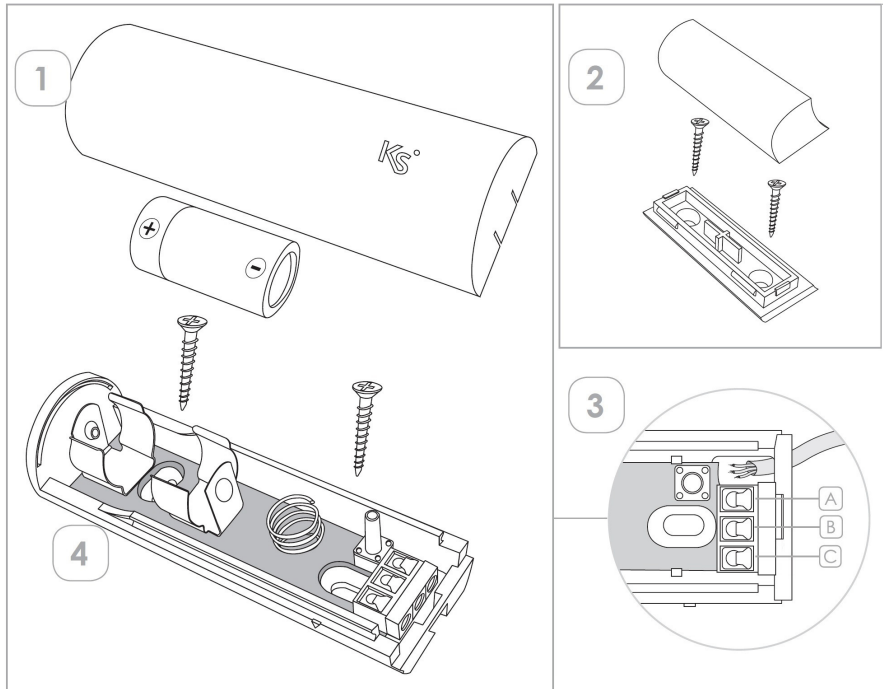
Thanks to its Bi-Directional Communication, the input configuration (type, number of impulses, balance) are programmable directly from the basis software.

As all the other KSENIA wls devices, the **poli** magnetic contact implements DPMS (Dynamic Power Management System), the possibility to program the supervision time from minimum of 1 minute to a maximum of 240 minutes (default set-up: 5 minutes), the battery status control (with signal warning transmission when its substitution is recommended), and integrates 2 tampers (on the opening and on its removal).

TECHNICAL DATA

- Power: 1 Lithium Battery Type CR123A included for a maximum duration time up to 4 years
- Consumption: 50 mA max
- Operative Frequency: 868 MHz Band
- Inputs: Nr.2 programmable balanced
- Range in open air: up to 400 m
- Operative Temperature Range: +5 °C to +40 °C
- Contact Dimensions: 30 x 90 x 30 mm (HxWxD)
- Magnet Dimensions: 15 x 34 x 14 mm (HxWxD)

PRODUCT DESCRIPTION



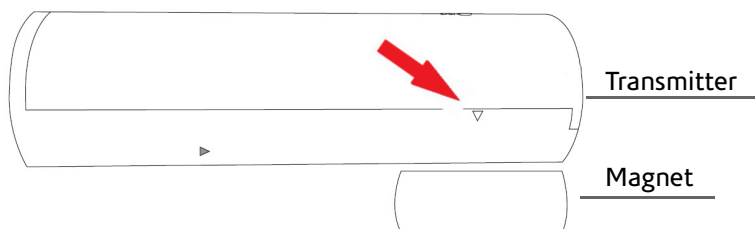
Legend

- 1** Transmitter
- 2** Magnet
- 3** Cable Wiring:
A - Auxiliary Input 1
B - Auxiliary Input 2
C - Common
- 4** Signalling LED. By setting the test mode on Panel, this LED blinks whenever the device successfully transmits an alarm or reset signal.

INSTALLATION

It is recommended to mount the transmitter on the top of the door/window on the fixed frame and the magnet to the movable part.
Make sure that the distance between the magnet and the indicator on the transmitter (shown in the following image) does not exceed 10 mm.

NOTE: To take advantage of back tamper is necessary to use the screws (not included). Use the supplied adhesive in alternative.

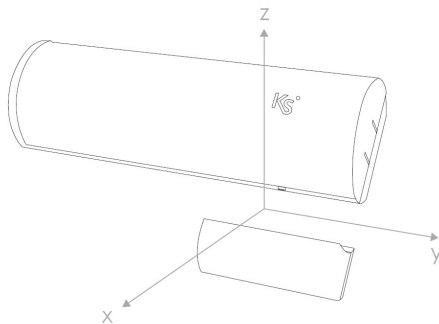


OPERATING DISTANCES

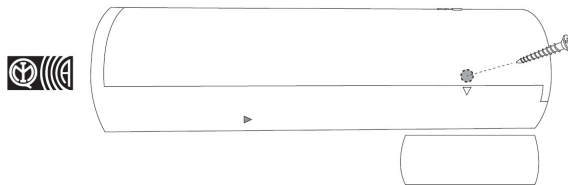
On the mounting surface (not ferromagnetic), for all configurations and the axes of operation (x - y - z) based on how the device is installed.

Vertical installation of the detector

Axis x	Closed contact 20 mm	Open Contact 30 mm
Axis y magnet at 10 mm	Closed contact 20 mm	Open Contact 30 mm
Axis z magnet at 10 mm	Closed contact 20 mm	Open Contact 25 mm



In order to maintain the conformity with the norms listed on last page, please insert a screw as shown in figure.



BATTERY INCLUDED

Note: temperatures below +5 °C can cause the poli to report a false low battery indication.

Operation below +5 °C will reduce the battery life significantly.

Caution! Observe the correct polarity when installing battery. Use only Panasonic Lithium CR-123A batteries for replacement.

Warning! Battery may explode if the battery is replaced by an incorrect type or if mistreated. Do not recharge, disassemble or dispose of in fire. Dispose of used batteries according to the instructions.

QUANTITY DATA

lares 4.0 models	wls 96	16	40	40 wls	140 wls	644 wls
Maximum number of sensors (poli, nanus, unum, nebula, velum)	32	16	40	40	64	64

ENROLLING

- 1. Activate the enrolling mode from the lares 4.0 control panel
- 2. Insert battery into the transmitter
- 3. Close the device
- 4. For more details, please refer to the Programming manual of lares 4.0 control panel.

FUNCTIONS

- REED Switch - That opens upon removal of magnet
- 2 Auxiliary Inputs - Programmable as either N.C. N.O. E.O.L. (contacts, glass break, roller blind, etc...)*
- Tamper - Back Tamper, Opening Tamper



*In order to maintain the conformity with the standards listed below, the auxiliary inputs have to be used as “balanced” only.

CERTIFICATIONS

Europe - RoHS, CE
EN50131 Grade 2 - Class II
T014A:2013
SSF 1014 Larmklass R



Technical data, appearance, functionality and other product characteristics may change without notice.