

# PSU-224-DC100 Universal Power Supply

www.boschsecurity.com



**BOSCH**  
Invented for life



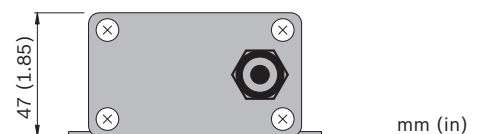
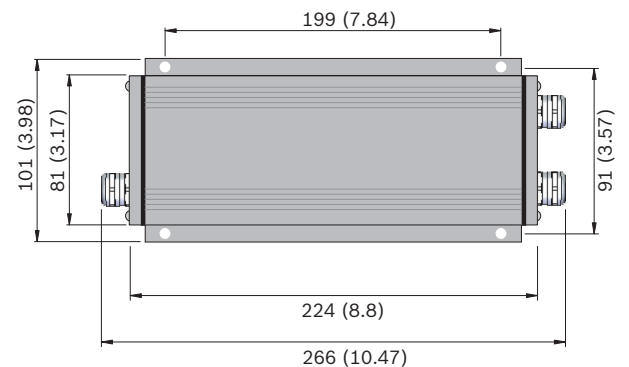
The PSU-224-DC100 universal power supply provides DC voltage to one or two devices requiring a total power of up to 96 W. The power supply accepts 100-240 VAC input, and outputs 24 VDC. The power supply is certified for UL safety ratings as a Class 2 power circuit. The power supply uses input and output clamps to connect the power input cable, and up to two power output cables (no cables included). The power supply is enclosed in a rugged metal housing, and is suitable for indoor and outdoor use (IP66 rated).

### Certifications and approvals

Region	Certification
Europe	CE
USA	FCC + UL

### Installation/configuration notes

#### Dimensions



### Technical specifications

Output	
DC voltage	24 VDC

	Rated current	4.0 A
	Rated power	96 W (total both outputs)
Input		
	Voltage range	100 to 240 VAC
	Frequency range	50 to 60 Hz
	AC current	1.5 A (115 VAC) 0.5 A (230 VAC)
Construction		
	Weight	1.25 kg
	Material	Casing: Aluminum extrusion; End-caps: mild steel.
	Finish	Powder coated paint RAL 9010 (Pure White)
	Cable glands	Suitable for cable diameter 4 to 8 mm
Environment		
	Water protection	IP66
	Working temperature	-30 to +50°C
	Working humidity	20 to 95% RH non- condensing
	Storage temperature	-40 to +80°C
	Storage humidity	10 to 95% RH non- condensing
Safety & EMC		
	Safety standards	EN60950-1UL60950-1EN60 950-22, IP66
	Harmonic current	Compliance to Class C (less than 75% load); EN61000-3-3
	EMS immunity	Compliance to EN61000-4-2,3,4,5,6,8,11; ENV50204, EN55024, EN61547, light industry level (surge 4KV), criteria A

### Ordering information

#### **PSU-224-DC100 Universal Power Supply**

Universal Power Supply 2x24 VDC

Order number **PSU-224-DC100**

**Represented by:**

**Americas:**

Bosch Security Systems, Inc.  
130 Perinton Parkway  
Fairport, New York, 14450, USA  
Phone: +1 800 289 0096  
Fax: +1 585 223 9180  
security.sales@us.bosch.com  
www.boschsecurity.us

**Europe, Middle East, Africa:**

Bosch Security Systems B.V.  
P.O. Box 80002  
5617 BA Eindhoven, The Netherlands  
Phone: + 31 40 2577 284  
Fax: +31 40 2577 330  
emea.securitysystems@bosch.com  
www.boschsecurity.com

**Asia-Pacific:**

Robert Bosch (SEA) Pte Ltd, Security  
Systems  
11 Bishan Street 21  
Singapore 573943  
Phone: +65 6571 2808  
Fax: +65 6571 2699  
apr.securitysystems@bosch.com  
www.boschsecurity.asia

**China:**

Bosch (Shanghai) Security Systems Ltd.  
201 Building, No. 333 Fuquan Road  
North IBP  
Changning District, Shanghai  
200335 China  
Phone +86 21 22181111  
Fax: +86 21 22182398  
www.boschsecurity.com.cn

**America Latina:**

Robert Bosch Ltda Security Systems Division  
Via Anhanguera, Km 98  
CEP 13065-900  
Campinas, Sao Paulo, Brazil  
Phone: +55 19 2103 2860  
Fax: +55 19 2103 2862  
latam.boschsecurity@bosch.com  
www.boschsecurity.com