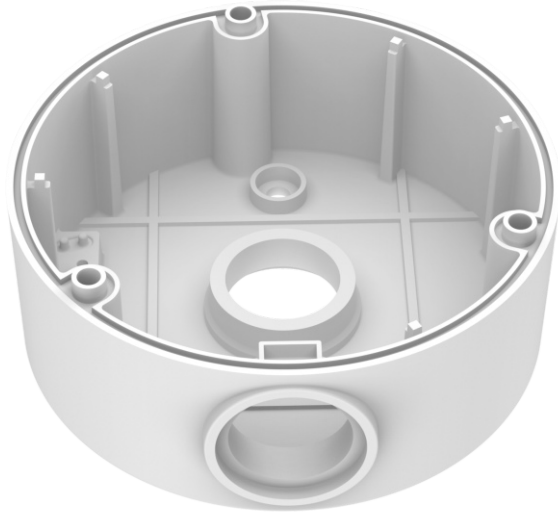


# RS-CXH115B-R



# Dimensions

UNIT:  
mm[inch]

