



**Network Camera  
Technical Manual**

## Notices

---

The information in this documentation is subject to change without notice and does not represent any commitment on behalf of HIKVISION. HIKVISION disclaims any liability whatsoever for incorrect data that may appear in this documentation. The product(s) described in this documentation are furnished subject to a license and may only be used in accordance with the terms and conditions of such license.

Copyright © 2006-2012 by HIKVISION. All rights reserved.

**This documentation is issued in strict confidence and is to be used only for the purposes for which it is supplied.** It may not be reproduced in whole or in part, in any form, or by any means or be used for any other purpose without prior written consent of HIKVISION and then only on the condition that this notice is included in any such reproduction. No information as to the contents or subject matter of this documentation, or any part thereof, or arising directly or indirectly therefrom, shall be given orally or in writing or shall be communicated in any manner whatsoever to any third party being an individual, firm, or company or any employee thereof without the prior written consent of HIKVISION. Use of this product is subject to acceptance of the HIKVISION agreement required to use this product. HIKVISION reserves the right to make changes to its products as circumstances may warrant, without notice.

**This documentation is provided "as-is," without warranty of any kind.**

Please send any comments regarding the documentation to:  
[overseabusiness@hikvision.com](mailto:overseabusiness@hikvision.com)

Find out more about HIKVISION at [www.hikvision.com](http://www.hikvision.com)

## DS-2CD854FWD-E(W)



### Key Features

- Up to 3 megapixel (2048 × 1536) resolution, real time video at Full HD 1080P
- Standard video compression with high compression ratio
- **120dB WDR(Wide Dynamic Range)**
- Progressive scan CMOS
- Support dual stream, and the sub-stream for mobile surveillance
- Up to 32 GB SD/SDHC card for on-board storage
- **Support 3D DNR (Digital Noise Reduction)**
- IR cut filter with auto switch
- Two-way audio
- PoE (Power over Ethernet)
- Auto-iris, electronic shutter for different surveillance environments
- **Support analog video output for adjustment and installation**
- Other functions: heartbeat, PTZ control, alarm, reset button, mirror, etc.

### Specification

|                    |   |
|--------------------|---|
| Model              | DS-2CD854FWD-E(W)   |
| Parameter          | 3 Megapixel CMOS WDR ICR Network Box Camera                       |
| Camera             |   |
| Image Sensor       | 1/3" Progressive Scan CMOS  |
| Min. Illumination  | Color: 0.1 Lux @ (F1.2, AGC ON)<br>B/W: 0.01 Lux @ (F1.2, AGC ON) |
| Shutter Speed      | 1/25 s to 1/100,000 s   |
| Lens Mount         | C/CS mount  |
| Auto-iris          | DC drive  |
| Day & Night        | IR cut filter with auto switch                                    |
| Wide Dynamic Range | <b>120dB</b>  |

|                             |   |
|-----------------------------|---|
| Digital Noise Reduction     | <b>3D DNR</b>   |
| <b>Compression Standard</b> |   |
| Video Compression           | <b>H.264/MPEG4/MJPEG</b>  |
| Bit Rate                    | 32 Kbps - 16 Mbps   |
| Audio Compression           | <b>G.711/G.726</b>  |
| Dual Stream                 | Yes   |
| <b>Image</b>                |   |
| Max. Resolution             | <b>2048 × 1536</b>  |
| Frame Rate                  | 50Hz: 12.5fps ( <b>2048 × 1536</b> ), 25fps (1920 × 1080), 25fps (1280 × 720)<br>60Hz: 15 fps ( <b>2048 × 1536</b> ), 30fps (1920 × 1080), 30fps (1280 × 720) |
| Image Settings              | Saturation, Brightness, Contrast adjustable by client software or web browser   |
| <b>Network</b>              |   |
| Network Storage             | NAS (iSCSI optional)  |
| Alarm Trigger               | Motion detection, Tampering alarm, Network disconnect , IP address conflict, Storage exception  |
| Protocols                   | TCP/IP, HTTP, DHCP, DNS, DDNS, RTP, RTSP, PPPoE, SMTP, NTP, SNMP, FTP, 802.1x, QoS, HTTPS ( SIP,SRTP,IPv6 optional )  |
| Security                    | User Authentication, Watermark, Password Protection, Heartbeat  |
| Standard                    | ONVIF, PSIA, CGI  |
| <b>Interface</b>            |   |
| Audio Input                 | <b>1-ch 3.5 mm audio interface, MIC IN/Line IN</b>  |
| Audio Output                | 1-ch 3.5 mm audio interface (Line level, 600 Ω)   |
| Communication Interface     | 1 RJ45 10M/100M Ethernet port and 1 RS-485 interface  |
| Alarm Input                 | 1   |
| Alarm Output                | 1   |
| Video Output                | 1Vp-p composite output (75 Ω/BNC)   |
| On-board storage            | <b>Built-in SD/SDHC slot, up to 32 GB</b>   |
| Reset Button                | <b>Yes</b>  |
| <b>General</b>              |   |
| Operating Conditions        | -10 °C – 60 °C (14 °F – 140 °F)<br>Humidity 90% or less (non-condensing)  |
| Power Supply                | 12 V DC ± 10%<br>PoE (802.3af)  |
| Power Consumption           | Max. 5.5 W (Max. 8.5 W with IR cut filter on)<br>-W: Max. 7 W (Max. 10 W with IR cut filter on)   |
| Dimensions                  | 68 × 64.9 × 144.8 mm (2.68" × 2.56" × 5.70")  |

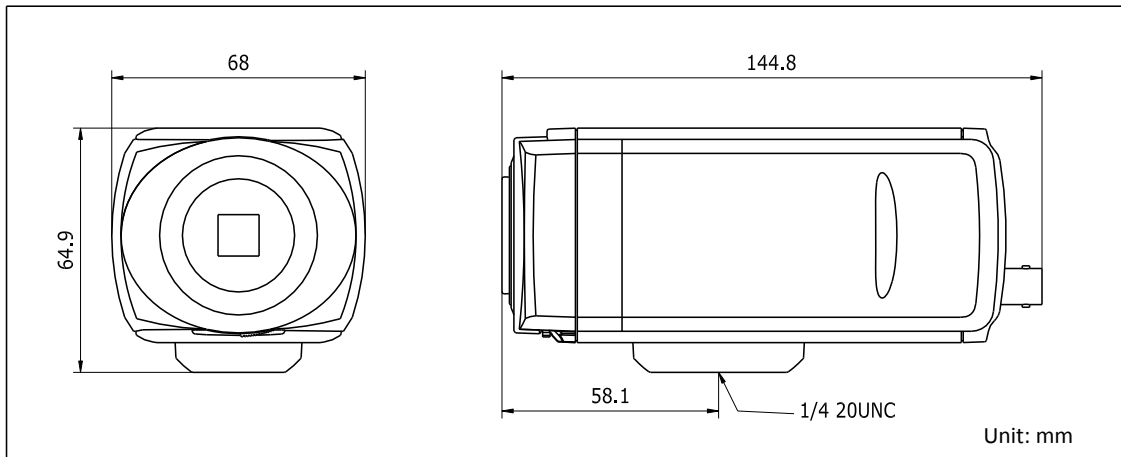
|        |                  |
|--------|------------------|
| Weight | 500 g (1.10 lbs) |
|--------|------------------|

\* "-W" series support Wi-Fi (802.11b/g/n)

## Order Models

DS-2CD854FWD-E, DS-2CD854FWD-EW

## Dimensions



## Accessories



Indoor wall mount  
DS-1212ZJ



Indoor/Outdoor Wall Mount  
DS-1213ZJ



Indoor/Outdoor camera housing  
DS-1311HZ (DS-1312HZ, DS-1313HZ)



Indoor camera housing  
DS-1320HZ