

SRB

MOUNTING BRACKETS FOR SRP & SRX DETECTORS



INSTALLATION INSTRUCTIONS
P/N 7101192 Rev. C A.Y.

SWIVEL MOUNTING BRACKET (SRB) INCLUDES:

1. ceiling adapter
2. corner adapter
3. wall adapter
4. swivel
5. detector adapter
6. brass ball
7. screw

FIGURE - 1

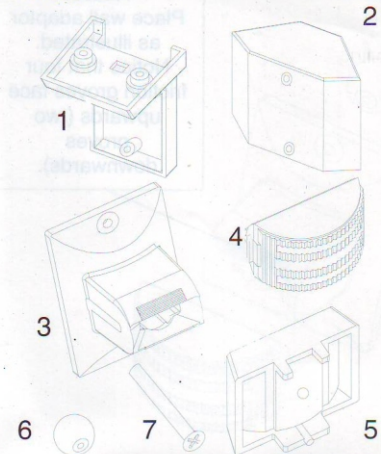
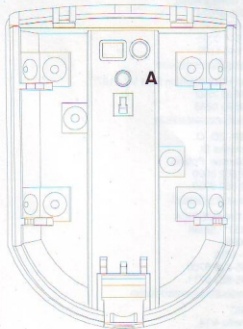


FIGURE - 2 : BASE OF THE DETECTOR



1st. Hole for mounting bracket

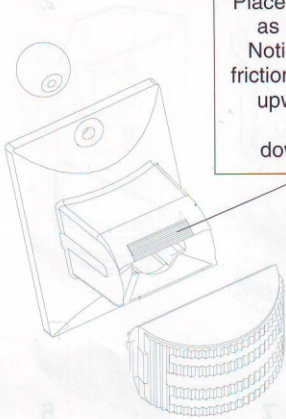
Note: before mounting - break out hole, marked "A".

MOUNTING THE SRB

1. Insert the brass ball to the wall adapter from the backside. Thread of the ball must be parallel to major axis of the adapter.
2. Install the swivel on the wall adapter - push gently (fig. 3).
3. Mount this part (fig. 4) onto the wall (with two screws). If you are using ceiling or corner mounting, connect this part to corresponded adaptor, which is already installed on its place (corner or ceiling).

4. Insert the pin of the "detector adapter" into the small hole on the base of the detector (back side) and insert the screw through the hole from internal side of the base (fig. 5).
5. Assemble base, detector adapter, swivel and wall adapter together with the help of screw from internal side of the base detector (fig. 6).

FIGURE - 3



Notice!
Place wall adaptor as illustrated.
Notice that four friction grooves face upwards (two grooves downwards).

FIGURE - 4

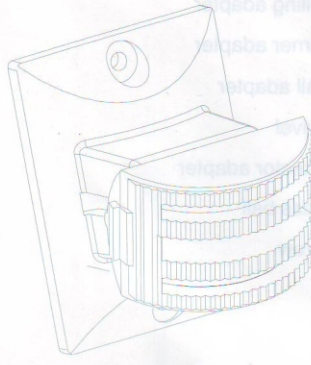


FIGURE - 5

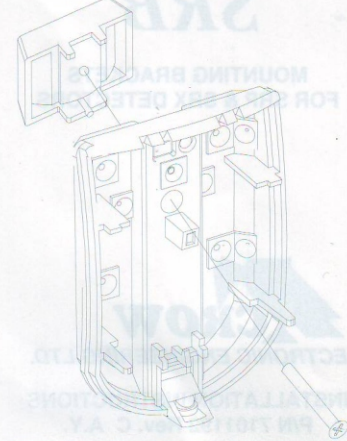
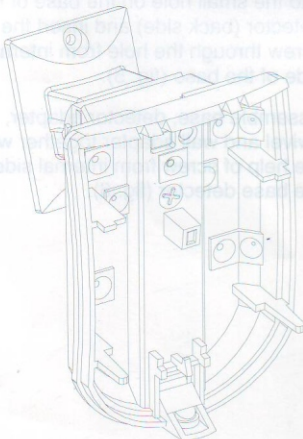


FIGURE - 6



CROW ELECTRONIC ENGINEERING LTD. ("Crow") - WARRANTY POLICY CERTIFICATE

This Warranty Certificate is given in favor of the purchaser (hereunder the "Purchaser") purchasing the products directly from Crow or from its authorized distributor.
Crow warrants these products to be free from defects in materials and workmanship under normal use and service for a period of 24 months from the last day of the week and year whose numbers are printed on the printed circuit board inside these products (hereunder the "Warranty Period").
Subject to the provisions of this Warranty Certificate, during the Warranty Period, Crow undertakes, at its sole discretion and subject to Crow's procedures, as such procedures are from time to time, to repair or replace, free of charge for materials and/or labor, products proved to be defective in materials or workmanship under normal use and service. Repaired products shall be warranted for the remainder of the original Warranty Period.
All transportation costs and in-transit risk of loss or damage related, directly or indirectly, to products returned to Crow for repair or replacement shall be borne solely by the Purchaser.
Crow's warranty under this Warranty Certificate does not cover products that is defective (or shall become defective) due to: (a) alteration of the products (or any part thereof) by anyone other than Crow; (b) accident, abuse, negligence, or improper maintenance; (c) failure caused by a product which Crow did not provide; (d) failure caused by software or hardware which Crow did not provide; (e) use or storage other than in accordance with Crow's specified operating and storage instructions.
There are no warranties, expressed or implied, of merchantability or fitness of the products for a particular purpose or otherwise, which extend beyond the description on the face hereof.
This limited Warranty Certificate is the Purchaser's sole and exclusive remedy against Crow and Crow's sole and exclusive liability toward the Purchaser in connection with the products, including without limitation - for defects or malfunctions of the products. This Warranty Certificate replaces all other warranties and liabilities, whether oral, written, (non-mandatory) statutory, contractual, in tort or otherwise.
In no case shall Crow be liable to anyone for any consequential or incidental damages (inclusive of loss of profit, and whether occasioned by negligence of the Crow or any third party on its behalf) for breach of this or any other warranty, expressed or implied, or upon any other basis of liability whatsoever. Crow does not represent that these products can not be compromised or circumvented; that these products will prevent any person injury or property loss or damage by burglary, robbery, fire or otherwise; or that these products will in all cases provide adequate warning or protection.
Purchaser understands that a properly installed and maintained product may in some cases reduce the risk of burglary, fire, robbery or other events occurring without providing an alarm, but it is not insurance or a guarantee that such will not occur or that there will be no personal injury or property loss or damage as a result.
Consequently, Crow shall have no liability for any personal injury, property damage or any other loss based on claim that these products failed to give any warning.
If Crow is held liable, whether directly or indirectly, for any loss or damage with regards to these products, regardless of cause or origin, Crow's maximum liability shall not in any case exceed the purchase price of these products, which shall be the complete and exclusive remedy against Crow.

CROW ELECTRONIC ENGINEERING LTD.

ISRAEL: Crow Electronic Engineering Ltd.
12 Kineret St. Airport City
P.O. Box 293, Ben Gurion Airport, 70100
Tel: 972-3-9726000
Fax: 972-3-9726001
E-mail: support@crow.co.il

USA: 2160 North Central Road,
Fort Lee, N.J. 07024
Tel: 1-800-GET CROW
or (201) 944 0005
Fax: (201) 944 1199
E-mail: support@crowelcs.com

AUSTRALIA: 429 Nepean HWY Brighton East Vic 3187
Tel: 61-3-9596 7222
Fax: 61-3-9596 0888
E-mail: crow@crowaust.com.au

POLAND: VIDICON SP. ZO. O.
15 Powazkowska St.
01 - 797 Warsaw - Poland
Tel: 48 22 662 3030
Fax: 48 22 662 3030
E-mail: vidicon@vidicon.pl

LATIN AMERICA: CROW LATIN AMERICA
5753 NW 151st Street
MIAMI LAKES,
FL 33014 - USA
Tel: +1-305-823-8700
Fax: +1-305-823-8711
E-mail: sales@crowlatinamerica.com

ITALY: DEATRONIC
VIA Giulianello 4/14
00178 ROMA, ITALY
Tel: +39-0676-12912
Fax: +39-0676-12601
E-mail: info@deatronic.com

These instructions supersede all previous issues in circulation prior to July 2005.