

SVR-500 Series Network Video Recorder -

Reliable Network Video Recorder for Small Multi-sites Applications

Ver 1.0.0

DATASHEET



- **Manage up to 16 Network Cameras**
- **Compatible with Major Brand Cameras**
- **High Quality Live/Playback Video**
- **Export Playback Videos to AVI**
- **Web-based E-map Event Alert**
- **Two-way Audio**
- **Support External UPS**
- **SEEnergy Smart Camera Search**
- **Support Dual Stream**
- **Pure Web Based Administration**

**256CH CMS
FREE Bundled!!**

The SEEnergy SVR-500 Series NVR is designed for use within a surveillance system, and performs recordings and playbacks pictures from network cameras in the system. It is designed for small scale applications such as retail store and the system is expandable for multi-sites management with the bundled 256CH CMS software. Up to 16 cameras (1.3MP each) can be connected via a network and it is possible to record their camera pictures. It is possible to perform the settings or operate the NVR using a web browser installed on a PC connected to a network and live videos can be viewed on major mobile devices through its web browser. Recorded video can be played back from remote site by a PC. Up to 4 PCs (web browsers) can access this unit concurrently and it is possible to perform the settings and operate this unit. The NVR is compatible with most major brand cameras and its ability to automatically search and find the available cameras on the network can greatly reduce the user effort when expanding the system.

SEEnergy Corp.

4F, No.61, Dongsing RD.,
Taipei 110, Taiwan, R.O.C.

Tel: 886-2-8768-1518

Fax: 886-2-8787-8560

E-mail: sales@seenergy.com.tw

www.seenergy.com.tw



©2007, SEEnergy Corp. The SEEnergy logo is a registered trademark of SEEnergy Corp. All other company names and products are trademarks or registered trademarks of their respective companies. The specification is subject to change without prior notice. SEEnergy endeavors to ensure that the information in this document is correct and fairly stated but does not accept liability for any error or omissions.

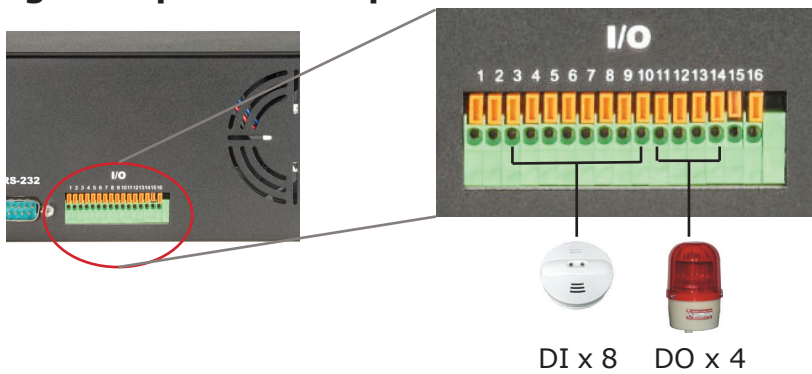
Preliminary

Hardware Specifications

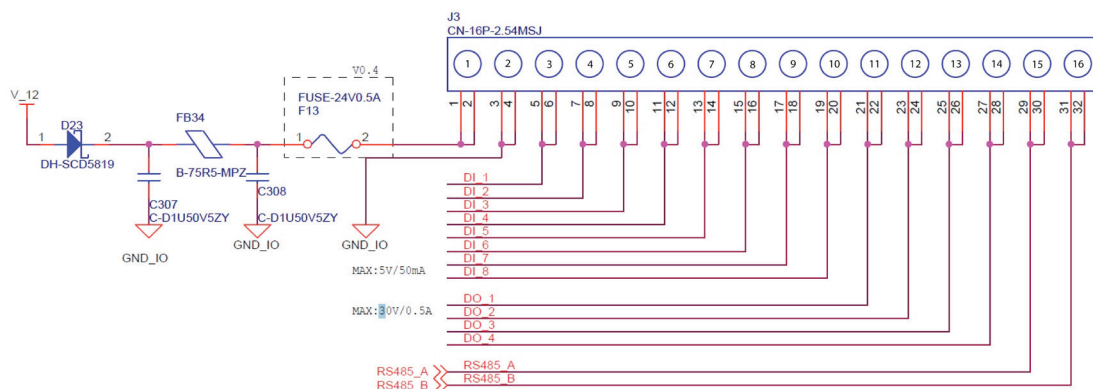
CPU & Memory	<ul style="list-style-type: none"> ARM9 1.6Ghz/512MB DDR3 RAM
Ethernet	<ul style="list-style-type: none"> 10BaseT / 100BaseT/1GBaseT and half duplex / full duplex auto-negotiation duplex auto-negotiation
HDD	<ul style="list-style-type: none"> SATA HDD Slot x 2 (SATA I or SATAII) Max. Capacity: <ul style="list-style-type: none"> - SVR-504/508/516: 6TB (3TB per HDD) - SVR-516+: 14TB (6TB int.+8TB e-SATA)
LED	<ul style="list-style-type: none"> Cameras/Power/System/Network/HD/Alarm
Buttons	<ul style="list-style-type: none"> Reset/Power
Connectors	<ul style="list-style-type: none"> USB x 1 RS-485 DI/DO Connectors RS-232 e-SATA (SVR-516+ only)
Power	<ul style="list-style-type: none"> 19V DC/90W
Dimensions	<ul style="list-style-type: none"> 220 x 215 x 81 mm
Weight	<ul style="list-style-type: none"> 10lbs
Temperature	<ul style="list-style-type: none"> Operating: 5 °C ~ 45 °C/41 °F ~ 113 °F Storage: -40 °C ~ 70 °C/-14 °F ~ 158 °F
Humidity	<ul style="list-style-type: none"> 5% ~ 90% (non condensing)
Safety	<ul style="list-style-type: none"> FCC Class A/CE



Digital Input and Output



Pin	Signal
1	12V DC
2	GND
3~10	Alarm input
11	Out1
12	Out2
13	Out3
14	Out4
15	RS485+
16	RS485-



Software Specifications

Cameras

Add Camera	Manual/SEEnergy Smart Camera Search
Max. Channels	16
Supported Brands	Axis/Sony/Panasonic/AVTech/Canon/D-Link/ACTi/Zavio/AMTK/Vivotek/Arecont Vision/Etrovision/Level 1/Mobotix/Toshiba/Abus/Planet/Pixord/IQInvision/A-Linking/Brickcom/Hunt/Sanyo

Video

Compression	MJPEG/MPEG-4 Part 2/H.264
Resolution	5 MP/HD/MegaPixel/FD1/CIF/QCIF
Max. Frame Rate	240 fps (1920x1080, H.264) or 480 fps (1280x1024, H.264)

Audio

Streaming	Two-way audio
------------------	---------------

Live View

Display Mode	Live View/Playback/Full Screen
Split Screen	SVR-504 -- 1/4 SVR-508 -- 1/4/8 SVR-516(+) -- 1/4/16, 9/13 (use my favorite mode)
Full Screen	SVR-504 -- 1/4 SVR-508 -- 1/4/8 SVR-516(+) -- 1/4/16, 9/13 (use my favorite mode)
PTZ Support	Virtual PTZ Panel/Auto Pan/Preset Point/Preset Sequence/Digital PTZ
Sequence Mode	Sequence All/Manually Selected cameras in 1/4 split view with configurable timer
Snapshot	3 continuous snapshots in JPEG format
E-Map	Motion Detected Event Display on E-Map/Google Map
Mobile Device	Live image view through mobile device's web browser Support iPhone/Android/Blackberry iPhone app -- NVR Viewer

Playback

Split Screen	1/4
Search Method	Time/Date, Event
Playback Controls	Play/Pause/Stop/Forward/Reverse/Speed Adjust/Frame by Frame
Export AVI	Export Playback Videos to Local Computer in AVI Format

Recording

Capacity	Depends on hard disk
Recording Mode	Manual/Continuous/Scheduling/Event
Scheduling Types	Manual Select/Profile-based/Weekly Mode
Dual Stream	Support different video format for recording other than the one used for live view

Network

Protocols	HTTP/SMTP/DHCP/ARP/NTP/DNS/UPnP/FTP
Streaming Protocols	Depend on the supported cameras

User Management

Management	User/Group
Number of Groups	7 (Administrator/Guest/User Define * 5)
Privileges	Live View/Playback/System Configurations/Camera Configurations/Recording Configuration/Event Configuration/Maintenance

Triggers & Events

Events	<i>System Events</i> -- System Start, System Settings modified, Camera Settings Modified, Start Recycle, Disk Full <i>Camera Events</i> -- Motion/Sensor Detection
Event Actions	Mail/FTP/Buzzer/Record
Event Recording	Pre/Post Event Settings

Central Management

Central Management	Support SEEnergy 256CH "π-Vu Central Basic" Central Management Software (CMS)
---------------------------	---

Power & Storage

UPS	Support External UPS System
Storage	Support SATA x 2, Max. 3TB per drive
e-SATA	e-SATA x 1 for ext. storage up to 8TB, SVR-516+ only
RAID	RAID 0/1 for int. HDDs, SVR-516+ only

Log Types	Alert/Event/User Access
------------------	-------------------------

Systems

Mini. Hardware Requirements	CPU: Intel Core 2 Duo @ 2.4 Ghz or higher RAM: 1GB or above Network: 100 Megabit Network Interface or above
Mini. Software Requirements	IE Browser version 7 or above

General

Languages	English/Trad. Chinese/Simp. Chinese/Japanese/Spanish/Italian/German/Danish/Czech/Polish/French/Russian/Slovensky/Hungarian/Portuguese
Packaging	SVR-500 Series NVR (HD NOT included)/CD with Software tool/Datasheet/Quick Guide/User's Manual/Warranty Card/Power cord

Application Diagram

