

TURNSTILE

T

VERSIONS:

GA2-T

ZA2-T
(MOTOR)

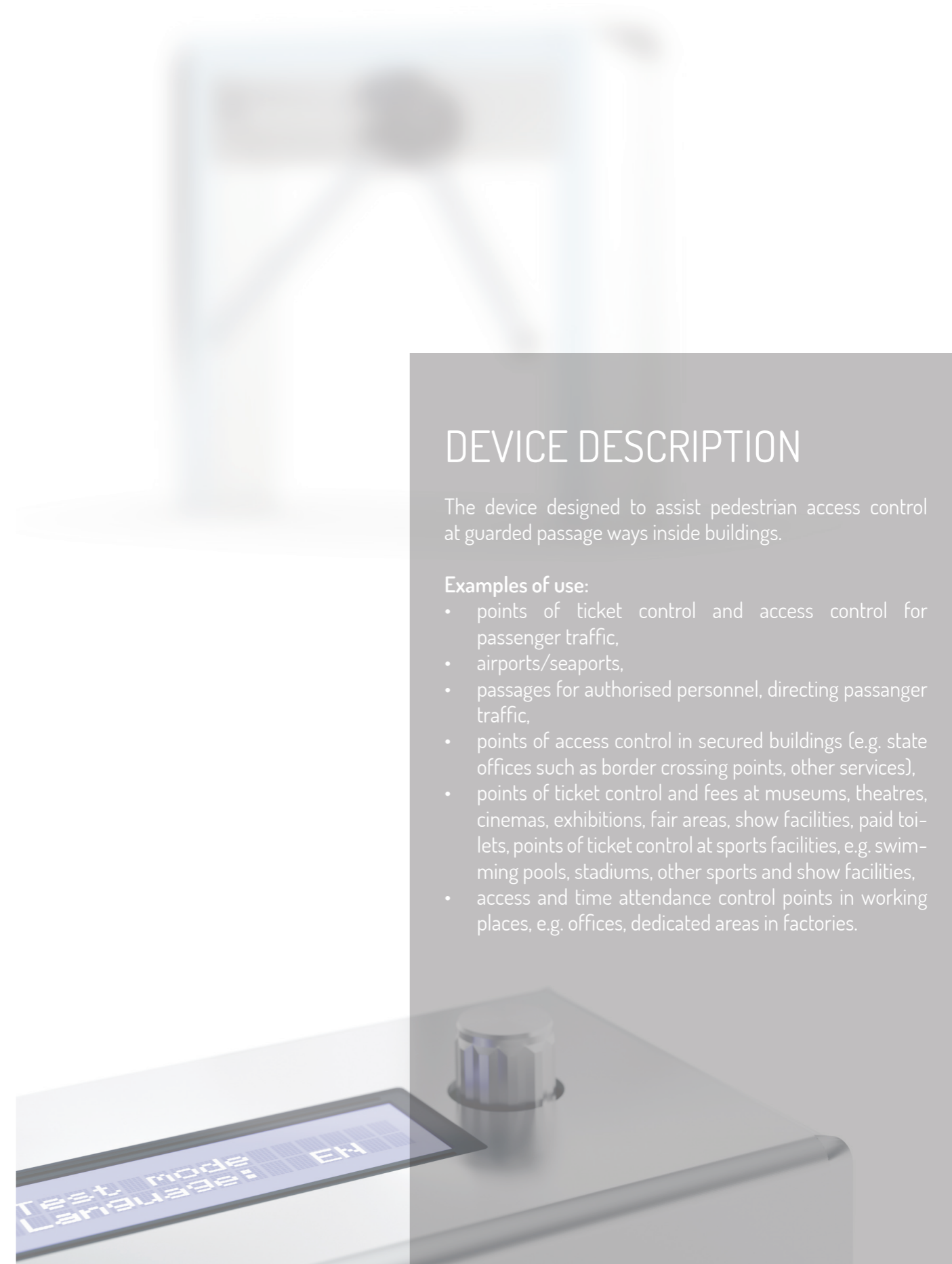


 **GASTOP**



Proven Solutions
New Version

Quick and Easy Setup



DEVICE DESCRIPTION

The device designed to assist pedestrian access control at guarded passage ways inside buildings.

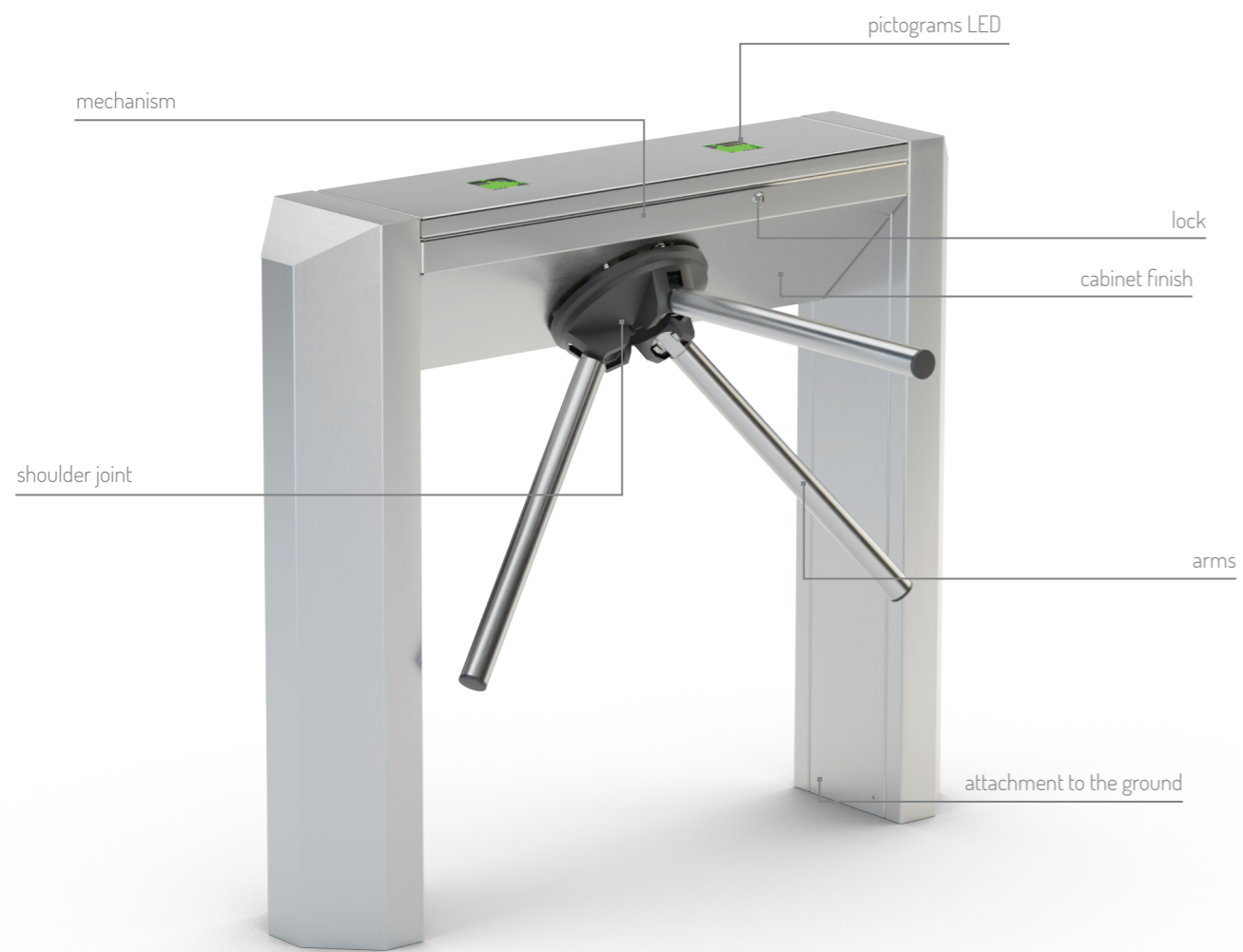
Examples of use:

- points of ticket control and access control for passenger traffic,
- airports/seaports,
- passages for authorised personnel, directing passenger traffic,
- points of access control in secured buildings (e.g. state offices such as border crossing points, other services),
- points of ticket control and fees at museums, theatres, cinemas, exhibitions, fair areas, show facilities, paid toilets, points of ticket control at sports facilities, e.g. swimming pools, stadiums, other sports and show facilities,
- access and time attendance control points in working places, e.g. offices, dedicated areas in factories.

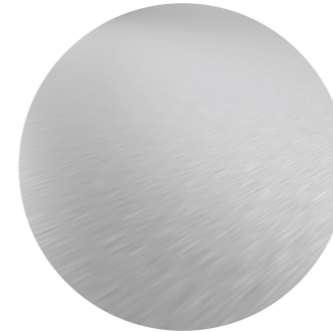


Safety has design too

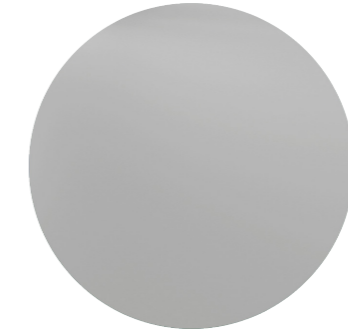
DEVICE DESCRIPTION



FINISH OPTIONS



Stainless steel - INOX AISI 304



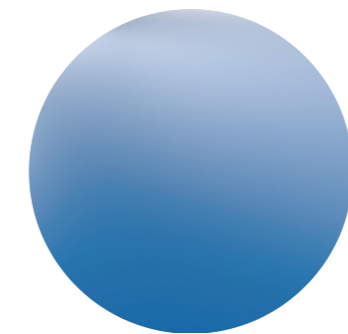
RAL 9006



RAL 7016



RAL 9003



RAL 5010



RAL 6002

Standard finish

Non-standard colour/non-standard finishing

DEVICE CONTROLLER



IMPORTANT FEATURES

QUEUE LENGTH CONFIGURATION
(SIGNAL MEMORY)

DISPLAYING OPERATION PARAMETERS /
CONFIGURATION OF WORKING MODES

LANGUAGE SELECTION

CONFIGURATION OF UNLOCKING TIME /
FEEDBACK CONFIGURATION

TEST MODE /
CALIBRATION

MAIN INPUTS / OUTPUTS

ENTRY

CARD READER

BUTTON

EXIT

CARD READER

BUTTON

INFORMATION ON THE EXECUTION OF THE TRANSITION CYCLE

FEEDBACK
(ENTRY)

FEEDBACK
(EXIT)

INPUT (LOCK)

TO LOCK
TRANSITION SECTION E.G. WITH A METAL DETECTOR OR BMS

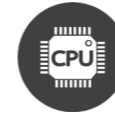
INPUT (FIRE PROTECTION)

TO UNLOCK
TRANSITION SECTION E.G. WITH A FIRE PROTECTION SYSTEM

NEW!

MODEL ZA2

VERSION WITH MOTOR



CONTROL: MAGTRONIC

The mechanism is adapted to work with the MACTRONIC electronic system enabling, among others, settings of operating modes, diagnostics, control with external systems.



MODES OF OPERATION

The device enables operation in various modes, e.g. pedestrian traffic control for both traffic directions or pedestrian traffic control for any selected traffic direction.



EASY CONFIGURATION

Operation modes and functions can be easily configured via the control panel with display and manipulator.



LED PICTOGRAMS

Visual signaling (diode pictograms) inform about the directions of possible traffic in the crossing section that are turned on and off.



PRECISE ROTOR POSITION MEASUREMENT SYSTEM

The device is equipped with an electronic rotor position measurement system, which, using an encoder, allows you to control the operation of the locking system and smooth rotor movement.



SOUND SIGNAL

The device is equipped with an acoustic signaling device activated, among others, by when forcing the rotor arm.



ASSISTING MOVEMENT OF ROTOR

The mechanism of the device is equipped with an electromechanical system supporting the rotation of the arms (motor).



LOCKING SYSTEM

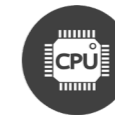
The device has a system that unlocks the device in the event of a power failure.



ARM DROP FUNCTION (ADDITIONAL OPTION)

Automatic arm drop function in case of power failure (this function is available in the device model with the arm drop module).

MODEL GA2



CONTROL: MAGTRONIC

The mechanism is adapted to work with the MACTRONIC electronic system enabling, among others, settings of operating modes, diagnostics, control with external systems.



MODES OF OPERATION

The device enables operation in various modes, e.g. pedestrian traffic control for both traffic directions or pedestrian traffic control for any selected traffic direction.



EASY CONFIGURATION

Operation modes and functions can be easily configured via the control panel with display and manipulator.



LED PICTOGRAMS

Visual signaling (diode pictograms) inform about the directions of possible traffic in the crossing section that are turned on and off.



MECHANICAL ROTOR POSITIONING

The device has a mechanical system for positioning the rotor arms.



ASSISTING MOVEMENT OF ROTOR

The mechanism of the device is equipped with a mechanical-pneumatic system supporting the rotation of the arms.



LOCKING SYSTEM

The device has a system that unlocks the device in the event of a power failure.



ARM DROP FUNCTION (ADDITIONAL OPTION)

Automatic arm drop function in case of power failure (this function is available in the device model with the arm drop module).

DEVICE MODELS

	MODEL	MECHANISM	MECHANISM	ARM DROP"DA"	COVER WITH HOLES FOR THE READER "R"
		ZA2	GA2		
WITH MOTOR	ZA2-T-INOX	•			
	ZA2-T-RAL	•			
	ZA2-T-DA-INOX	•		•	
	ZA2-T-DA-RAL	•		•	
	ZA2-T-R-INOX	•			•
	ZA2-T-R-RAL	•			•
	ZA2-T-DA-R-INOX	•		•	•
	ZA2-T-DA-R-RAL	•		•	•
	GA2-T-INOX		•		
	GA2-T-RAL		•		
	GA2-T-DA-INOX		•	•	
	GA2-T-DA-RAL		•	•	
	GA2-T-R-INOX		•		•
	GA2-T-R-RAL		•		•
	GA2-T-DA-R-INOX		•	•	•
	GA2-T-DA-R-RAL		•	•	•

ADDITIONAL OPTIONS

POSTS *

UP-1



SCM1



SW-1-ARM



CONTROL PANELS *

P1

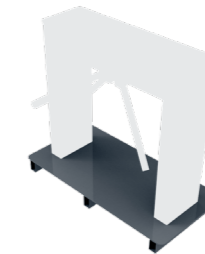


P2

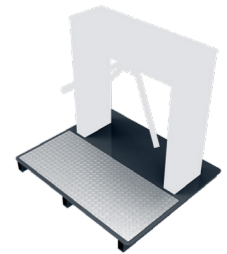


PLATFORMS *

PSN-1



PSN-2



POWER SUPPLY *



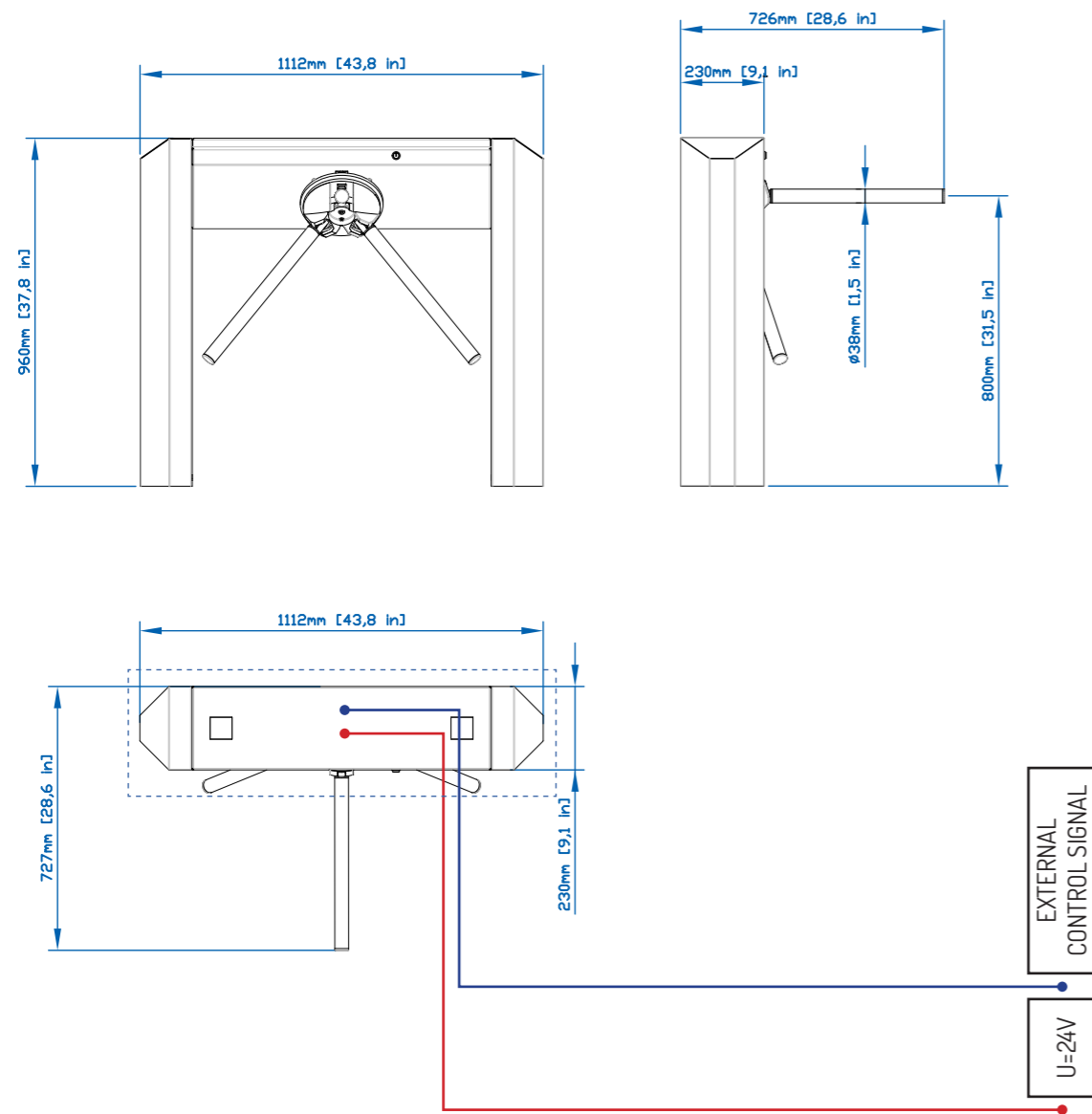
PARAMETERS

Power supply voltage:	-24 V AC	
Peak current:	70 VA	
Minimum power consumption:	3 A	
Control signal:	max. 1 sec	
Feedback signal:	0V	
Operating temperature:	-25° to +50° C [-13° to 122°F]	
Storage temperature:	-30° to +60° C [-22° to 140°F]	
Relative humidity:	10-80%	
Operating environment:	inside/outside of buildings*	
IP protection rate:	IP 40	
Net weight: - [kg/lbs]:	GA2	ZA2
	-60 / -132	-49 / -108

* - under the roof

* Optional equipment not included included in the equipment of the device.

DIMENSIONS



KEY:

- External control signal - S/UTP cable
- 24 V supply - 0MY wire 3x1,5mm
- Foundation

Notes:

All information given herein is valid at time of publication. GASTOP reserves the right to introduce changes to this offer, concerning both models as well as their construction and equipment. This document does not constitute an offer as understood by law and is published solely for the purpose of information. Optional equipment presented in this brochure may not be available. Product photos and visualizations presented herein may not accurately show technologies in use, properties of materials or colors. Please refer to an authorized distributor or directly to the device manufacturer for detailed information on the above mentioned parameters.



EU: GASTOPGROUP.COM
USA: GASTOP.US

Distributor