

unum wls

Indoor Motion Detector

Installation guide



KSI5201000.300 - PIR
KSI5201100.300 - PIR + Pet Immune

INTRODUCTION

unum wireless is a digital Dual-Optic Motion Detector available in 2 versions, with and without Pet Immunity up to 10 kg.

The Motion sensor is a dual PIR Digi Pyro™ with high Quality EvenEye™ Lens.

Thanks to the Bi-Directional wls Technology, the range selection (6 or 12 m.) and the number of impulses programmable directly from the configuration software of lares 4.0 control panel, with no need of selecting jumpers or annoying dip switches; furthermore it's possible to modify the configuration with no need to re-open it.

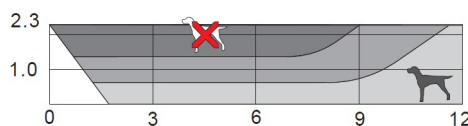
Additionally, it is possible to deactivate the PIR sensor when the system is disarmed (default setting) so as to reduce drastically the current consumption with consequent increase of the battery life.

Instead, with particular reference to Home-Automation applications, it is possible to program the PIR sensor to be always powered.

PET IMMUNITY (for KSI5201100.300)

The unum wls is designed to allow the presence of pets (10kg or lighter) without signaling an alarm. NOTE: pets come in many varieties. Some pets (especially larger ones with very short hair), even if lighter than 10kg, may produce enough infrared radiation to cause alarms. It's highly recommended to test the sensor with individual pets, in order to confirm lack of alarm.

See diagram below.



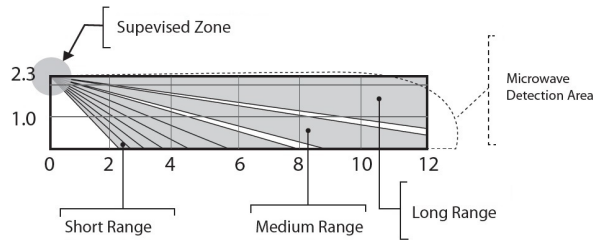
WALK TEST

The Walk-Test mode is activated every time you insert the battery and close the front cover. To enter this mode when the device is already installed, you have to open the front cover, disconnect the battery then reverse the procedure (insert the battery and close the front cover). During the Walk-Test, which has a

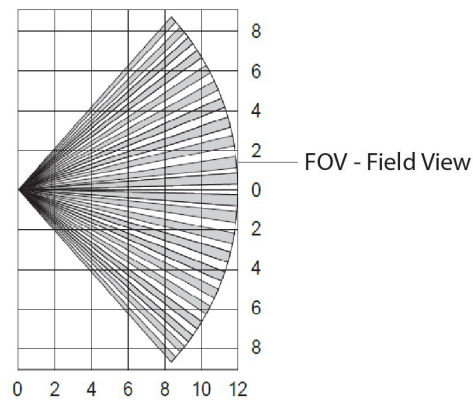
duration of 10 minutes, unum will detect movements within the view pattern, signaling them with flashing of the LED, with an interval of at least 3 seconds between each flash and the next. The status information is transmitted to the lares Integrated Panel every 30 seconds.

COVERAGE DIAGRAM

Optical view pattern side view in meters

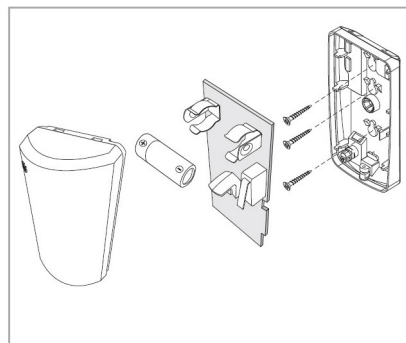


Optical view pattern top view in meters

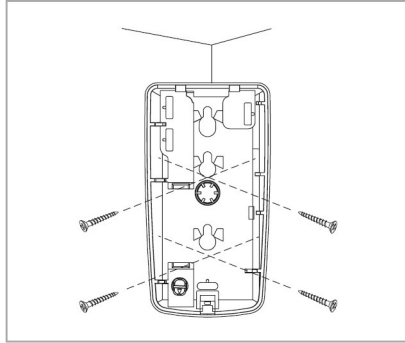


INSTALLATION

Wall installation

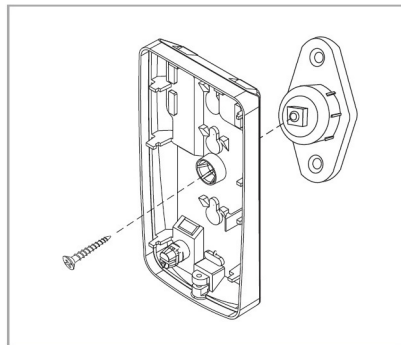


Corner installation



Bracket installation

Note: In order to maintain the compliance with the law, the detector has to be installed by using the screw for the tear-proof tamper and without the bracket.

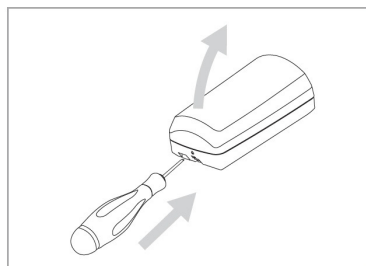


- The sensor have to be mounted at 2.3m height from the floor.
- The base of the sensor should be fixed to the vertical wall ($\pm 2^\circ$).
- The bracket should be fixed on a semi-vertical surface ($\pm 15^\circ$).
- The sensor should be placed on the bracket in vertical position ($\pm 2^\circ$).
- Do not install less than 30cm away from windows and/or reflected light.
- Do not install near heat sources.
- The glass blocks the view of the PIR sensor.
- Leave clear line-of-sight from sensor to monitored area.

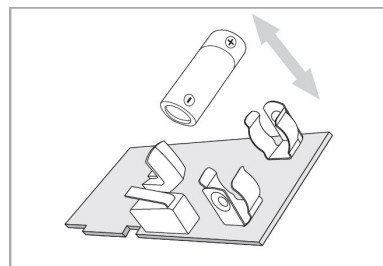
Note: All fixing devices required for the proper installation are included in the package.

REPLACING THE BATTERY

Open the front cover



Replace the battery



Note: temperatures below +5 °C can cause the unum to report a false low battery indication. Operation below +5 °C will reduce the battery life significantly.

Caution! Observe the correct polarity when installing battery. Use only Panasonic Lithium CR-123A batteries for replacement. Risk of explosion if the battery is replaced by an incorrect type.

Warning! Battery may explode if mistreated. Do not recharge, disassemble or dispose of in fire. Dispose of used batteries according to the instructions.

ENROLLING

- Activate the Enroll mode from the lares 4.0 control panel.
- Remove the battery-contact insulator.
- Close the front cover.
- For more details about software settings, please refer to the lares 4.0 Programming Manual.

TECHNICAL DATA

- IR Sensor: Dual Element Digi Pyro
- Power: 1 CR123A Lithium battery included for a maximum battery life up to 4 years
- RF immunity: 20 V/m, 10-1000 MHz; 10 V/m, 1-2 GHz
- White Light Immunity: 6500 lux
- Sensitivity: adjustable at 2 or 3 impulses
- Coverage: adjustable from software or Keypad at 6 or 12 m. range
- Operational Frequency: 868 MHz
- Open Air Range: up to 400 m
- Operative Temperature Range: from +5 °C to +40 °C
- Materials: Base: ABS; Front: HDPE
- Dimensions: 113 x 60 x 45 mm (h x w x d)
- Weight: 104 g

QUANTITY DATA

| lares 4.0 models | wls 96 | 16 | 40 | 40 wls | 140 wls | 644 wls |
|------------------------------------|--------|----|----|--------|---------|---------|
| Maximum number of unum wls sensors | 32 | 16 | 40 | 40 | 64 | 64 |

Technical data, appearance, functionality and other product characteristics may change without notice.

CERTIFICATIONS

CERTIFICATIONS
 Europe - RoHS, CE
 EN50131 Grade 2 - Class II
 T031:2014
 SSF 1014 Larmklass R

